

[Select Vehicle](#) | [New TSBs](#) | [Technician's Reference](#)Component Search: 

OK

[Conversion Calculator](#)**2002 Volvo S60 2.4 L5-2.4L VIN 61 B5244S**[Vehicle Level](#) → [Brakes and Traction Control](#) → [Disc Brake System](#) → [Brake Pad](#) → [Service and Repair](#) → [Brake Pads, Front, Replacing](#) ←

## Brake Pads, Front, Replacing

[Notes](#)

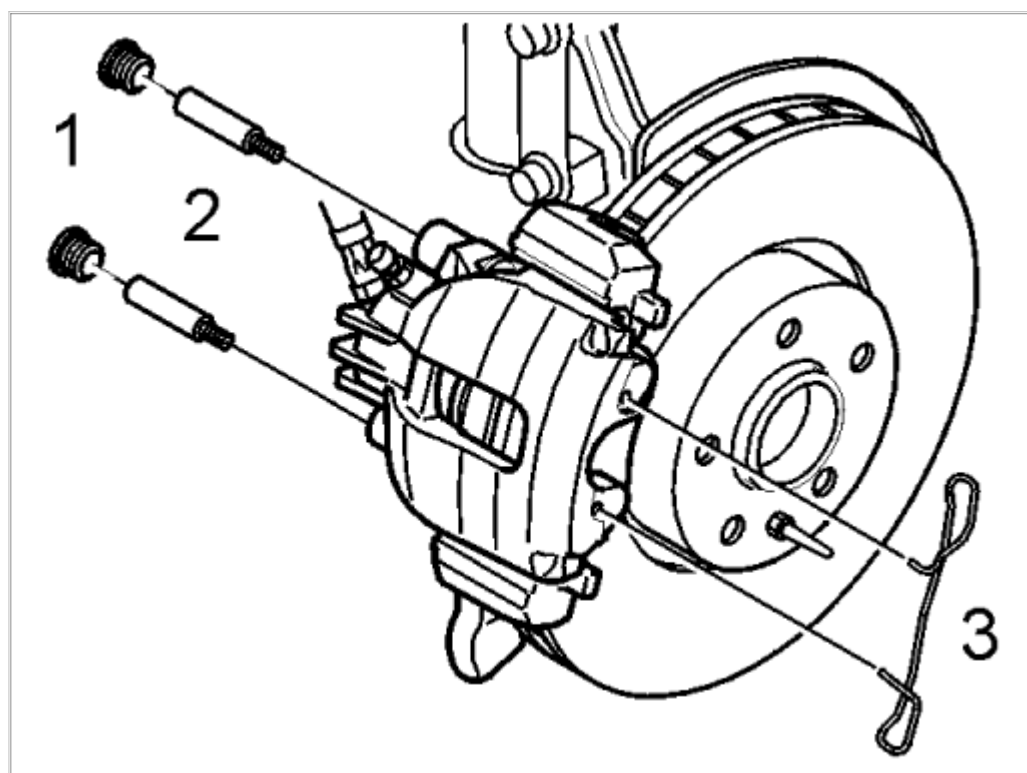
### Brake Pads, Front, Replacing

#### Removal

**NOTE:** Minimum thickness for replacing the brake pads = **3.0 mm** .

**Remove the securing spring and locating pins**

**Remove:**



Zoom

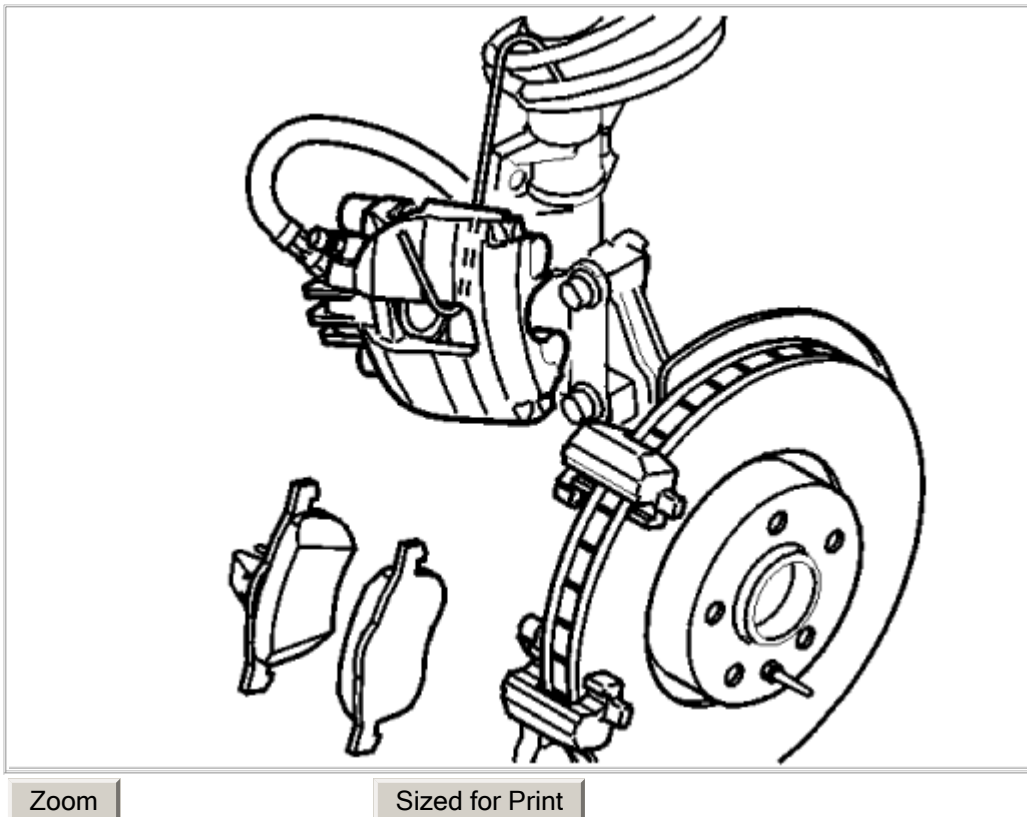
Sized for Print

- the securing spring (3) carefully so that it does not deform
- the protective caps (1) from the two locating pins (2)

- the locating pins, use hex socket 7 mm .

### Remove the [brake caliper](#) and brake pads

Remove:

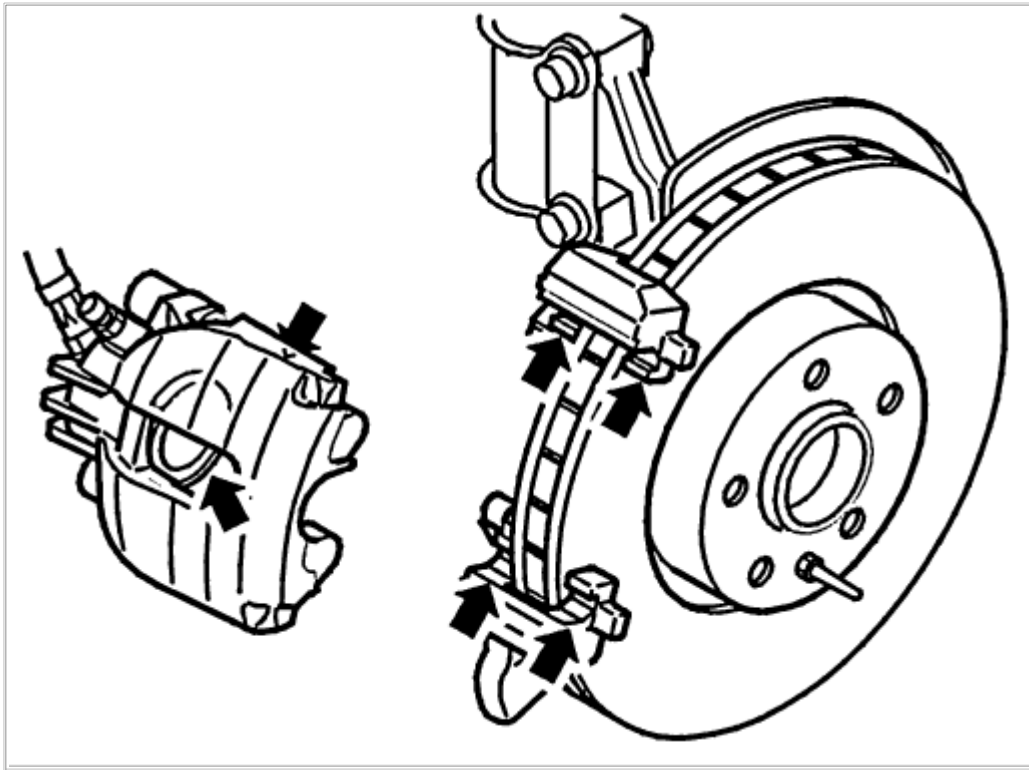


- the [brake caliper](#) from the holder
- the brake pads.

Hang [brake caliper](#) from a steel wire from the front spring so as not to damage brake hose.

**NOTE:** Do not depress the brake pedal while the brake pads are removed.

**Clean and check [brake caliper](#) and dust cover**



Zoom

Sized for Print

© 2008 ALldata LLC. All rights reserved.

[Terms of Use](#)

[Select Vehicle](#) | [New TSBs](#) | [Technician's Reference](#)

Component Search:

OK

[Conversion Calculator](#)**2002 Volvo S60 2.4 L5-2.4L VIN 61 B5244S**[Vehicle Level](#) → [Brakes and Traction Control](#) → [Disc Brake System](#) → [Brake Pad](#) → [Service and Repair](#) → [Brake Pads, Rear, Replacing](#) ←

## Brake Pads, Rear, Replacing

[Notes](#)

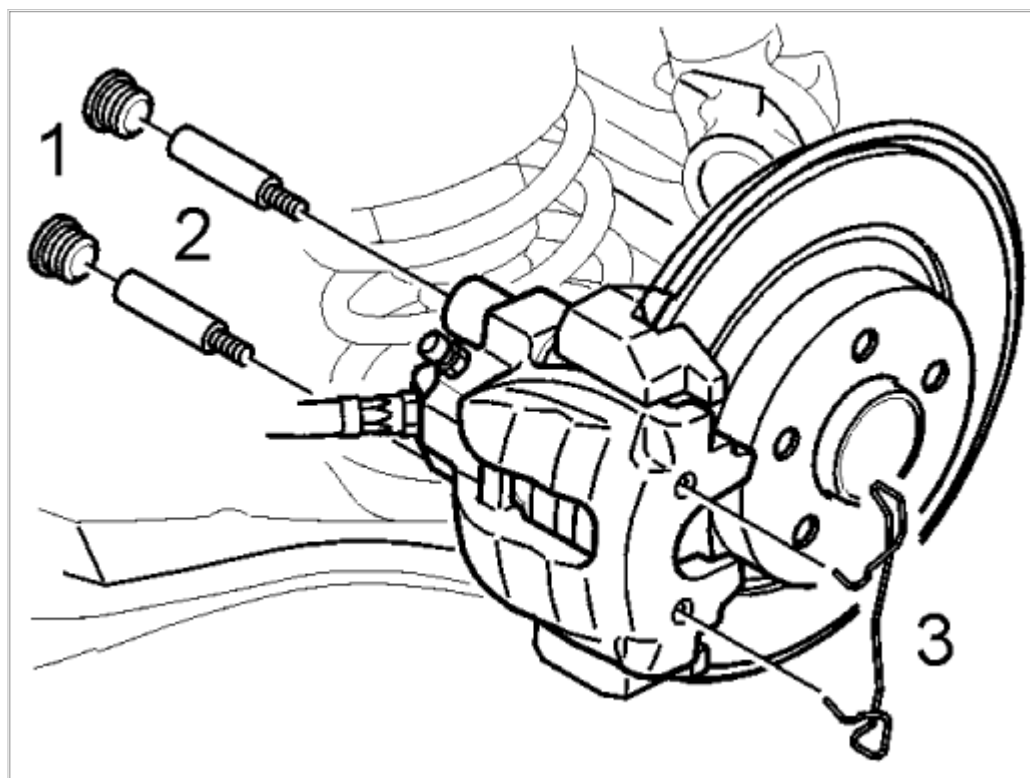
### Brake Pads, Rear, Replacing

#### Removal

**NOTE:** Minimum thickness for replacing the brake pads = **3.0 mm** .

**Remove retaining springs and locating pins for brake pads**

**Remove:**



Zoom

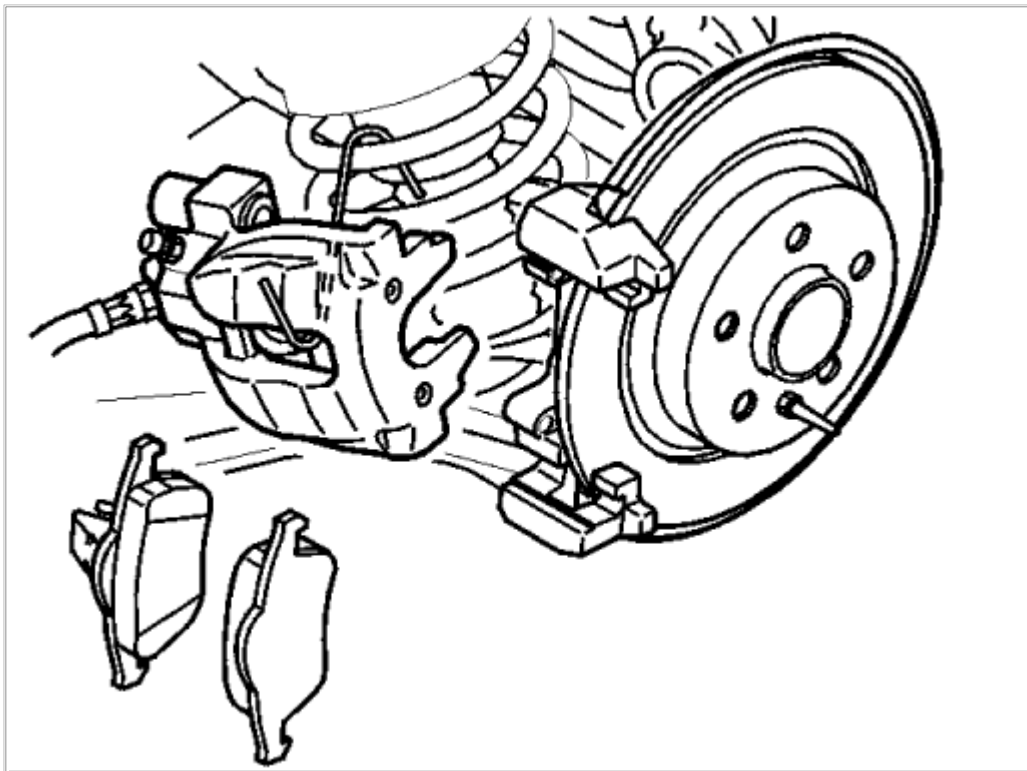
Sized for Print

- the securing spring (3) carefully so that it does not deform
- the protective caps (1) from the two locating pins (2)

- the locating pins, use hex socket 7 mm .

### Remove the [brake caliper](#) and brake pads

Remove:



Zoom

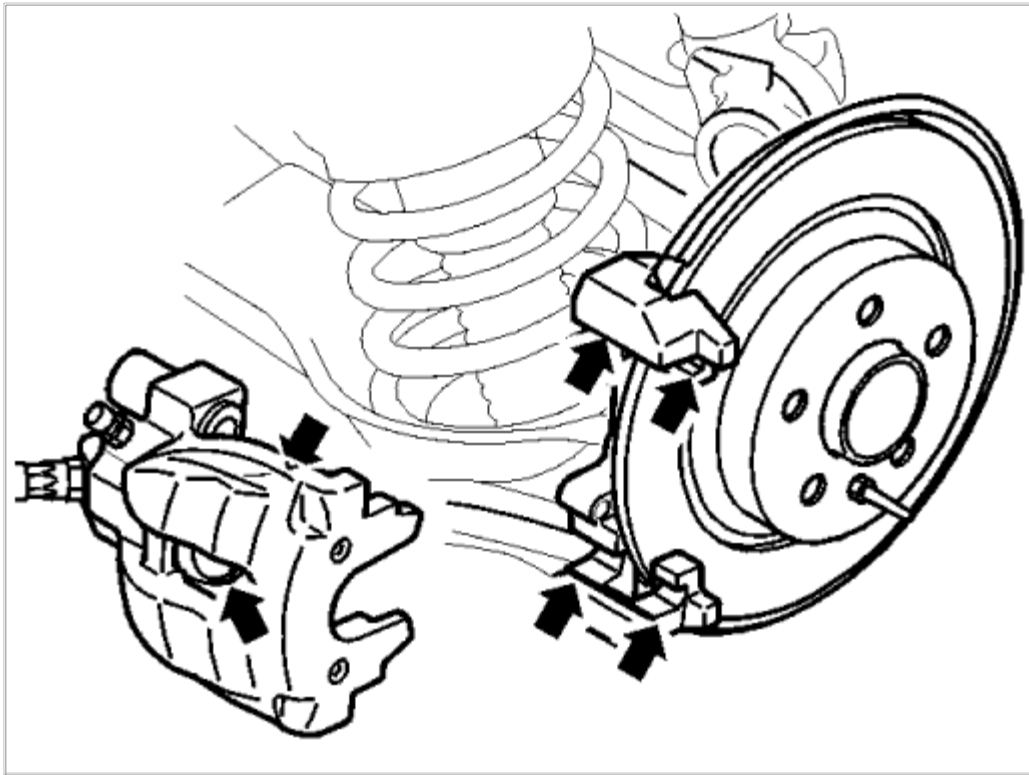
Sized for Print

- the [brake caliper](#) from the holder
- the brake pads.

Hang [brake caliper](#) from a steel wire from the spring so as not to damage brake hose.

**NOTE:** Do not depress brake pedal while brake pad is removed.

**Clean and check [brake caliper](#) and dust cover**



Zoom

Sized for Print

© 2008 ALldata LLC. All rights reserved.

[Terms of Use](#)