

[Select Vehicle](#) | [New TSBs](#) | [Technician's Reference](#)

Component Search:

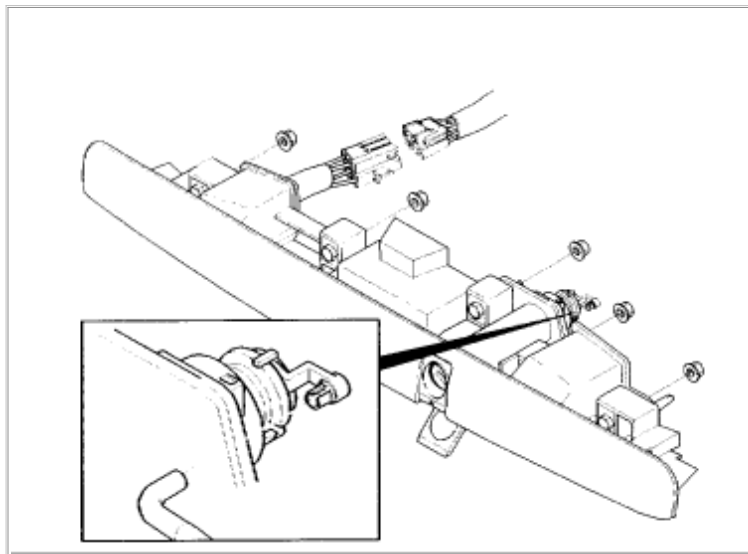
OK

 [Conversion Calculator](#)**1998 Volvo S70 L5-2.4L VIN 55 B5254S**[Vehicle Level](#) → [Body and Frame](#) → [Doors, Hood and Trunk](#) → [Trunk / Liftgate Lock](#) → [Service and Repair](#) →
[Trunk/Liftgate Lock Cylinder](#) ←

Trunk/Liftgate Lock Cylinder

[Notes](#)

CA3. Handle

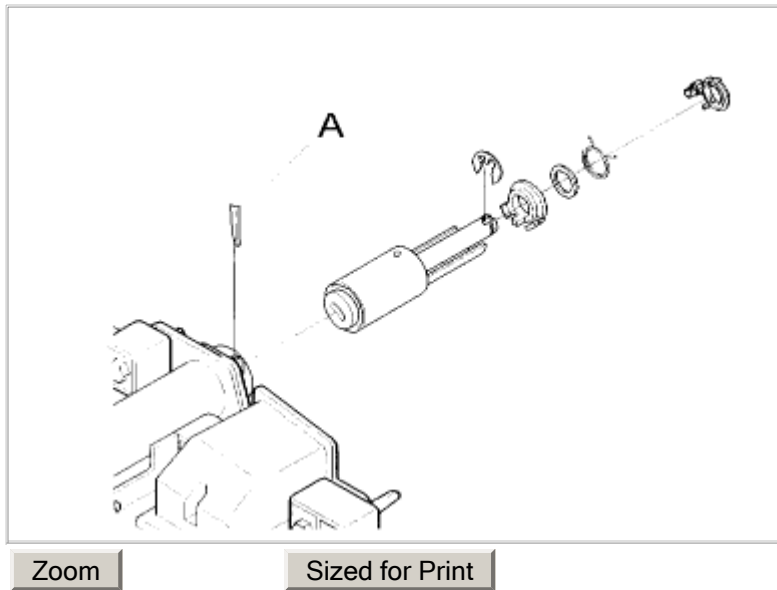


Zoom

Sized for Print

10 mm (0.4 in.), M6 nuts.

CA4. Lock Cylinder



Pull out pin (A) to remove the lock cylinder.

© 2008 ALldata LLC. All rights reserved.
[Terms of Use](#)

[Select Vehicle](#) | [New TSBs](#) | [Technician's Reference](#)

Component Search:

OK

 Conversion Calculator**1998 Volvo S70 L5-2.4L VIN 55 B5254S**[Vehicle Level](#) → [Body and Frame](#) → [Doors, Hood and Trunk](#) → [Trunk / Liftgate Lock](#) → [Service and Repair](#) →
[Replacing Trunk Lid Lock Unit, Switch or Motor \(4-Door\)](#) ←

Replacing Trunk Lid Lock Unit, Switch or Motor (4-Door)

[Notes](#)

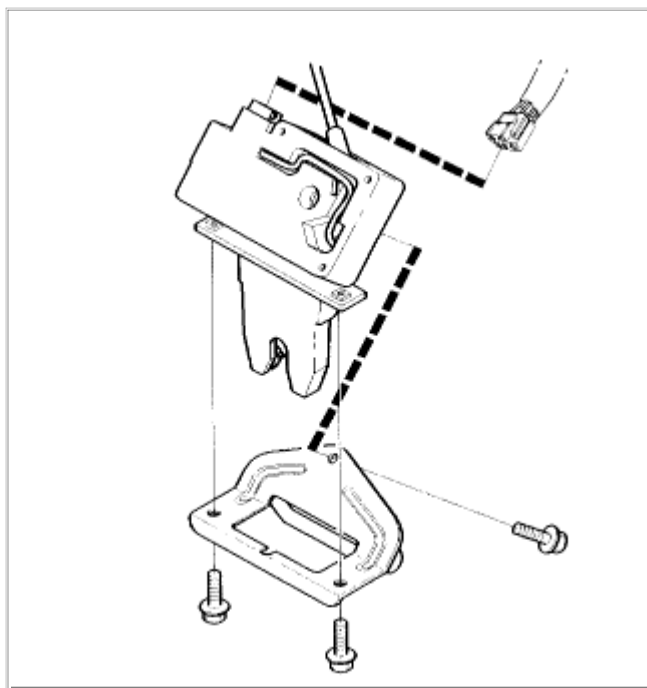
ZZB1. Removing trunk lid lock unit (4-door)

Remove lock unit, See below CA5.

ZZB2. Installing trunk lid lock unit (4-door)

Install lock unit by reverse procedure

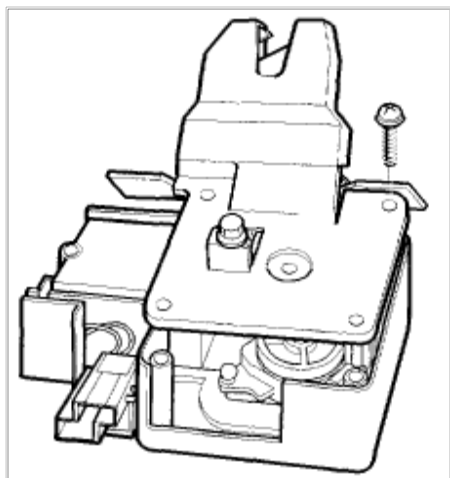
CA5. Lock Unit



Zoom

Sized for Print

ZZB3. Removing Lock Unit Switch (4-door)

[Zoom](#)[Sized for Print](#)

Remove:

lock unit.

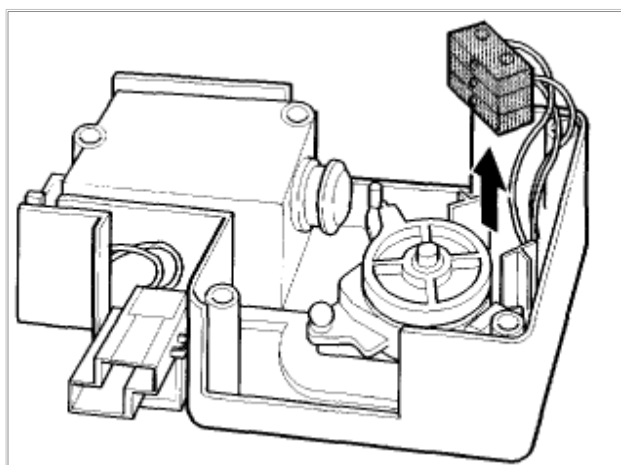
Remove cable from the slot on the reverse. Switch up.

Remove connector and pull out wiring. Note position of wiring in switch.

Remove pins from the switch.

Remove switch with cable.

ZZB4. Installing Lock Unit Switch (4-door)

[Zoom](#)[Sized for Print](#)

Install:

Install switch and cable through hole.

Note the position of the switch.

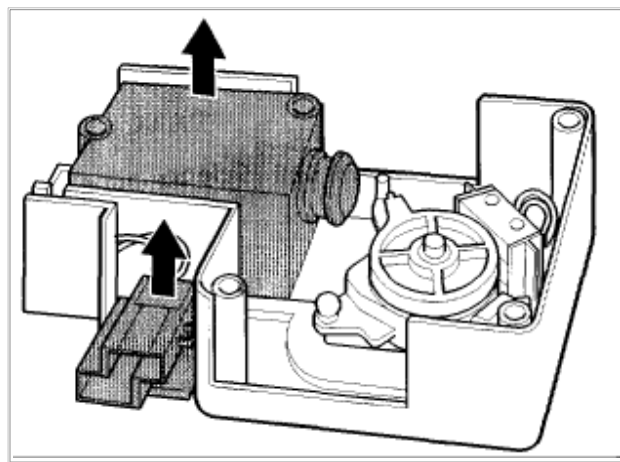
Route cable to connector.

Insert pins in connector

Install switch in mounting.

cable in slot on reverse.
cover.
lock unit..

ZZB5. Removing Lock Unit Motor (4-door)



Zoom

Sized for Print

Remove:

lock unit.
cover.
Motor up.
switch from mounting.
pins from the connector.
Note position of wiring in switch.
motor with cable.

ZZB6. Installing Lock Unit Motor (4-door)

Install:

pins in switch.
Note position of wiring in switch.
motor.
cable in slot on reverse.
cover.
lock unit.