

[Select Vehicle](#) | [New TSBs](#) | [Technician's Reference](#)Component Search:

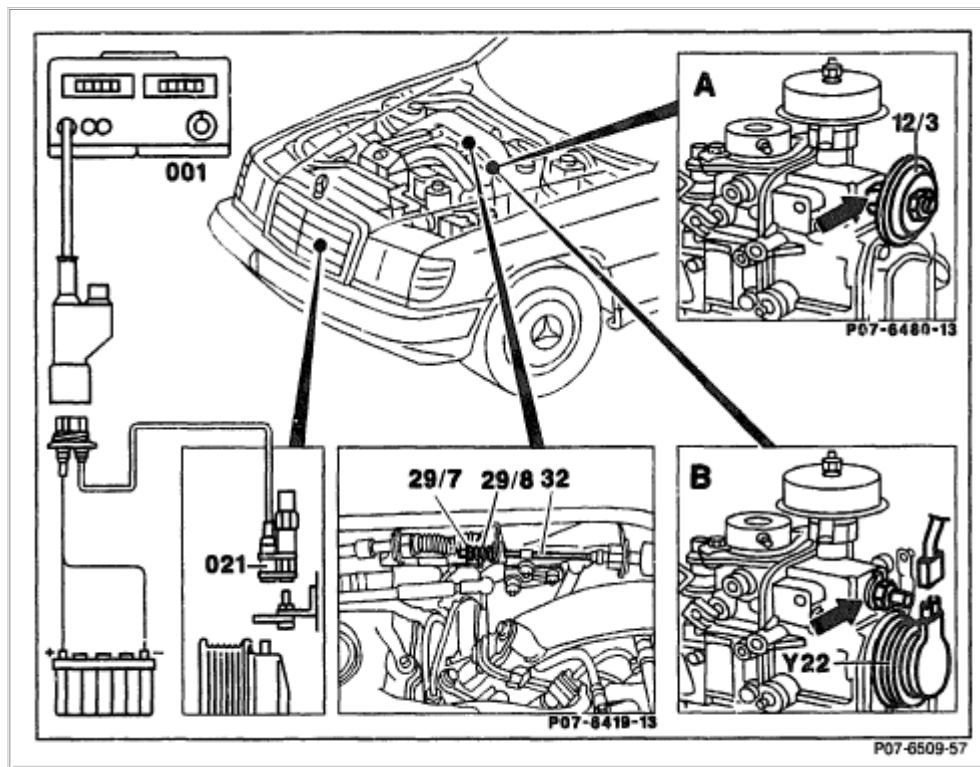
OK

[Conversion Calculator](#)**1995 Mercedes Benz E 300 (124 Chassis) L6-2985cc 3.0L DSL DOHC (606)**[Vehicle Level](#) → [Powertrain Management](#) → [Fuel Delivery and Air Induction](#) → [Adjustments](#) → [Testing, Adjusting Idle Speed](#) ←

Testing, Adjusting Idle Speed

[Notes](#)

Testing, adjusting [idle speed](#)

[Zoom](#)[Sized for Print](#)

A Engine 605.911
B Engine 606.910

Connect digital tester (001), TDC pulse generator (021).

Check accelerator control for ease of movement.

Check [idle speed](#) stop at Bowden cable (32); the dished washer (29/7) must be resting free of tension against the compression spring (29/8). If necessary, adjust Bowden cable from inside car.

Warm engine up to coolant temperature of **60 - 80°C** .

Engine 605.911 with pneumatic [idle speed](#) increase (PLA)

Check [idle speed](#); adjust if necessary by turning the vacuum unit (12/3). To do this, slacken lock nut (arrow). Refer to table for test data.

Engine 606.910 with electronic Idle speed control (ELR)

Unplug 2-pin coupling of ELR actuator (22).

Check [idle speed](#); adjust if necessary. To do this, slacken lock nut (arrow) and turn adjusting bolt (ring wrench). Refer to table for test data.

To the left: higher engine speed

To the right: lower engine speed

All models

Check smooth engine running.

Operate service brake.

Move selector lever into drive position.

Switch on AC compressor.

Turn power steering to full lock.

Engine must continue to run smoothly when this is done.

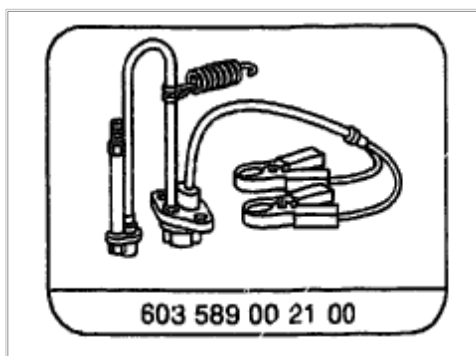
Test and adjustment data

Engine	Idle speed [rpm]		
	Pneumatic idle speed increase	Electronic idle speed control (ELR)	
		with control	without control, connector at actuator unplugged
605.911	650-750	-	-
606.910	-	580-680	530-610

Zoom

Sized for Print

Special tool



Zoom

Sized for Print

Commercially available tools and testers

Designation	e.g. Make, order no.
Digital tester	Firma Bosch, MOT 002.01 Firma Sun, DIT 9000

[Zoom](#)[Sized for Print](#)

© 2008 ALldata LLC. All rights reserved.

[Terms of Use](#)