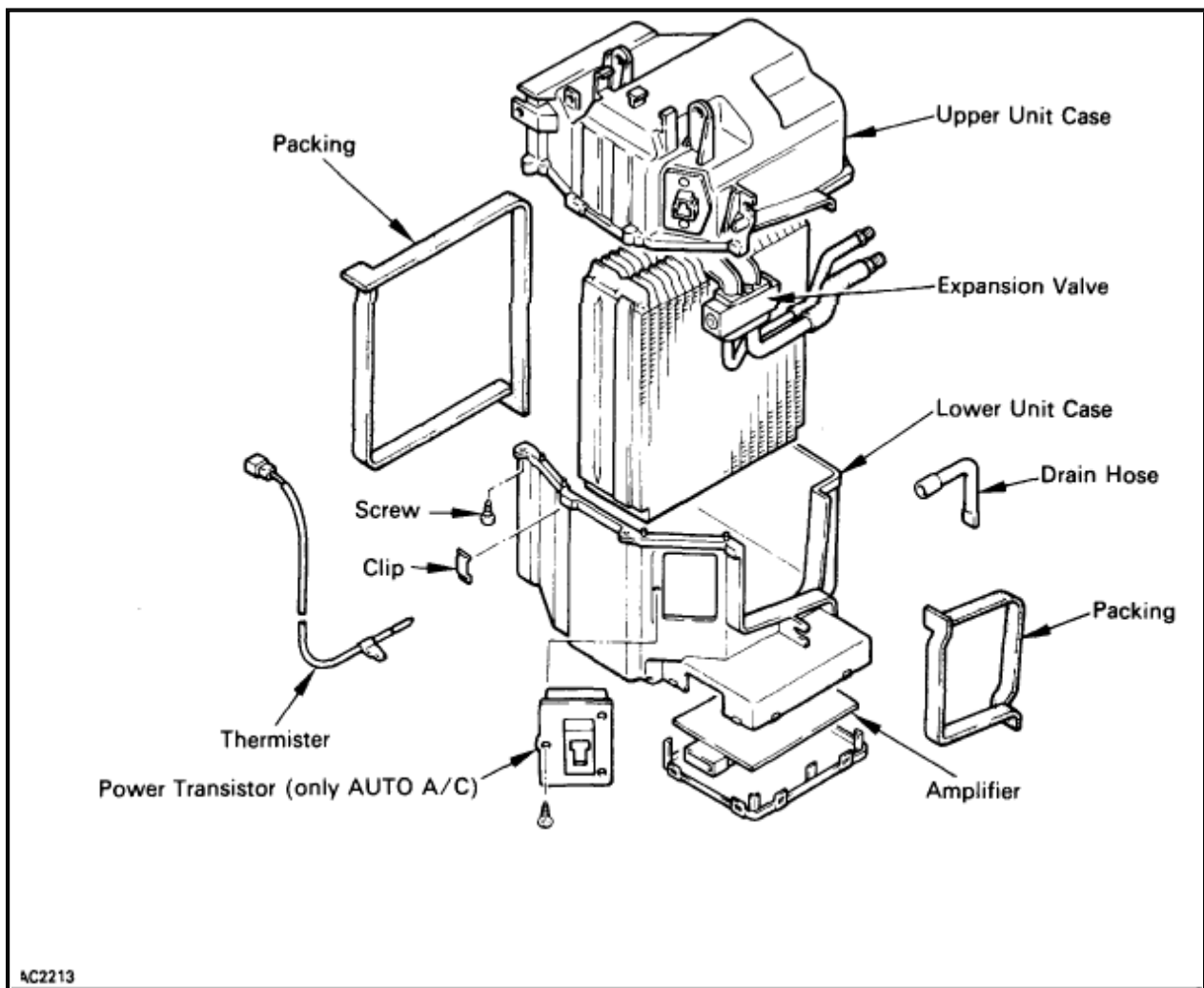


Zoom

Sized for Print

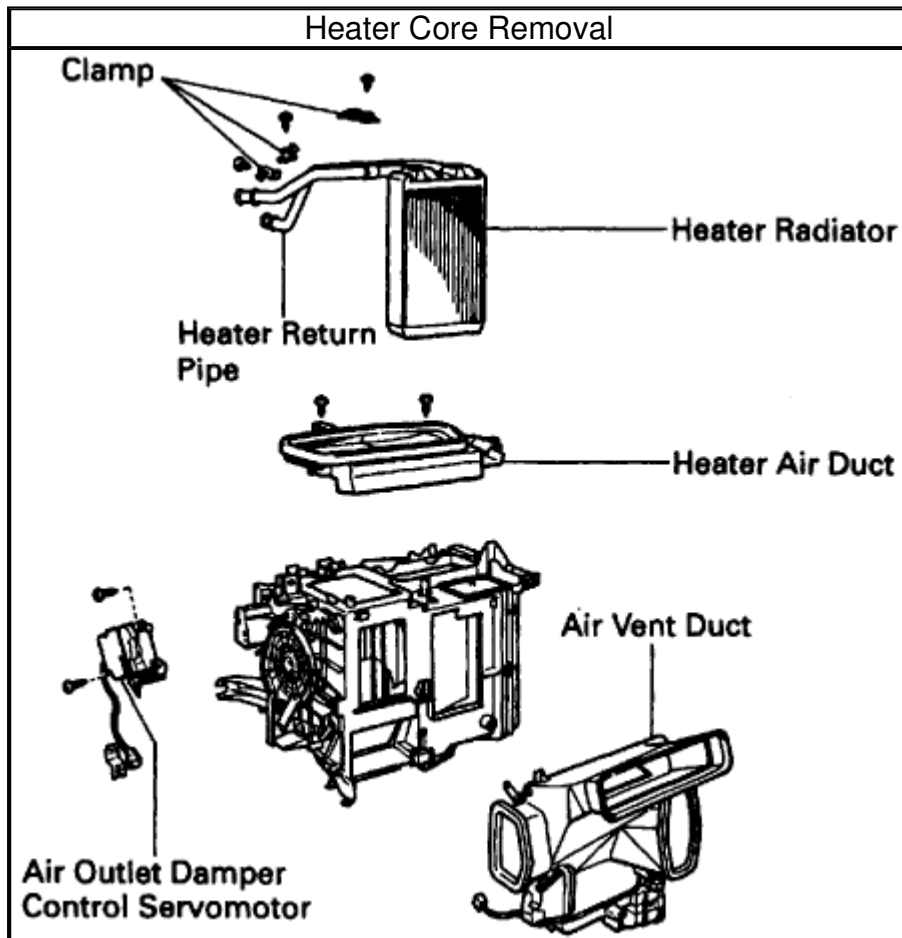


Zoom

Sized for Print

1. Disconnect negative cable from battery.
2. Recover refrigerant from refrigeration system
3. Disconnect suction tube from cooling unit outlet fitting.

4. Disconnect liquid tube from cooling unit in let fitting. **NOTE:** Cap the open fittings immediately to keep moisture out of the system.
5. Remove grommets from inlet and outlet fittings.
6. Remove glove box and reinforcement.
7. Disconnect connectors.
8. Remove three nuts and four bolts remove cooling unit.
9. Drain engine coolant from [radiator](#).
10. Disconnect water hoses from heater unit.
11. Remove pipe grommets.
12. Disconnect heater unit connector and remove wire harness.
13. Remove four retaining nuts and the heater unit.



Zoom

Sized for Print

14. Remove heater air duct from heater unit.
15. Remove heater core pipe clamps and pull out heater core with return pipe.
16. Reverse procedure to install.