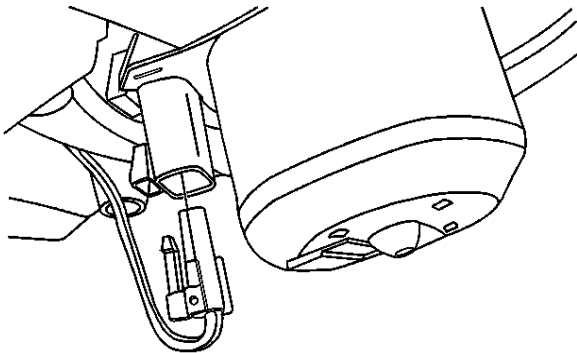


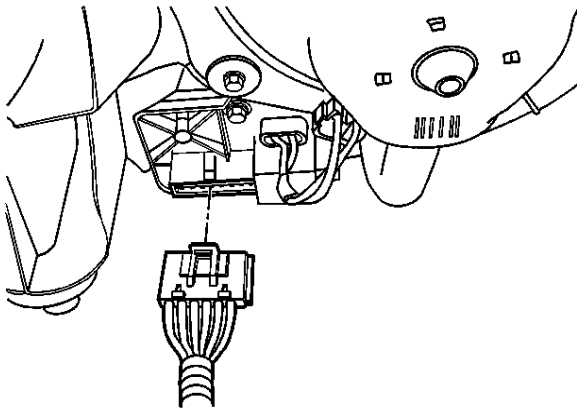
Blower Motor Control Processor Replacement

Removal Procedure

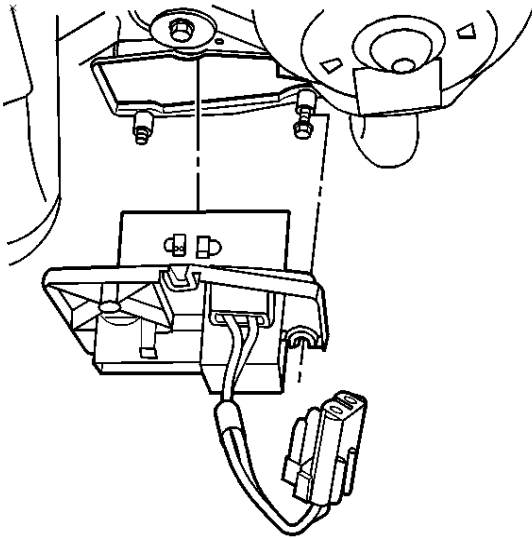
1. Remove the right side I/P insulator. Refer to [Closeout/Insulator Panel Replacement - Right](#) in Instrument Panel, Gages and Console.



2. Disconnect the blower motor electrical connector.
3. Remove the blower motor mounting screws.
4. Remove the blower motor from the HVAC module assembly.

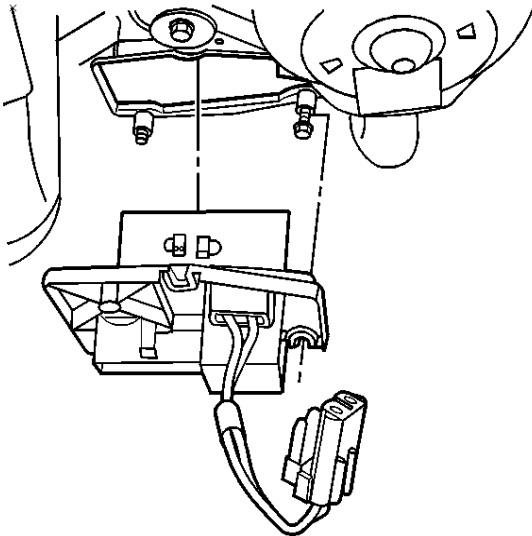


5. Disconnect the electrical connector from the blower motor control processor assembly.
6. Remove the forward blower control processor mounting screws.
7. Remove the rearward blower control processor mounting screw.



8. Remove the blower control processor assembly from the HVAC module assembly.

Installation Procedure



1. Install the blower motor control processor assembly to the HVAC module assembly.

Notice

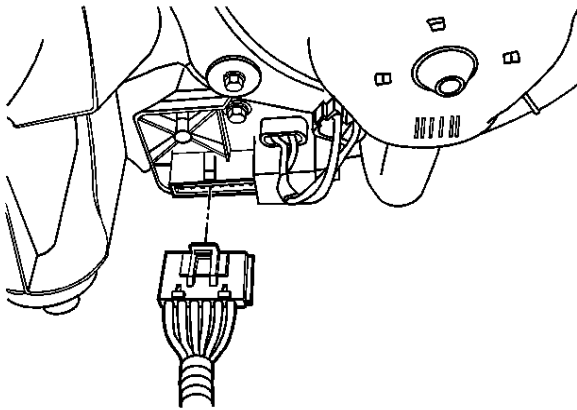
Use the correct fastener in the correct location. Replacement fasteners must be the correct part number for that application. Fasteners requiring replacement or fasteners requiring the use of thread locking compound or sealant are identified in the service procedure. Do not use paints, lubricants, or corrosion inhibitors on fasteners or fastener joint surfaces unless specified. These coatings affect fastener torque and joint clamping force and may damage the fastener. Use the correct tightening sequence and specifications when installing fasteners in order to avoid damage to parts and systems.

2. Install the rearward mounting screw. **Tighten**

Tighten the screw to 1.8 N·m (16 lb in).

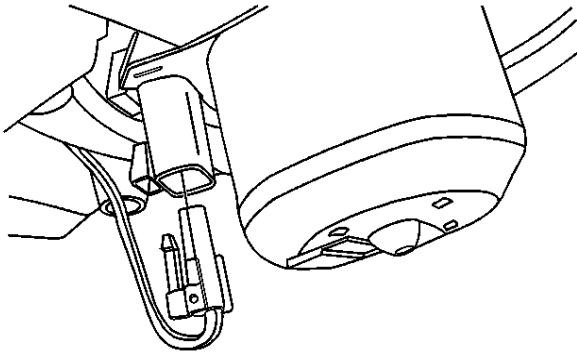
3. Install the forward mounting screws. **Tighten**

Tighten the screws to 1.8 N·m (16 lb in).



4. Connect the electrical connector to the blower control processor assembly.
5. Install the blower motor to the HVAC module assembly.
6. Install the blower motor mounting screws. **Tighten**

Tighten the screws to 1.8 N·m (16 lb in).



7. Connect the blower motor electrical connector.
 8. Install the right side I/P insulator. Refer to [Closeout/Insulator Panel Replacement - Right](#) in Instrument Panel, Gages and Console.
-