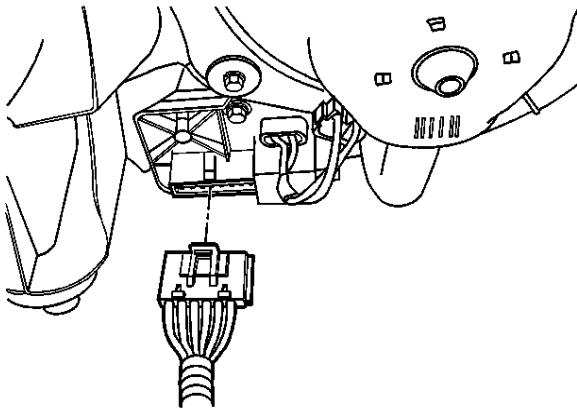


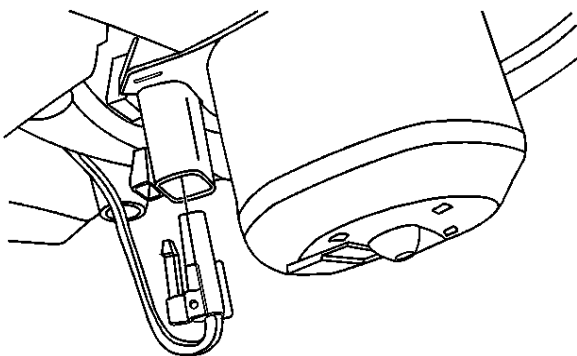
# Blower Motor Resistor Replacement

## Removal Procedure

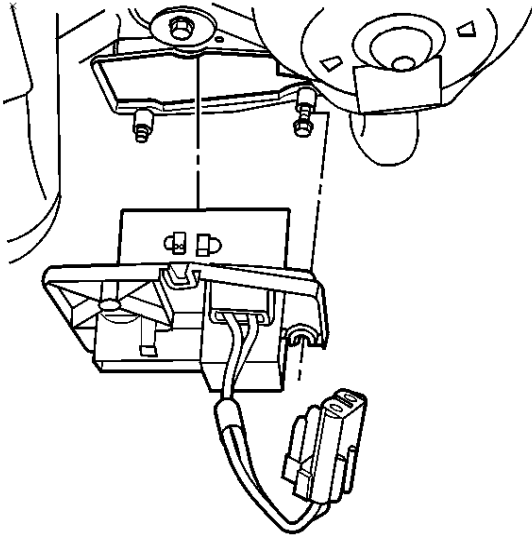
1. Disconnect the battery negative cable. Refer to [Battery Negative Cable Disconnect/Connect Procedure](#) in Engine Electrical.
2. Remove the right side instrument panel insulator. Refer to [Insulator Replacement - Instrument Panel \(I/P\)](#) in Instrument Panel, Gauges and Console.



3. Disconnect the electrical connectors from the blower motor resistor.

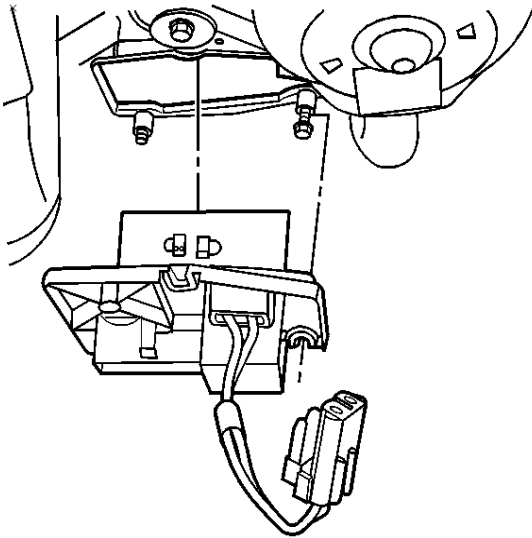


4. Disconnect the blower motor resistor electrical connector from the blower motor.



5. Loosen, do not remove, both forward screws. The blower motor resistor opening is slotted as access is extremely limited.
6. Remove the rearward screw.
7. Remove the blower motor resistor.

**Installation Procedure**



1. Install the blower motor resistor.

**Notice**

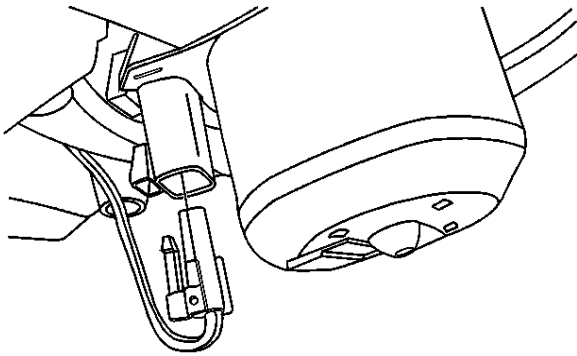
Use the correct fastener in the correct location. Replacement fasteners must be the correct part number for that application. Fasteners requiring replacement or fasteners requiring the use of thread locking compound or sealant are identified in the service procedure. Do not use paints, lubricants, or corrosion inhibitors on fasteners or fastener joint surfaces unless specified. These coatings affect fastener torque and joint clamping force and may damage the fastener. Use the correct tightening sequence and specifications when installing fasteners in order to avoid damage to parts and systems.

2. Install the rearward bolt. **Tighten**

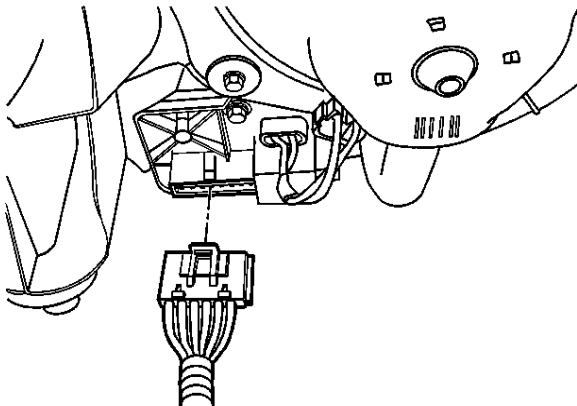
Tighten the blower motor resistor bolt to 1.5 N·m (13 lb in).

3. Install both forward bolts. **Tighten**

Tighten the blower motor resistor bolts to 1.5 N·m (13 lb in).



4. Connect the electrical connector to the blower motor.



5. Connect the electrical connector to the blower motor resistor.
  6. Install the right side instrument panel insulator. Refer to [Insulator Replacement - Instrument Panel \(I/P\)](#) in Instrument Panel, Gauges and Console.
  7. Connect the battery negative cable. Refer to [Battery Negative Cable Disconnect/Connect Procedure](#) in Engine Electrical.
-