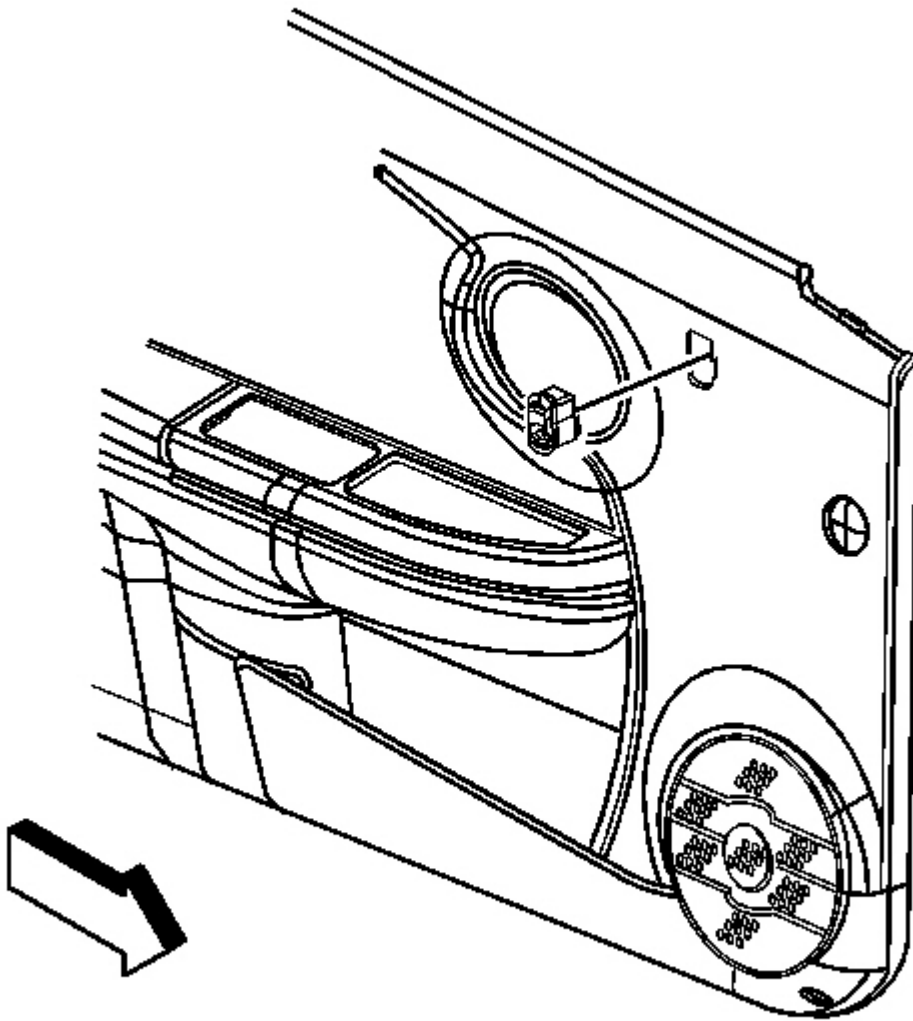


## POWER DOOR LOCK SWITCH REPLACEMENT

### Removal Procedure

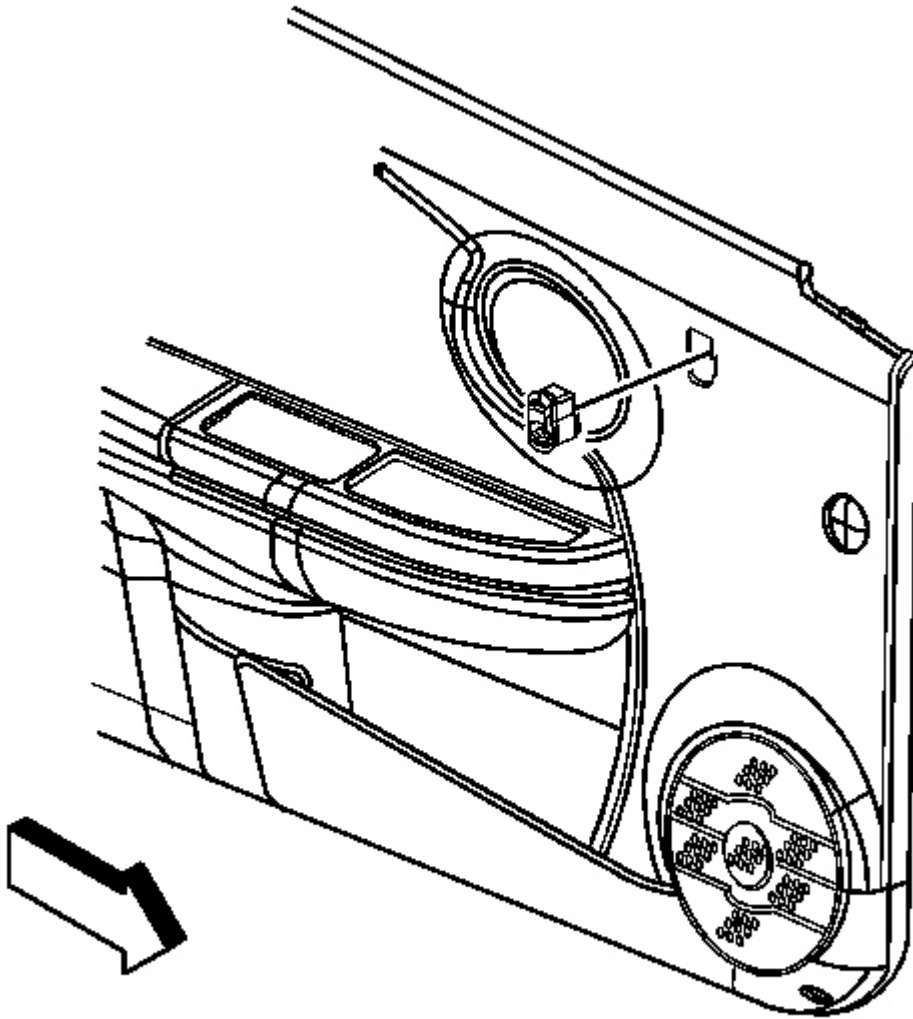


**Fig. 28: View Of Power Door Lock Switch**  
Courtesy of GENERAL MOTORS CORP.

1. Using a flat-bladed tool, pry the switch from the door trim panel enough to expose the locking tabs.
2. Press the locking tab to remove the lock switch from the door trim panel.
3. Disconnect the electrical connector.

4. Remove the door lock switch.

**Installation Procedure**



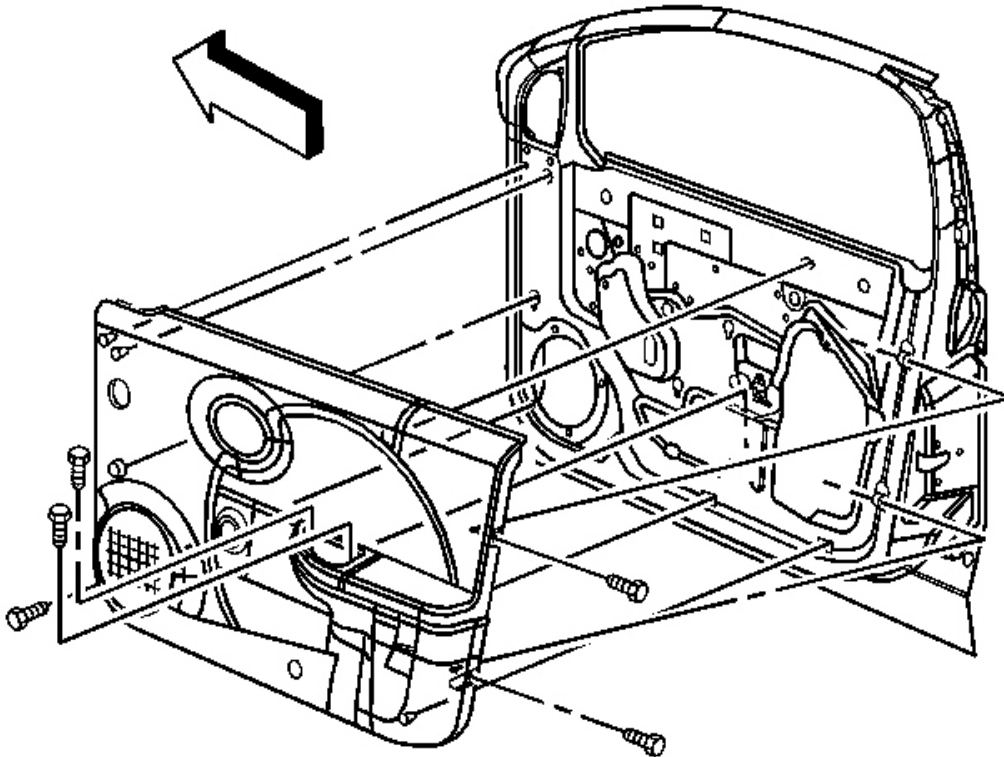
**Fig. 29: View Of Power Door Lock Switch**  
Courtesy of GENERAL MOTORS CORP.

1. Connect the electrical connector.
2. Position the door lock switch in the door trim panel.
3. Install the door lock switch pressing in until fully seated.

## POWER MIRROR SWITCH REPLACEMENT

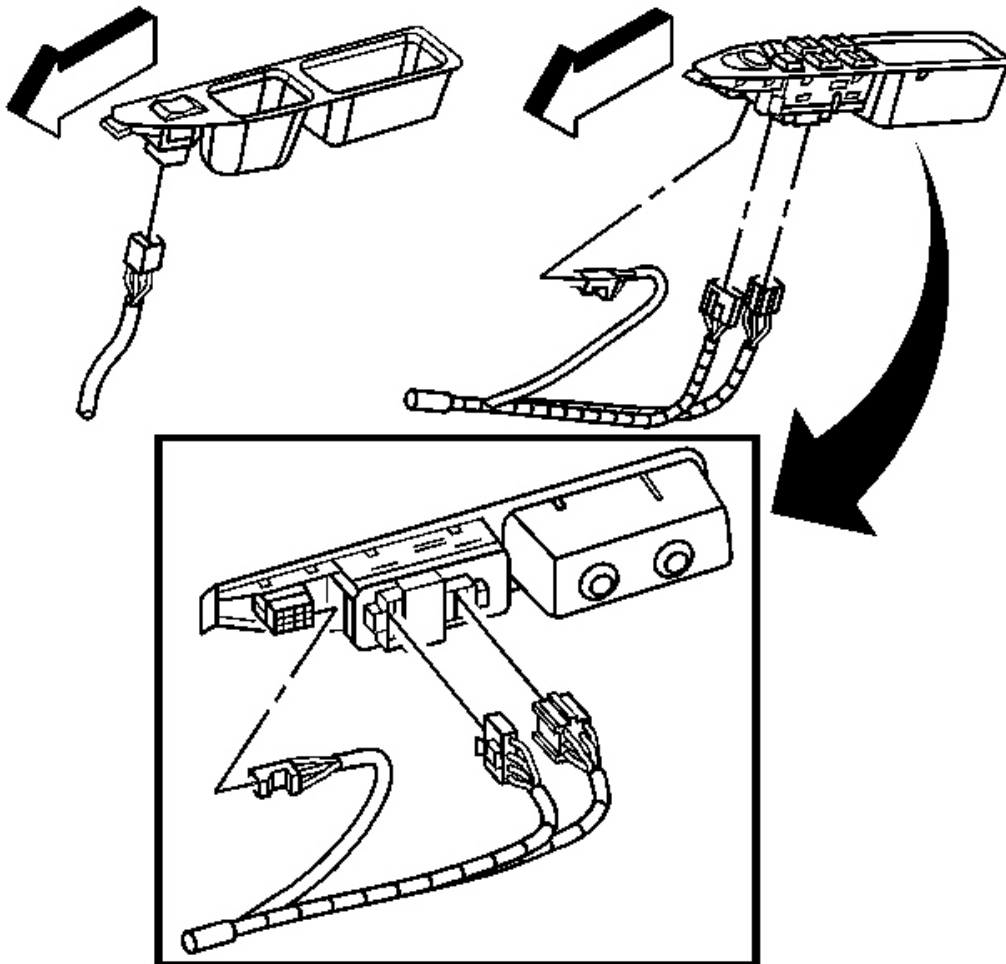
### Removal Procedure

1. Lift the pull cup liner.



**Fig. 30: View Of Front Door Trim**  
Courtesy of GENERAL MOTORS CORP.

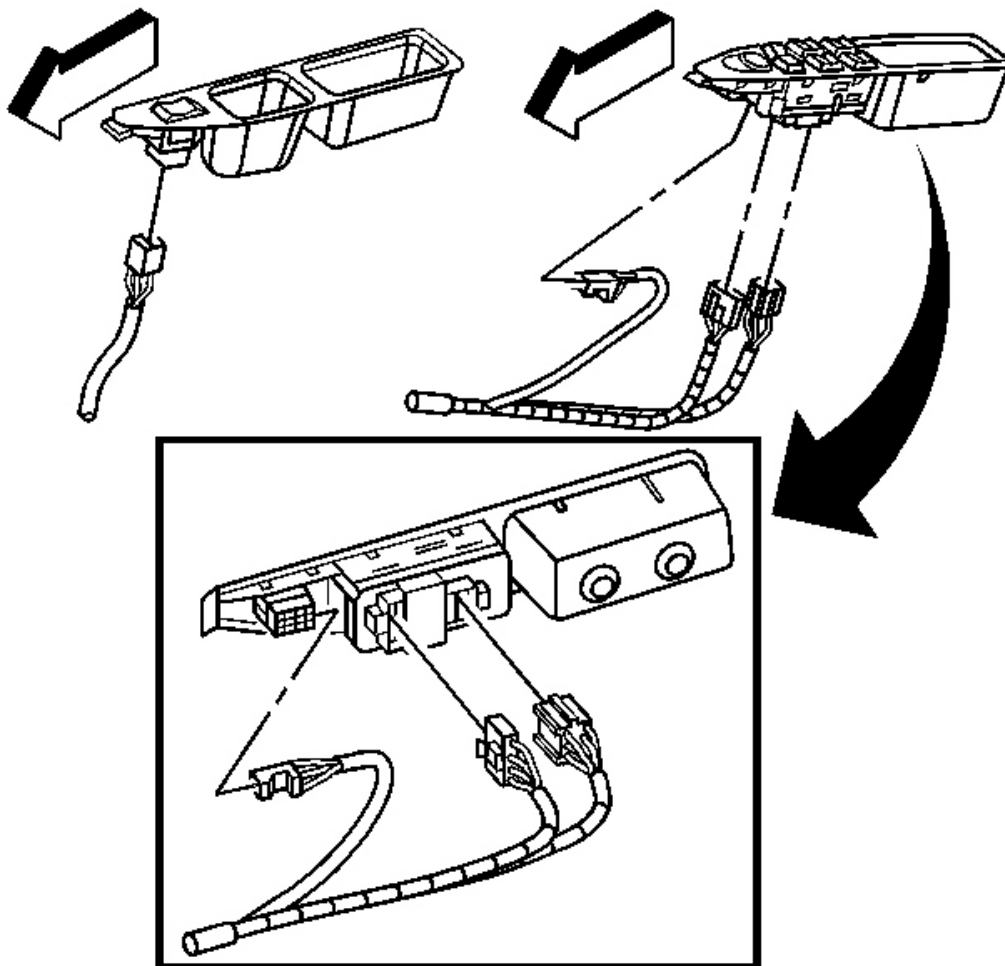
2. Remove the pull cup screws from the door trim.
3. Using a small flat-bladed tool, pry the rearward end of the pull cup out of the door trim.
4. Pull rearward to disengage the forward pull cup hook from the door trim.



**Fig. 31: View Of Power Window Switch & Electrical Connector**  
Courtesy of GENERAL MOTORS CORP.

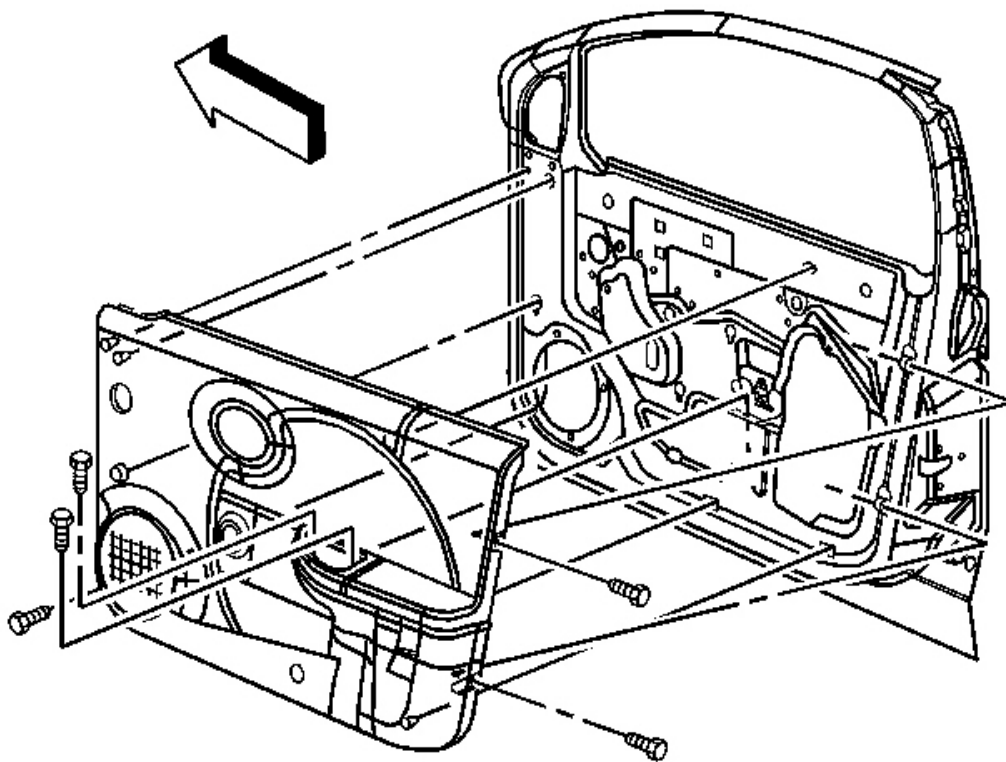
5. Disconnect the mirror switch electrical connector.
6. Disengage the locking tabs that hold the mirror switch in the pull cup.
7. Remove the switch from the pull cup.

#### Installation Procedure



**Fig. 32: View Of Power Window Switch & Electrical Connector**  
Courtesy of GENERAL MOTORS CORP.

1. Insert the mirror switch into the pull cup until the locking tabs engage.
2. Connect the power window switch electrical connector.
3. Insert the forward end of the pull cup into the door trim and push forward to engage the hook.
4. Press down on the rearward end of the pull cup.



**Fig. 33: View Of Front Door Trim**  
Courtesy of GENERAL MOTORS CORP.

**NOTE:** Refer to **FASTENER NOTICE** in Cautions and Notices.

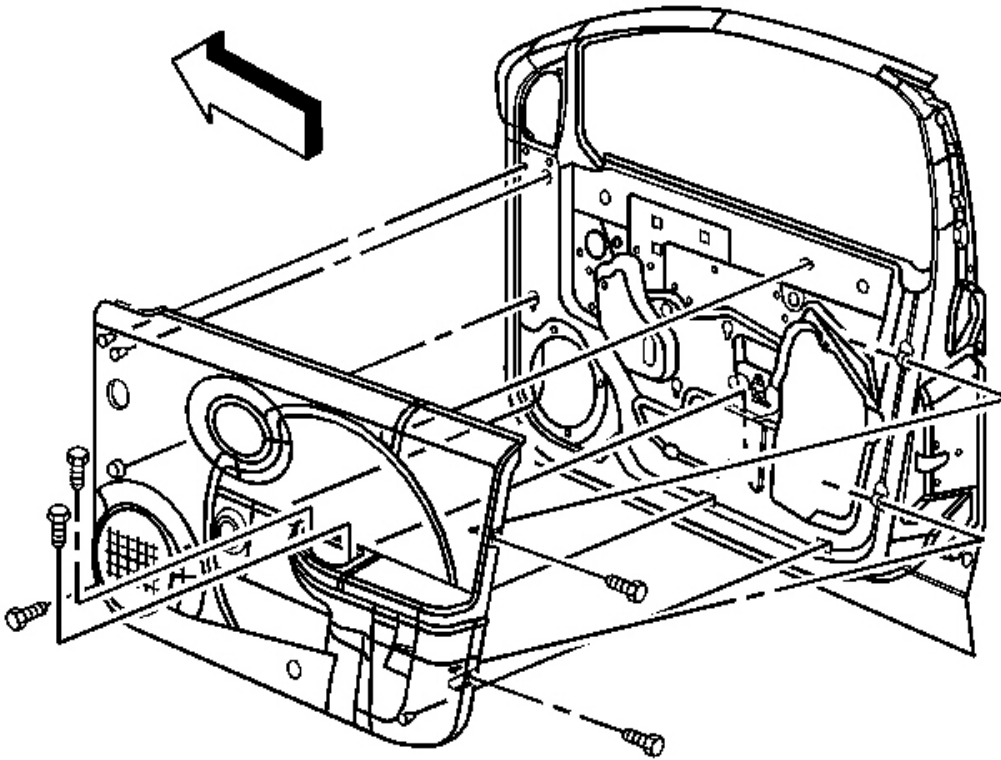
5. Install the pull cup screws.

**Tighten:** Tighten the screws to 2.5 N.m (23 lb in).

6. Reposition the pull cup liner.

## ARMREST PULL CUP REPLACEMENT

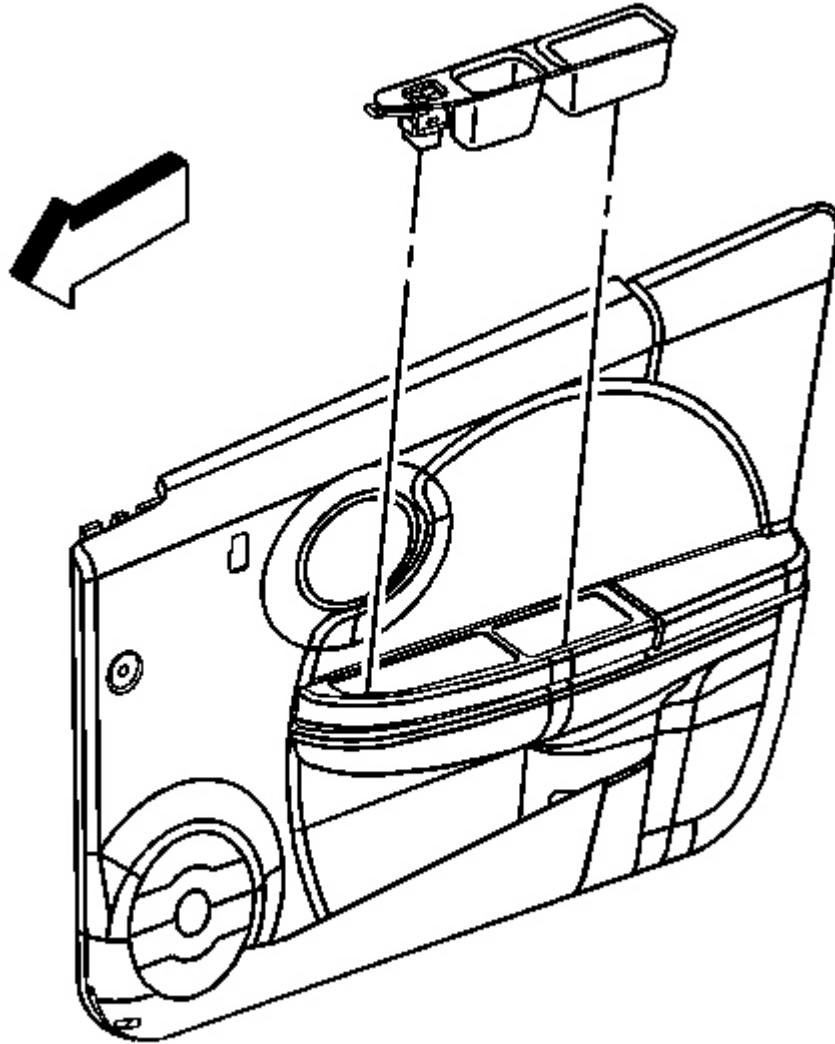
### Removal Procedure



**Fig. 34: View Of Front Door Trim**  
Courtesy of GENERAL MOTORS CORP.

**IMPORTANT:** This procedure is for the front seat pull cup. Rear seat pull cup replacement is similar.

1. Lift the pull cup liner.
2. Remove the pull cup screws.

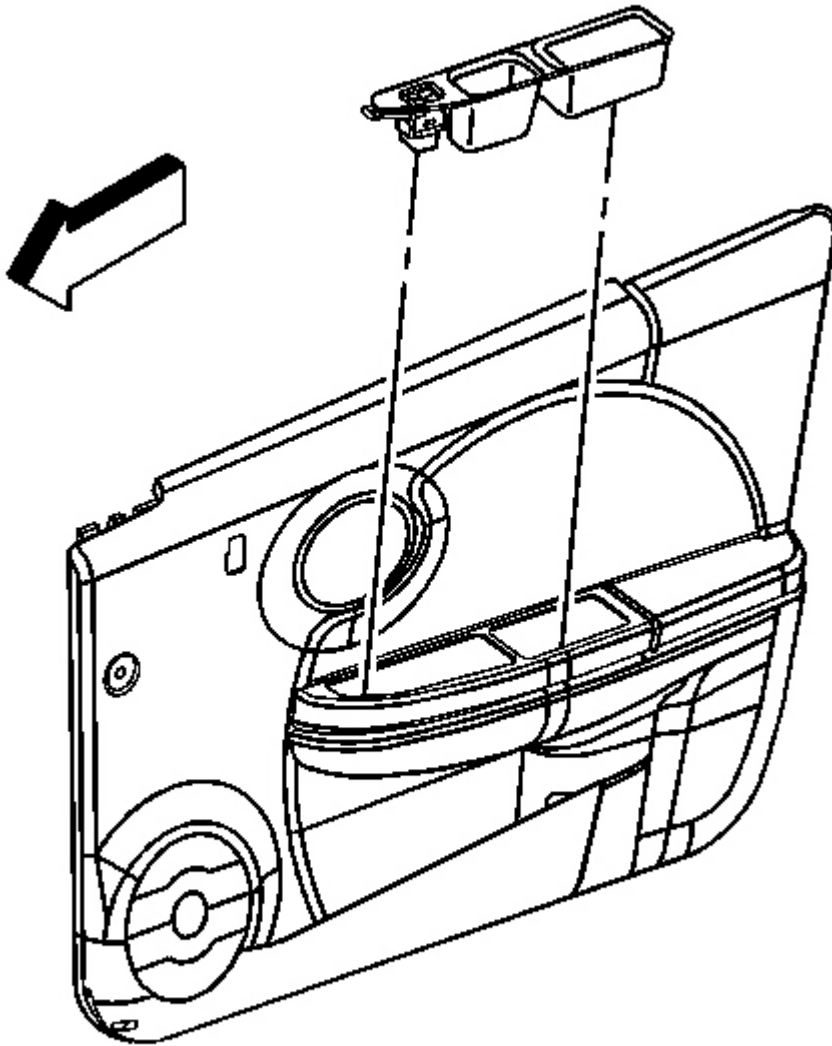


**Fig. 35: View Of Pull Cup**  
Courtesy of GENERAL MOTORS CORP.

3. Insert a small, flat-bladed tool under the rearward end of the pull cup and lift up.
4. Pull rearward to disengage the pull cup hook.
5. Disconnect the electrical connectors, if equipped.

#### Installation Procedure

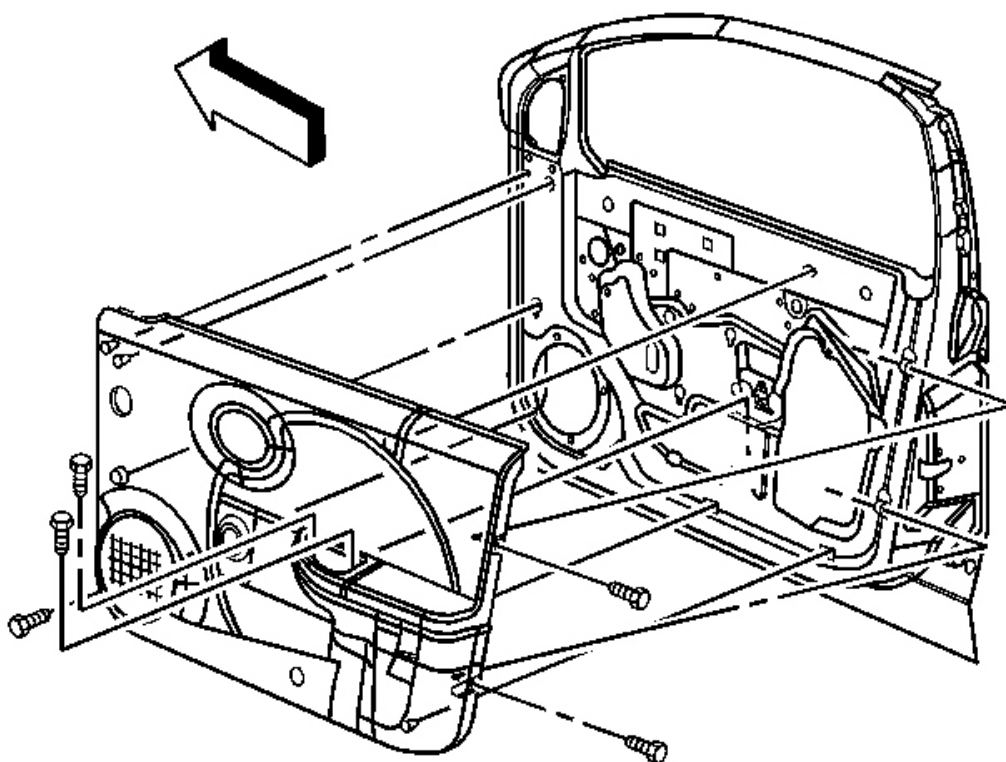




**Fig. 36: View Of Pull Cup**

Courtesy of GENERAL MOTORS CORP.

1. Connect the electrical connectors.
2. Install the forward pull cup hook on the door trim.
3. Push down on the rearward end of the pull cup until the cup snaps into place.



**Fig. 37: View Of Front Door Trim**  
Courtesy of GENERAL MOTORS CORP.

**NOTE:** Refer to **FASTENER NOTICE** in Cautions and Notices.

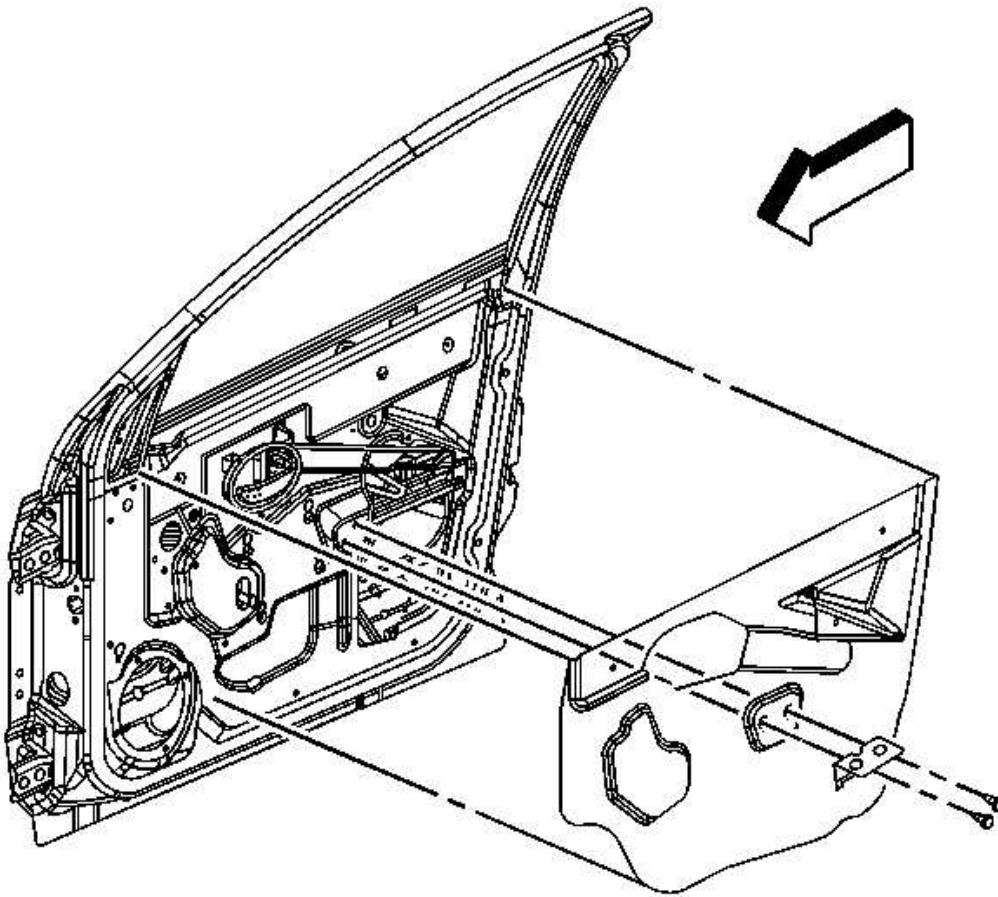
4. Install the pull cup screws.

**Tighten:** Tighten the screws to 2.5 N.m (23 lb in).

5. Reposition the pull cup liner.

## ARMREST BRACKET REPLACEMENT

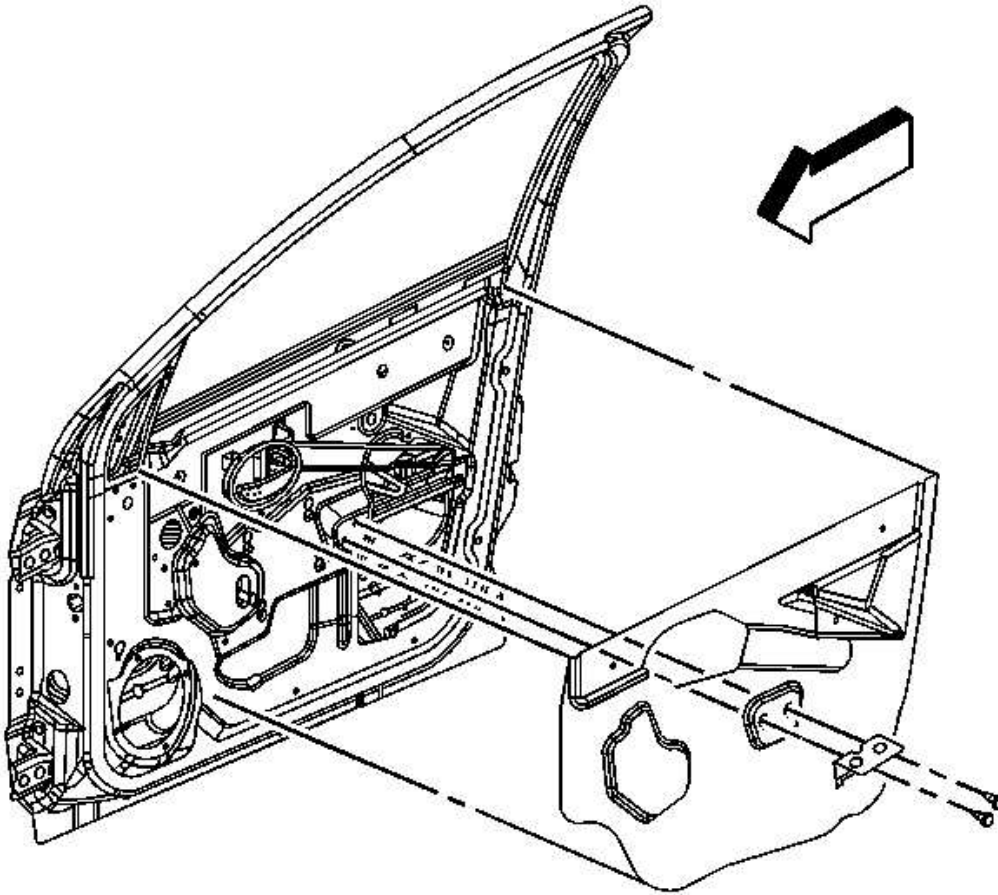
### Removal Procedure



**Fig. 38: View Of Armrest Bracket**  
Courtesy of GENERAL MOTORS CORP.

1. Remove the door trim panel. Refer to **Trim Panel Replacement - Side Front Door** or **Trim Panel Replacement - Side Rear Door**.
2. Remove the screws attaching the armrest bracket.
3. Remove the door armrest hanger plate from the door.

#### Installation Procedure



**Fig. 39: View Of Armrest Bracket**  
Courtesy of GENERAL MOTORS CORP.

1. Position the door armrest hanger plate to the door.
2. Install the screws attaching the armrest bracket.
3. Install the door trim panel. Refer to [Trim Panel Replacement - Side Front Door](#) or [Trim Panel Replacement - Side Rear Door](#).

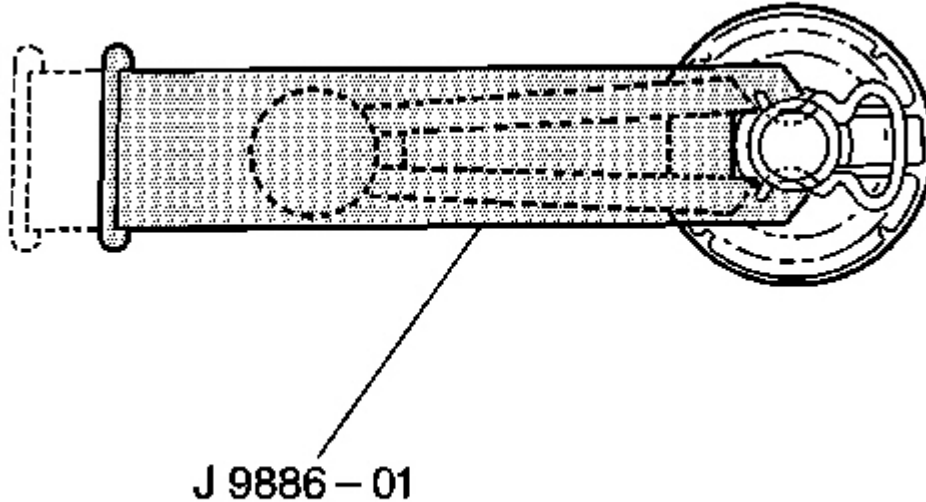
## WINDOW REGULATOR HANDLE REPLACEMENT - DOOR

### Tools Required

**J 9886-01** Door Handle Clip Remover

**Removal Procedure**

1. Note the position of the door window regulator handle with the window in the full up position.
2. Place the door window regulator handle in the upward position.

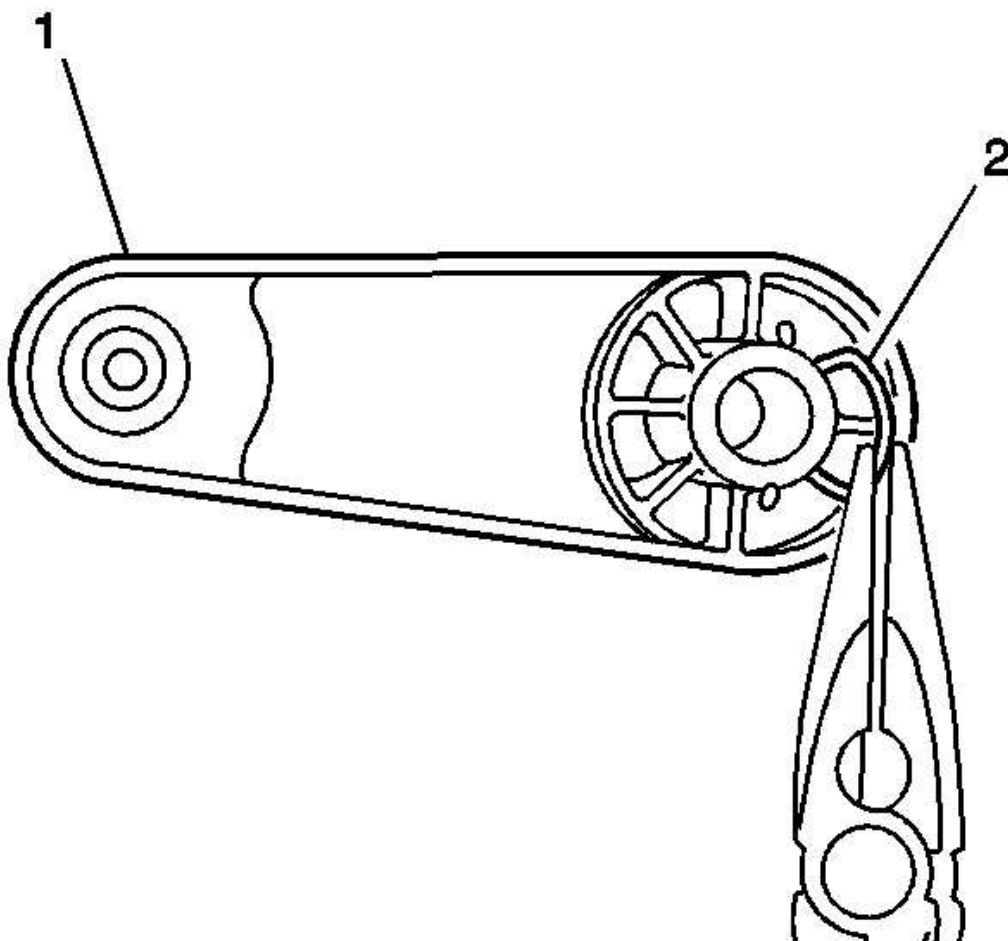


**Fig. 40: Identifying Door Handle Clip Remover**  
Courtesy of GENERAL MOTORS CORP.

3. Remove the spring clip by inserting **J 9886-01** between the window regulator handle and the door window regulator handle bearing plate. Press down to remove the spring clip.
4. Remove the window regulator handle.
5. Remove the door window regulator handle bearing plate.

**Installation Procedure**

1. Position the window to the full up position.

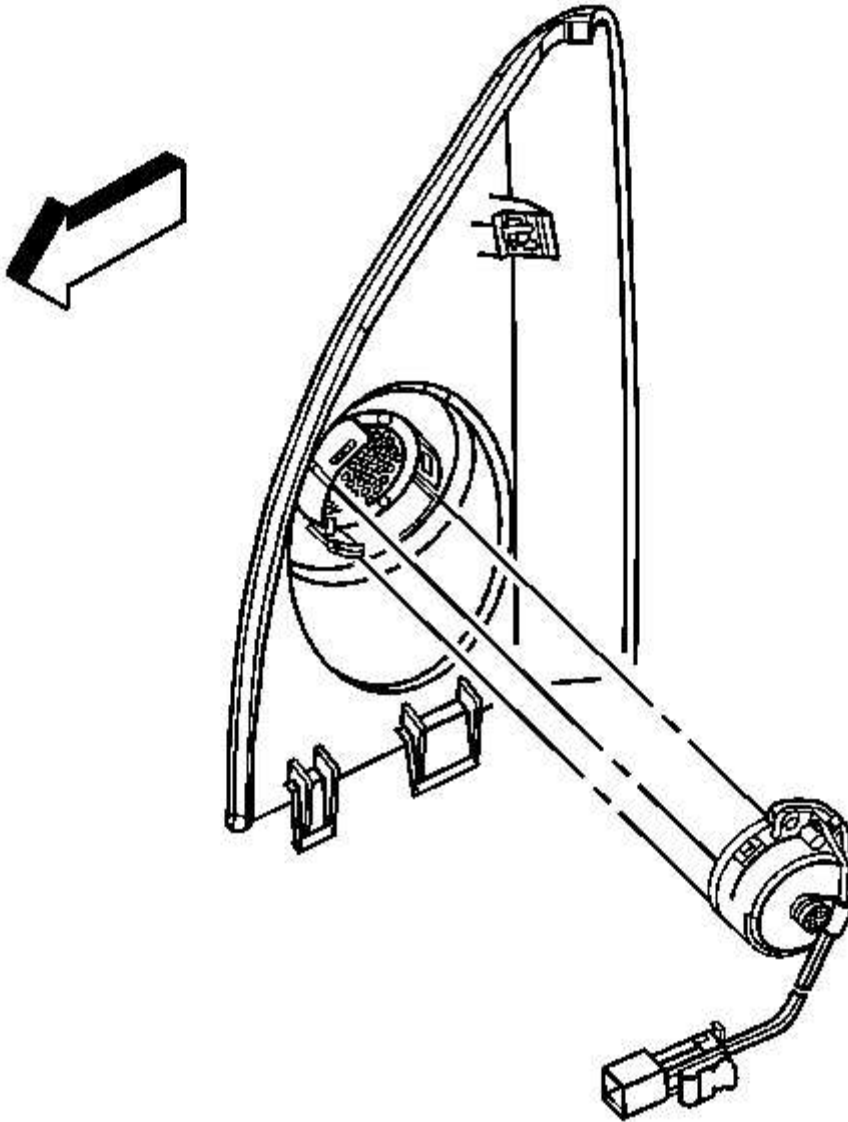


**Fig. 41: Spring Clip & Door Window Regulator Handle**  
Courtesy of GENERAL MOTORS CORP.

2. Install the spring clip (2) to the door window regulator handle (1).
3. Install the door window regulator handle bearing plate.
4. Position the door window regulator handle to the regulator.
5. Install the door window regulator handle, press in until fully seated.

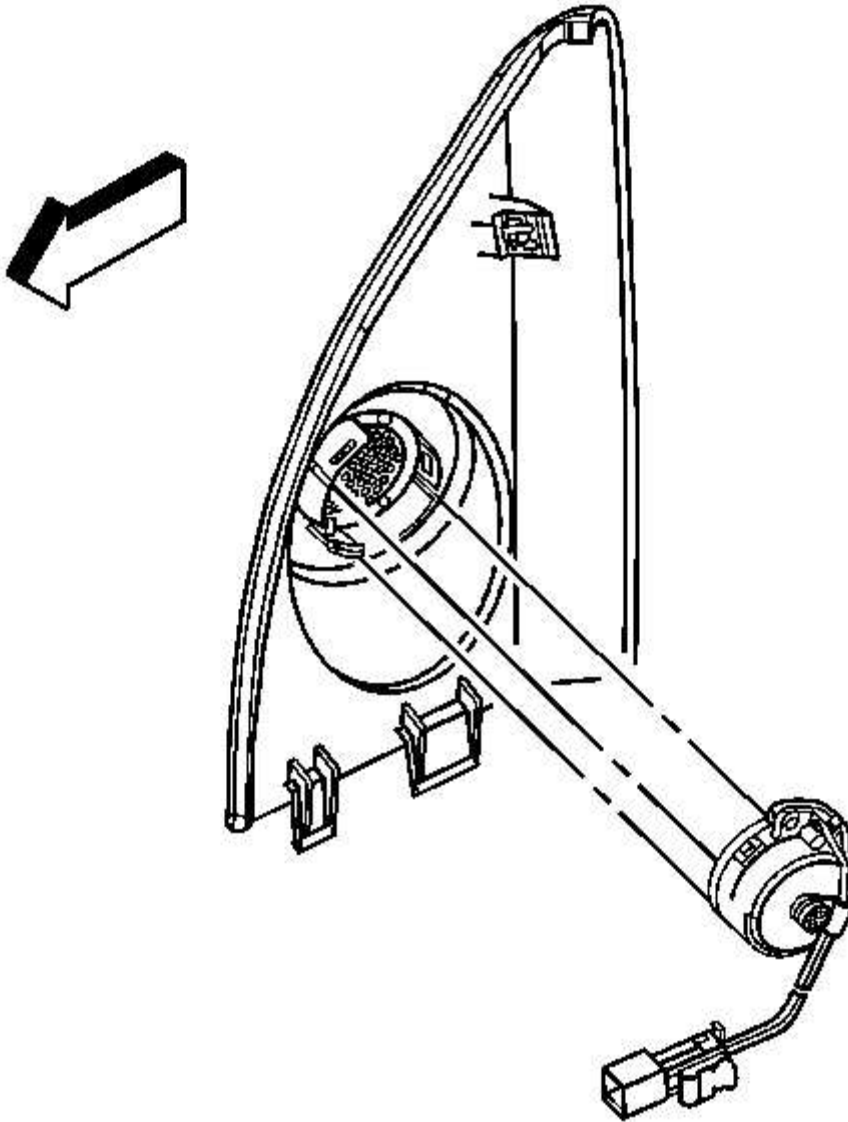
## TRIM PANEL REPLACEMENT - UPPER EXTENSION

### Removal Procedure



**Fig. 42: View Of Front Upper Speaker**  
Courtesy of GENERAL MOTORS CORP.

1. Remove the trim panel by pulling at the top to disengage the panel from the trim clip.
2. Remove the lower tabs from behind the door trim by lifting up on the panel.
3. If equipped, disconnect the speaker electrical connector.

**Installation Procedure**

**Fig. 43: View Of Front Upper Speaker**  
Courtesy of GENERAL MOTORS CORP.

1. Connect the speaker electrical connector.
2. Install the trim panel by sliding the lower tabs behind the door trim.

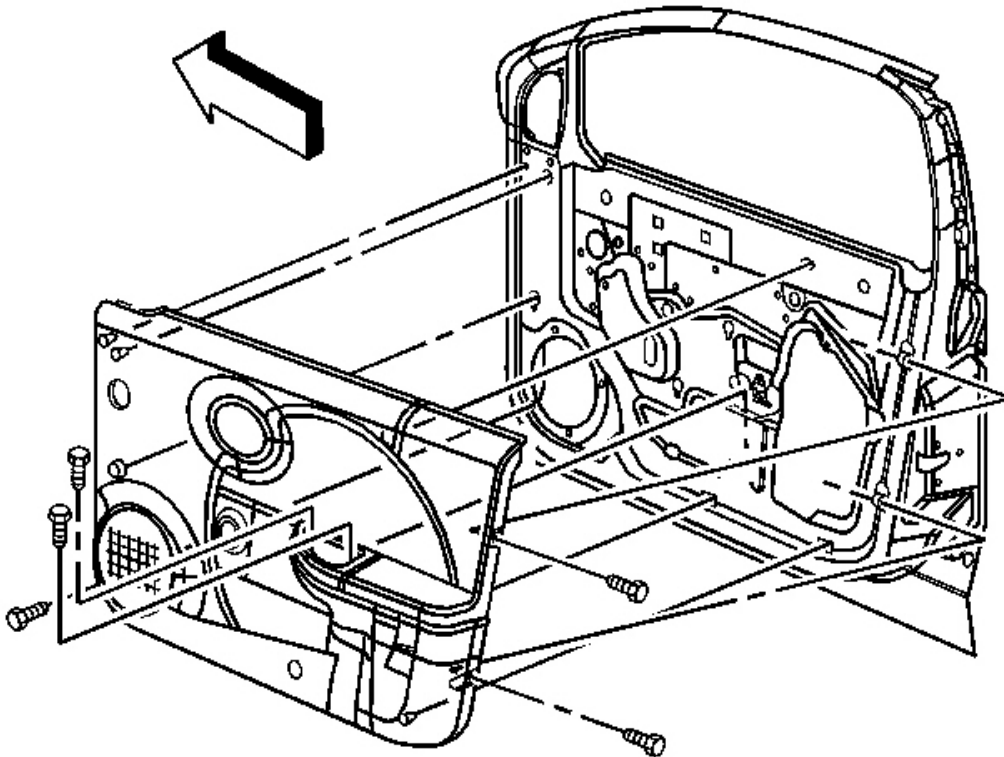


3. Push in to engage the upper trim clip.

## TRIM PANEL REPLACEMENT - SIDE FRONT DOOR

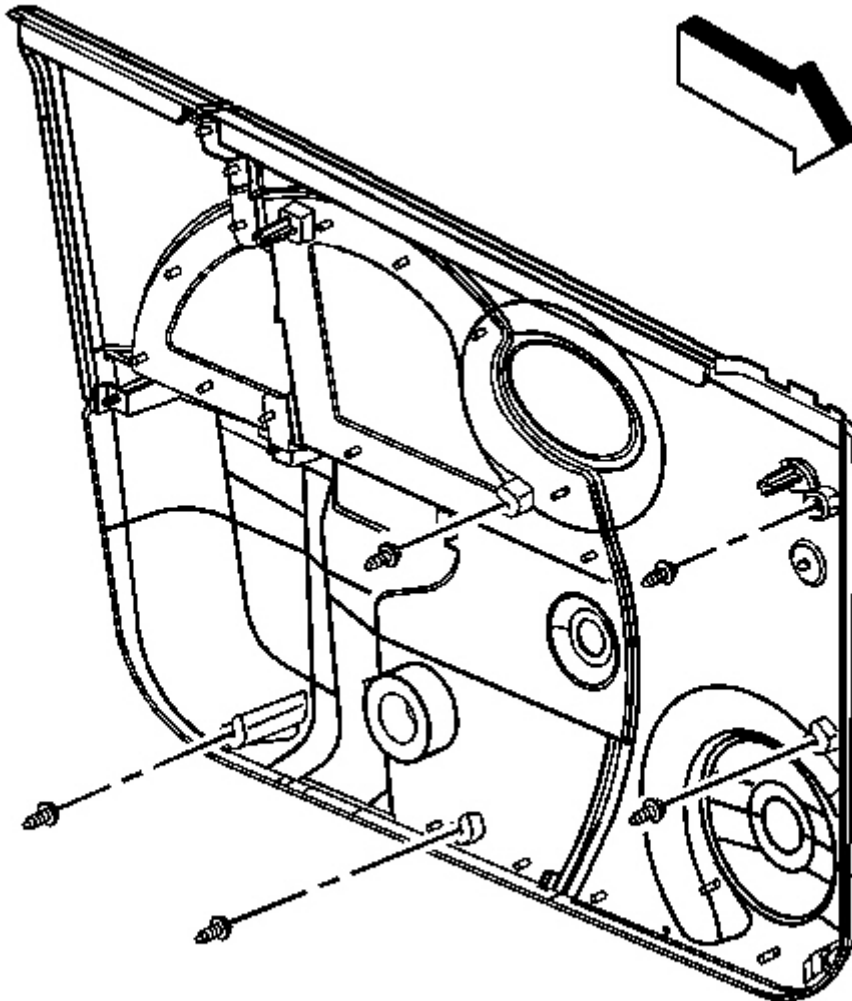
### Removal Procedure

1. Remove the upper trim panel. Refer to [Trim Panel Replacement - Upper Extension](#).
2. Remove the manual window regulator handle, if equipped. Refer to [Window Regulator Handle Replacement - Door](#).
3. Remove the power door lock switch, if equipped. Refer to [Power Door Lock Switch Replacement](#).
4. Remove the pull cup assembly. Refer to [Armrest Pull Cup Replacement](#).



**Fig. 44: View Of Front Door Trim**  
Courtesy of GENERAL MOTORS CORP.

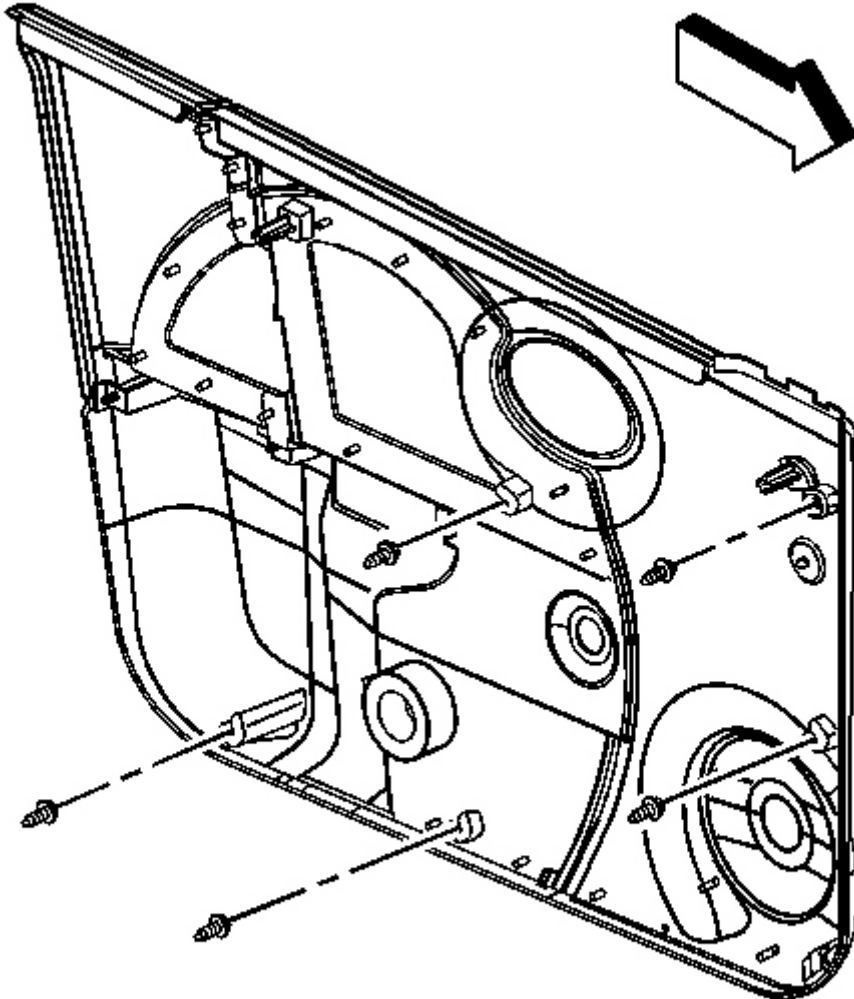
5. Remove the door trim push-in retainers.
6. Remove the screw from the trim panel.



**Fig. 45: View Of Door Trim Retainers**  
Courtesy of GENERAL MOTORS CORP.

7. Pull the bottom of the door trim out to disengage the clips.
8. Lift up on the door trim panel to disengage the inner belt molding from the door flange.
9. Remove the door trim panel.

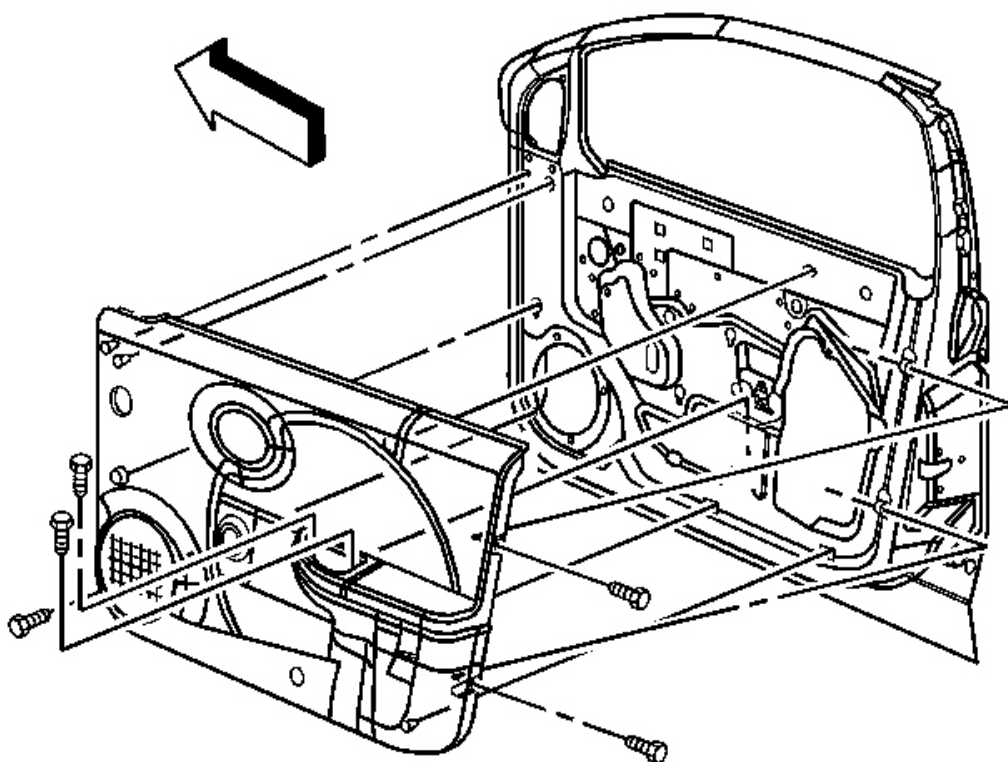
#### Installation Procedure



**Fig. 46: View Of Door Trim Retainers**

Courtesy of GENERAL MOTORS CORP.

1. Position the trim panel to the front door.
2. Engage the inner belt molding over the door flange and press down.
3. Align the trim panel retainers and press until the retainers are fully seated.



**Fig. 47: View Of Front Door Trim**  
 Courtesy of GENERAL MOTORS CORP.

**NOTE:** Refer to **FASTENER NOTICE** in Cautions and Notices.

4. Install the screw to the door trim panel.

**Tighten:** Tighten the screw to 2.5 N.m (23 lb in).

5. Install the push-in retainers to the door trim panel.
6. Install the pull cup. Refer to **Armrest Pull Cup Replacement**.
7. Install the power door lock switch. Refer to **Power Door Lock Switch Replacement**.
8. Install the window regulator handle to the door. Refer to **Window Regulator Handle Replacement - Door**.
9. Install the upper trim panel. Refer to **Trim Panel Replacement - Upper Extension**.