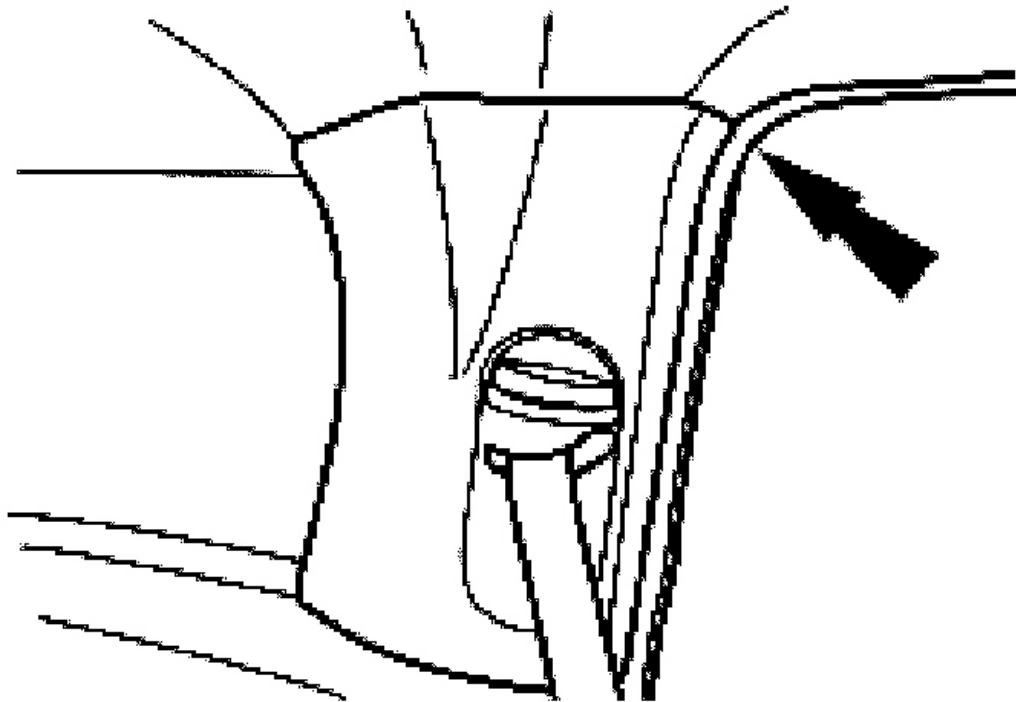


## C-PILLAR TRIM PANEL

### Removal and Installation

#### All Vehicles

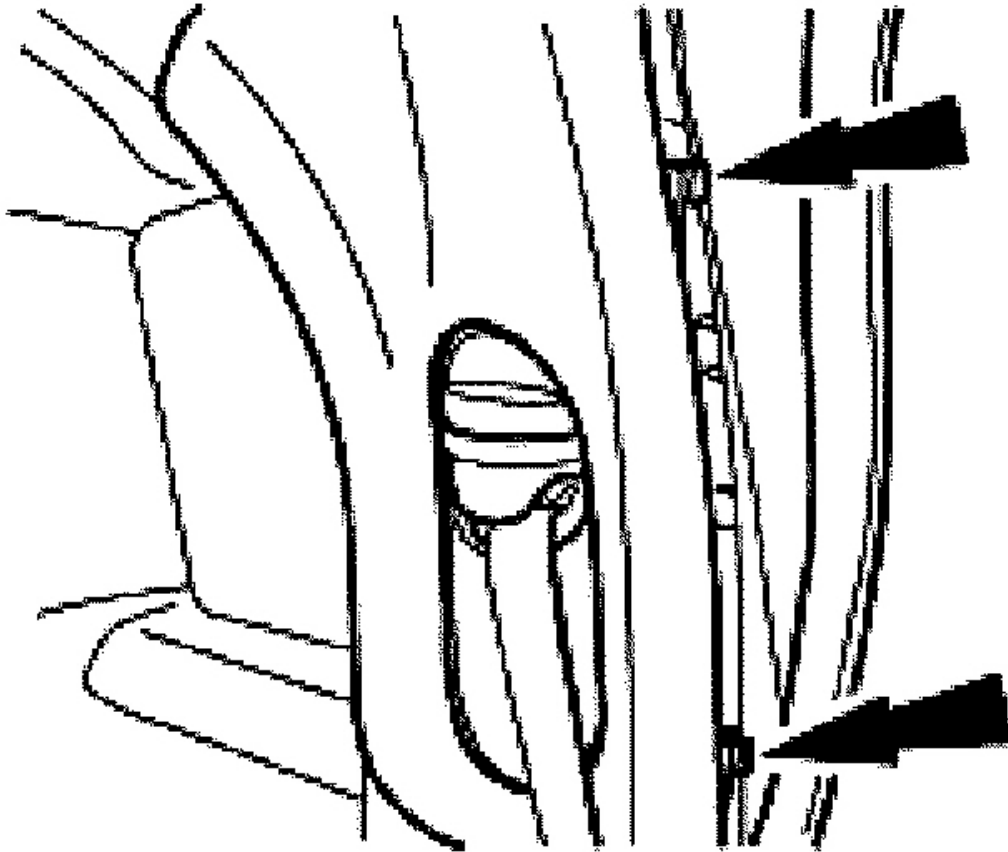
1. Lower the rear door opening weatherstrip.



G03429102

**[Fig. 14: Locating Rear Door Opening Weatherstrip](#)**  
Courtesy of FORD MOTOR CO.

2. Remove the trim panel clips.



G03429103

**Fig. 15: Removing Trim Panel Clips**

Courtesy of FORD MOTOR CO.

**Vehicles With Third Row Seats**

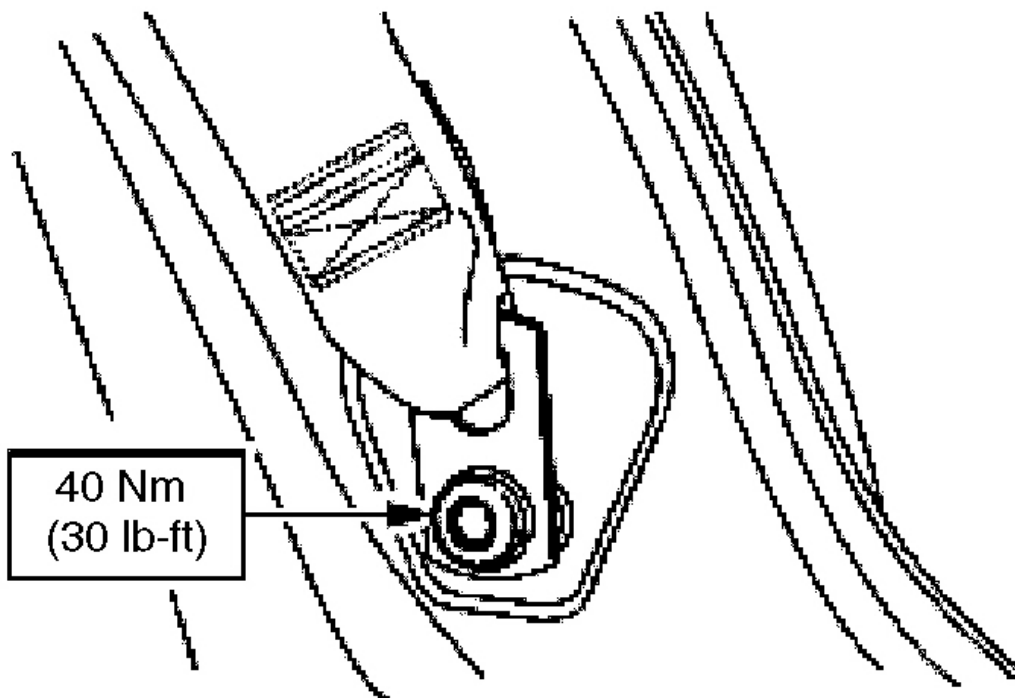
3. Position the second row outer seats to the forward position.

**Vehicles Without Third Row Seats**

4. Remove the rear seats. For additional information, REFER to SEATING .

**All Vehicles**

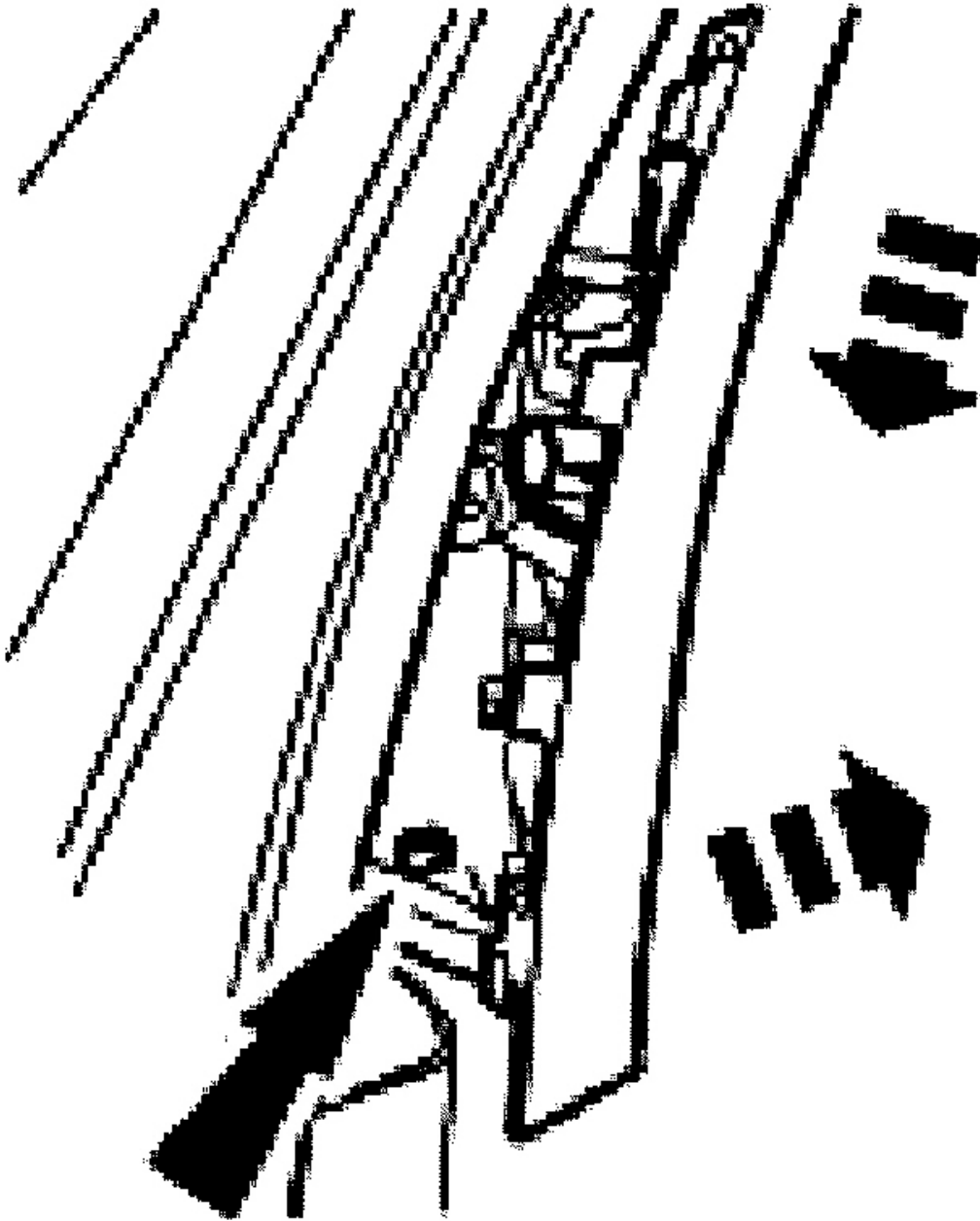
5. Remove the lower safety belt anchor bolt.



G03429104

**Fig. 16: Removing Lower Safety Belt Anchor Bolt**  
Courtesy of FORD MOTOR CO.

6. Remove the trim panel.
  - Pull the lower portion of the trim panel outward to release the lower tab.
  - Pull trim panel downward to release upper tabs. Remove the trim panel.



G03429105

**Fig. 17: Removing Trim Panel**  
Courtesy of FORD MOTOR CO.

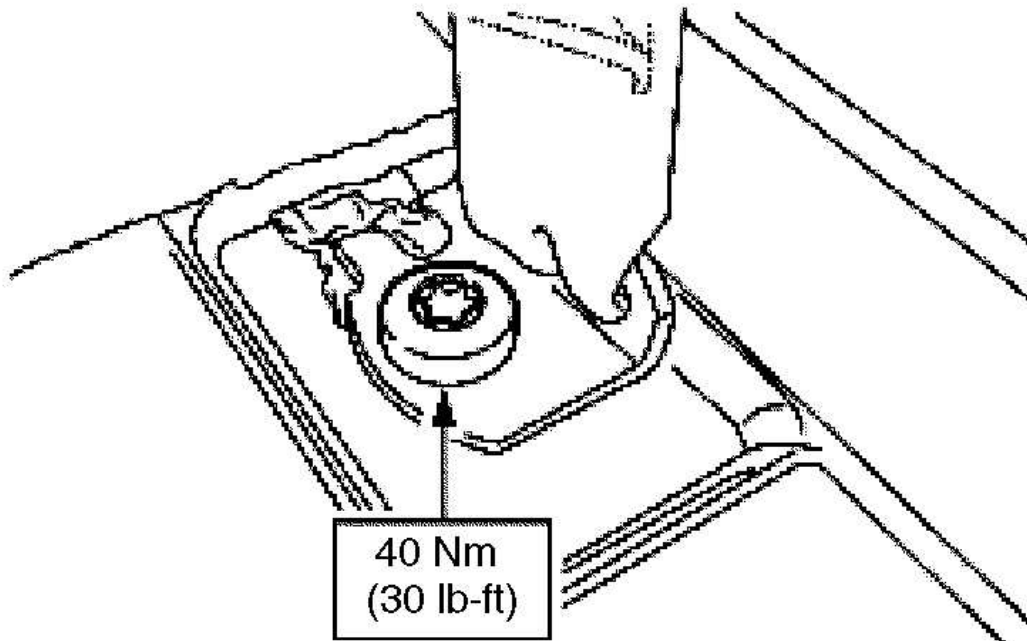
7. To install, reverse the removal procedure.

## D-PILLAR TRIM PANEL

### Removal and Installation

#### Vehicles with third row seat

1. Remove the third row seat cushion. For additional information, REFER to SEATING .
2. Remove the safety belt anchor bolt for the third seat strap.



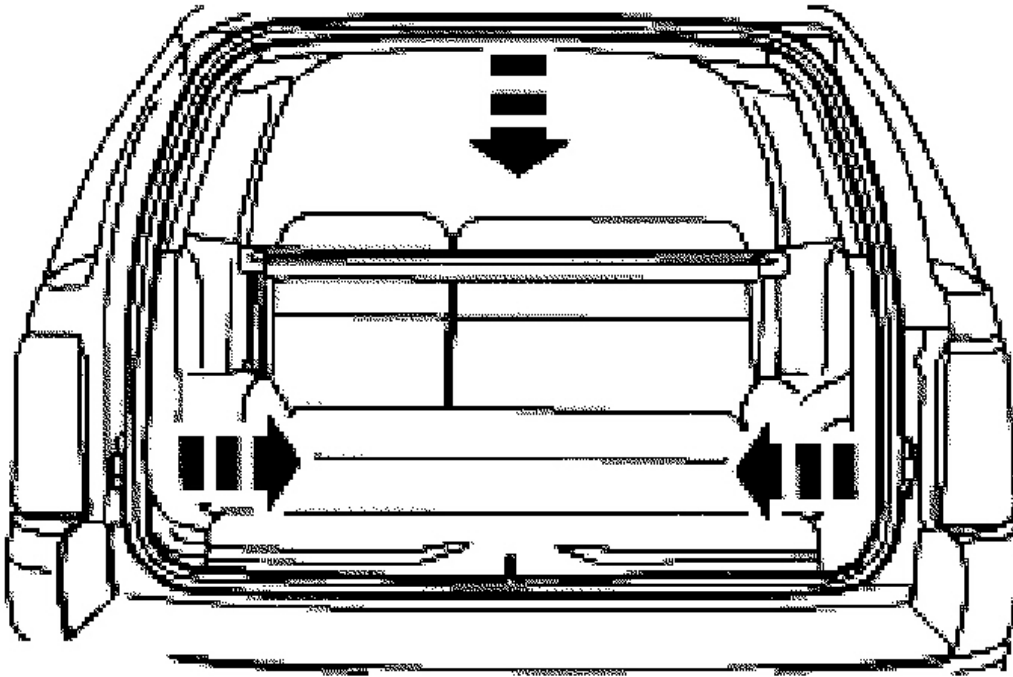
G03429106

**Fig. 18: Removing Safety Belt Anchor Bolt For Third Seat Strap**

Courtesy of FORD MOTOR CO.

#### All vehicles

3. Remove the liftgate opening weatherstrip.

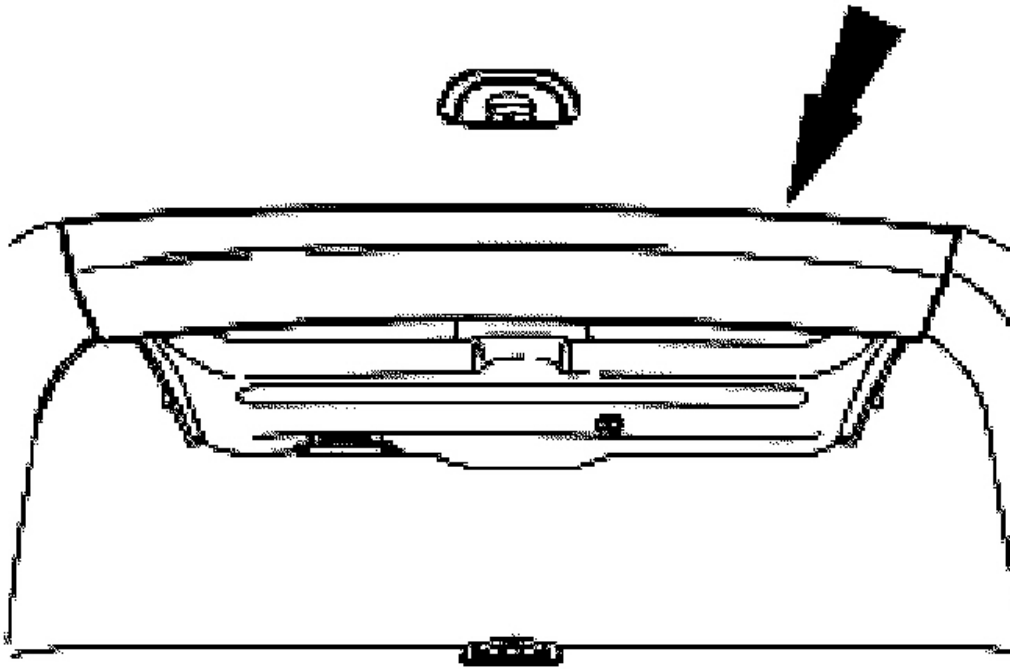


G03429107

**Fig. 19: Removing Liftgate Opening Weatherstrip**

Courtesy of FORD MOTOR CO.

4. Remove the rear upper headliner trim panel.

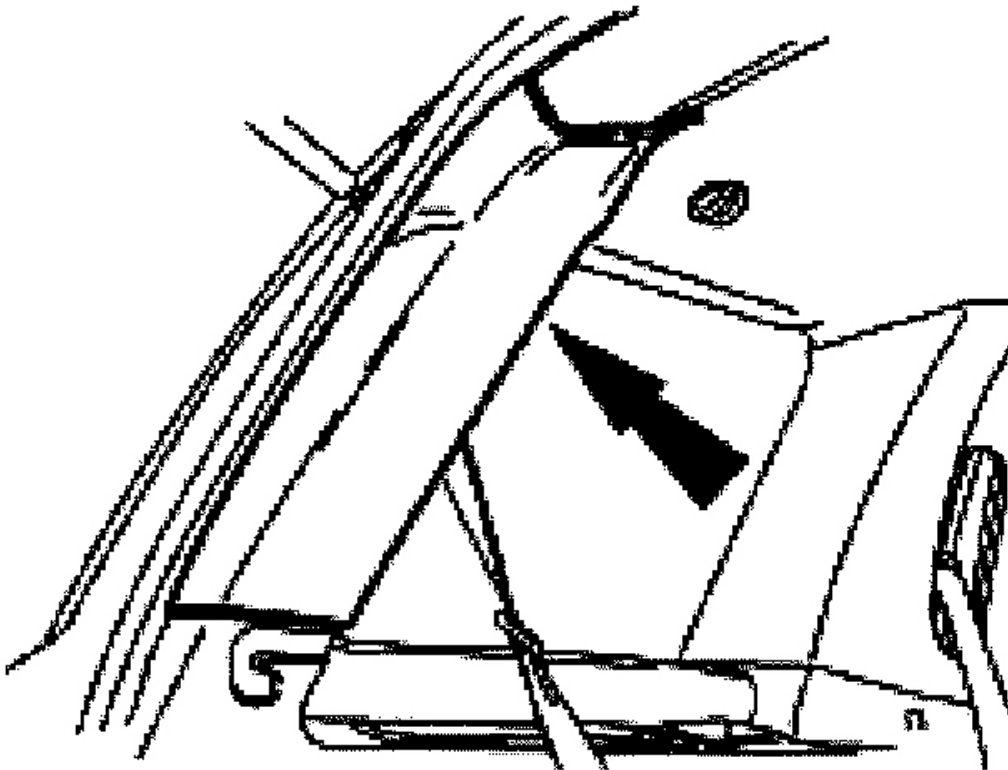


G03429108

**[Fig. 20: Removing Rear Upper Headliner Trim Panel](#)**

Courtesy of FORD MOTOR CO.

5. Remove the D-pillar trim panel.



G03429109

**Fig. 21: Removing D-Pillar Trim Panel**

Courtesy of FORD MOTOR CO.

**NOTE:** Make sure that the quarter glass attachments are correctly seated at the beginning of the installation procedure.

6. To install, reverse the removal procedure.