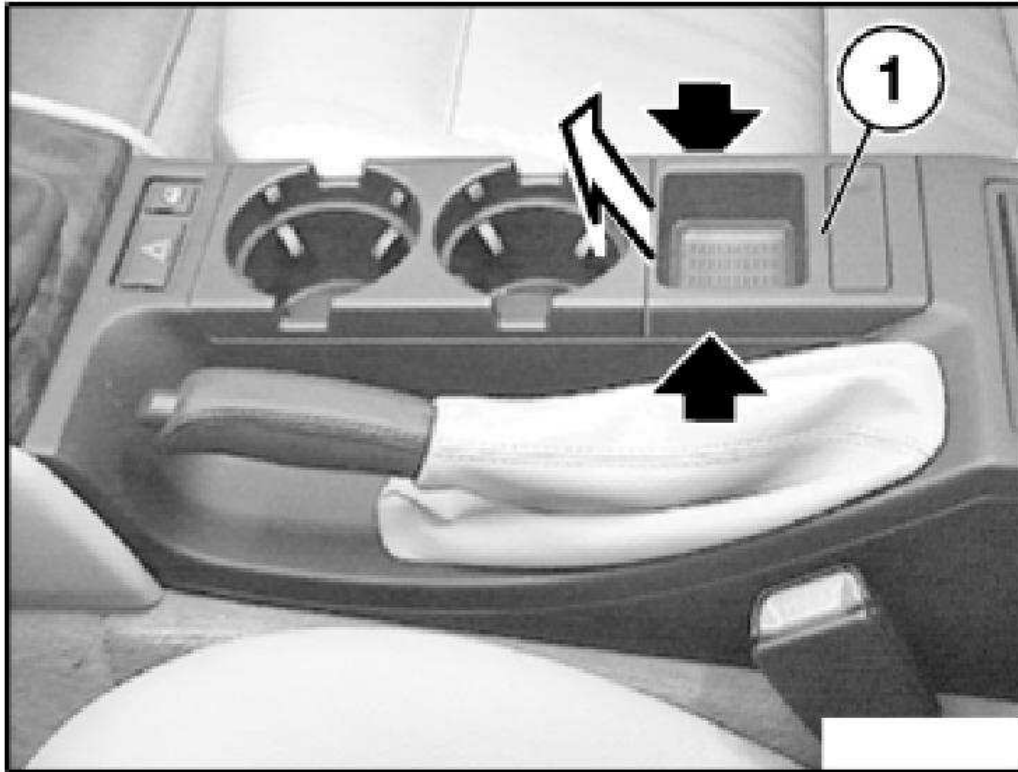


**51 16 202 REMOVING AND INSTALLING/REPLACING FRONT CUP HOLDER****Removal:**

Press sides of oddments tray (1) together and lift out.



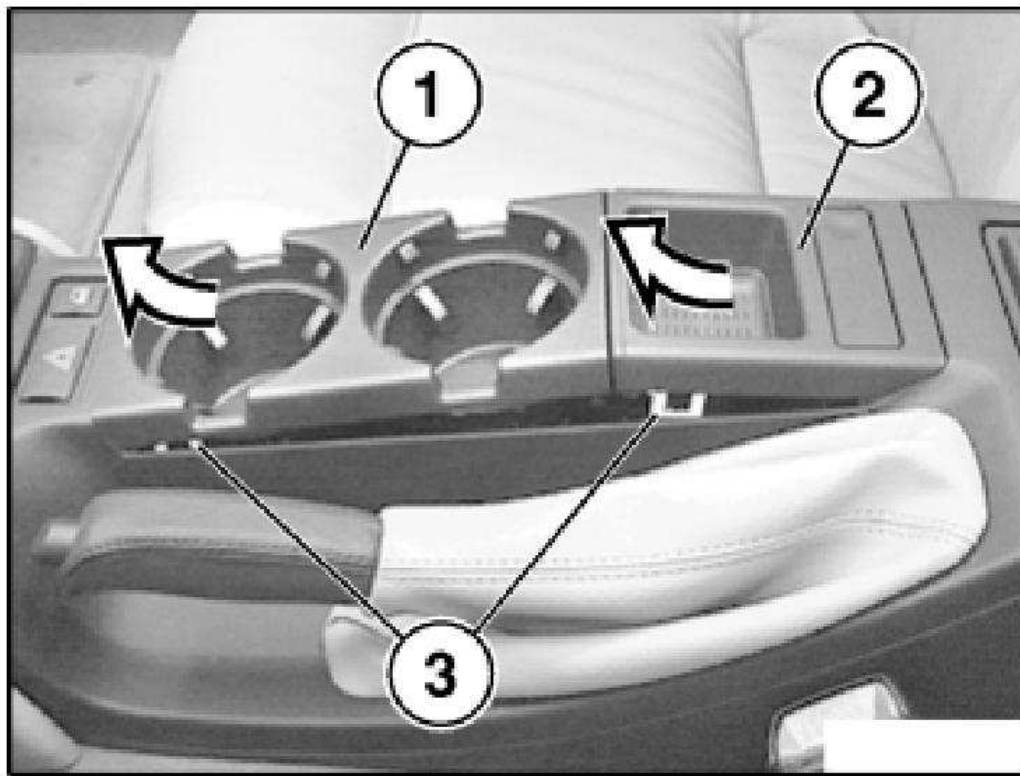
G03124280

**Fig. 193: Pressing Sides Of Oddments Tray**

Courtesy of BMW OF NORTH AMERICA, INC.

Cup holder (1) and oddments tray (2) are now unlocked from catches (3).

Remove cup holder (1) towards front/top and then remove oddments tray (2).

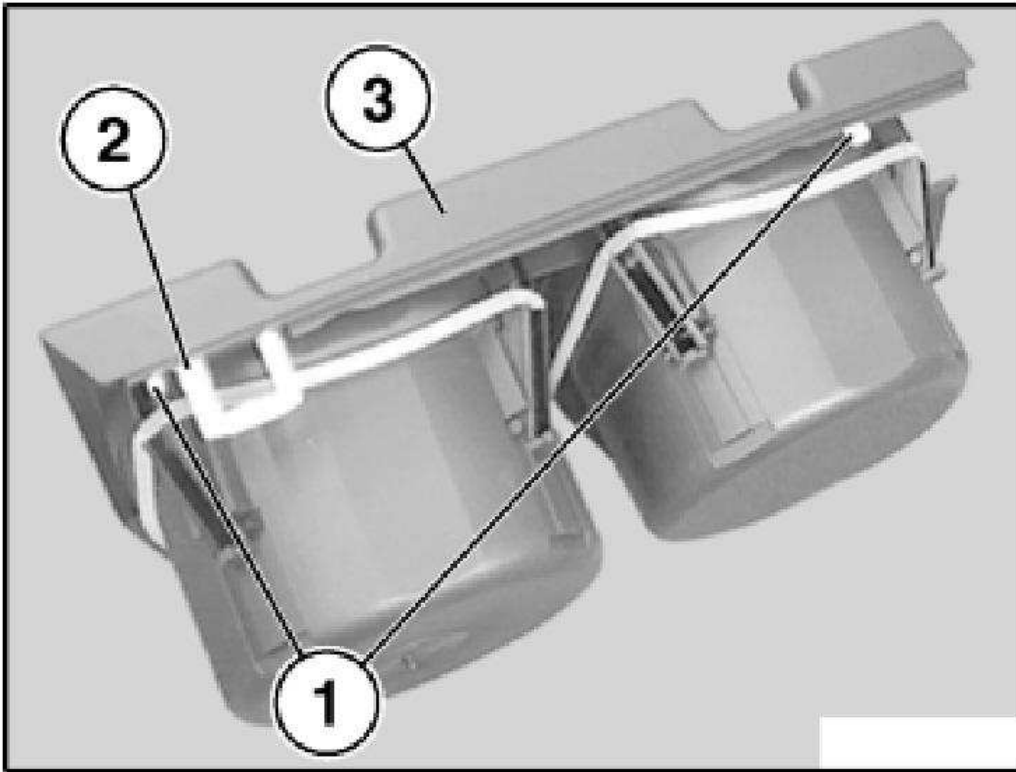


G03124281

**Fig. 194: Removing Cup Holder**  
Courtesy of BMW OF NORTH AMERICA, INC.

**Installation:**

Guides (1) and supports (2) on left/right on cup holder (3) must not be damaged.

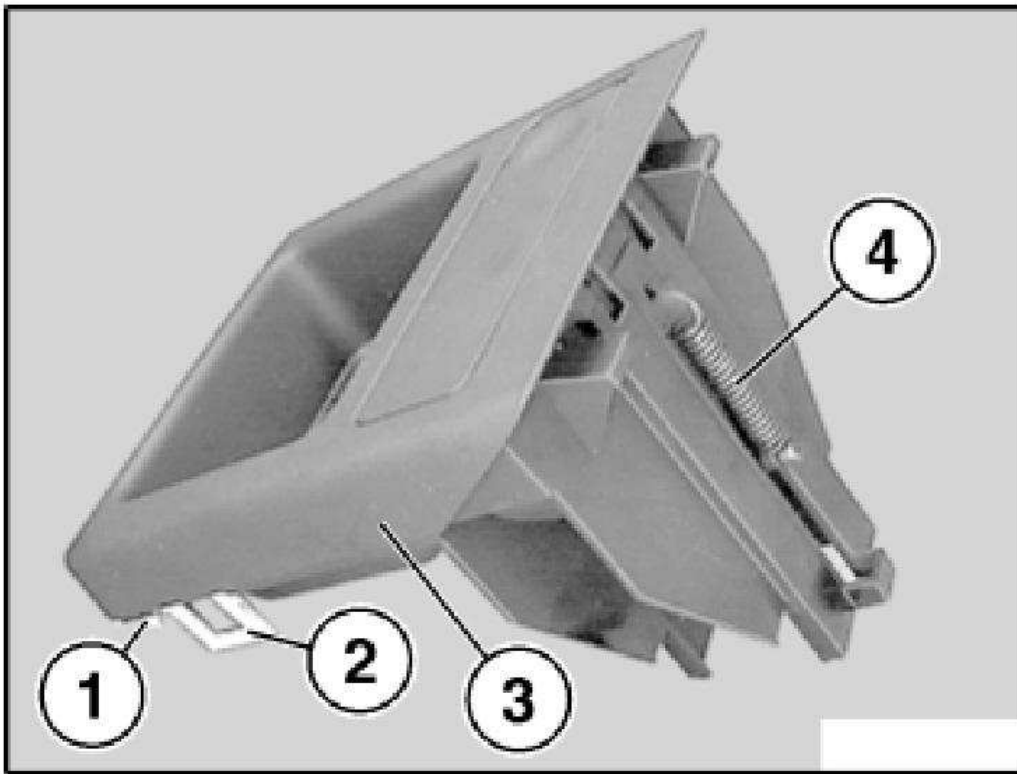


G03124282

**Fig. 195: Installing Guides & Supports On Left/Right On Cup Holder**  
Courtesy of BMW OF NORTH AMERICA, INC.

**Installation:**

Guides (1) and supports (2) on left/right on oddments tray (3) must not be damaged.  
If necessary, replace fault tension spring (4).



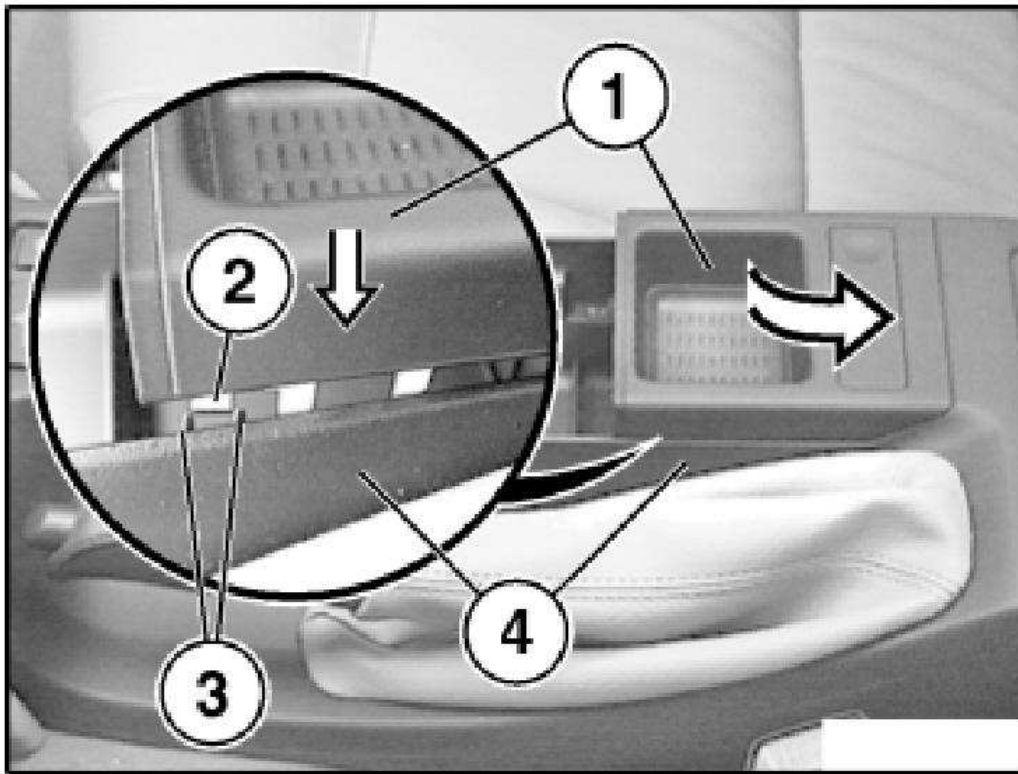
G03124283

**Fig. 196: Installing Guides & Supports On Left/Right On Oddments Tray**  
Courtesy of BMW OF NORTH AMERICA, INC.

**Installation:**

Insert oddments tray (1) at rear into center console.

Guide (2) must be positioned between supports (3) of center console (4), oddments tray (1) can now be snapped down into place.

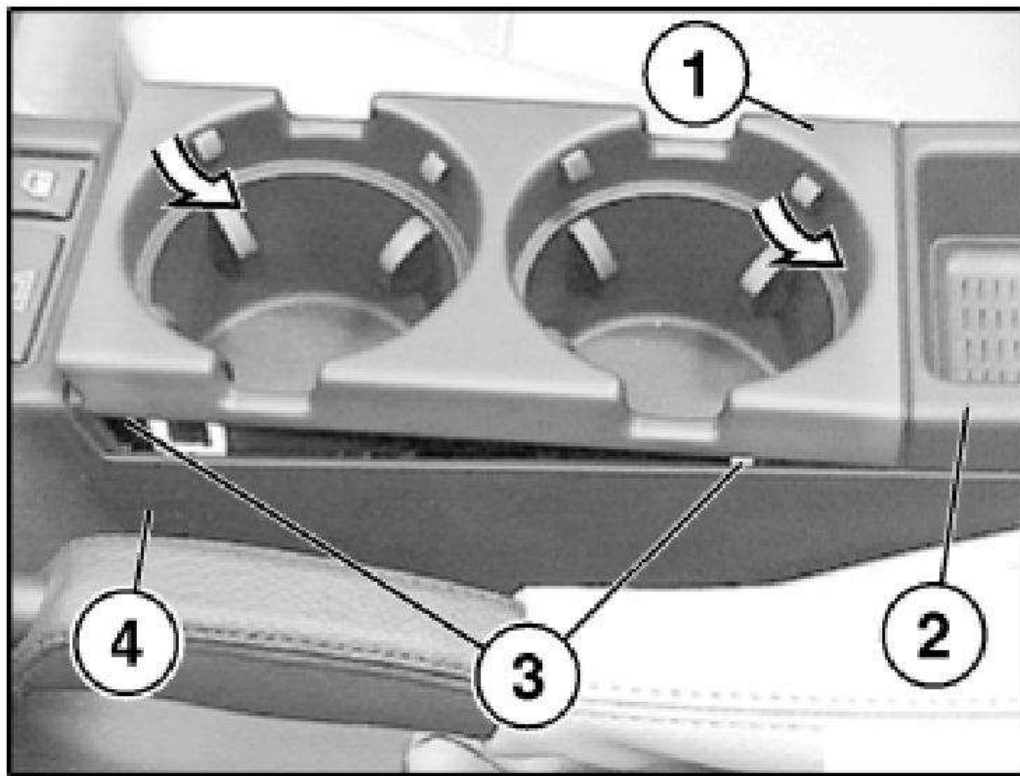


G03124284

**Fig. 197: Installing Guide Between Supports Of Centre Console & Oddments Tray**  
Courtesy of BMW OF NORTH AMERICA, INC.

Insert cup holder (1) into oddments tray (2).

Guides (3) must be positioned between supports of center console (4), cup holder (1) can now be snapped down into place.

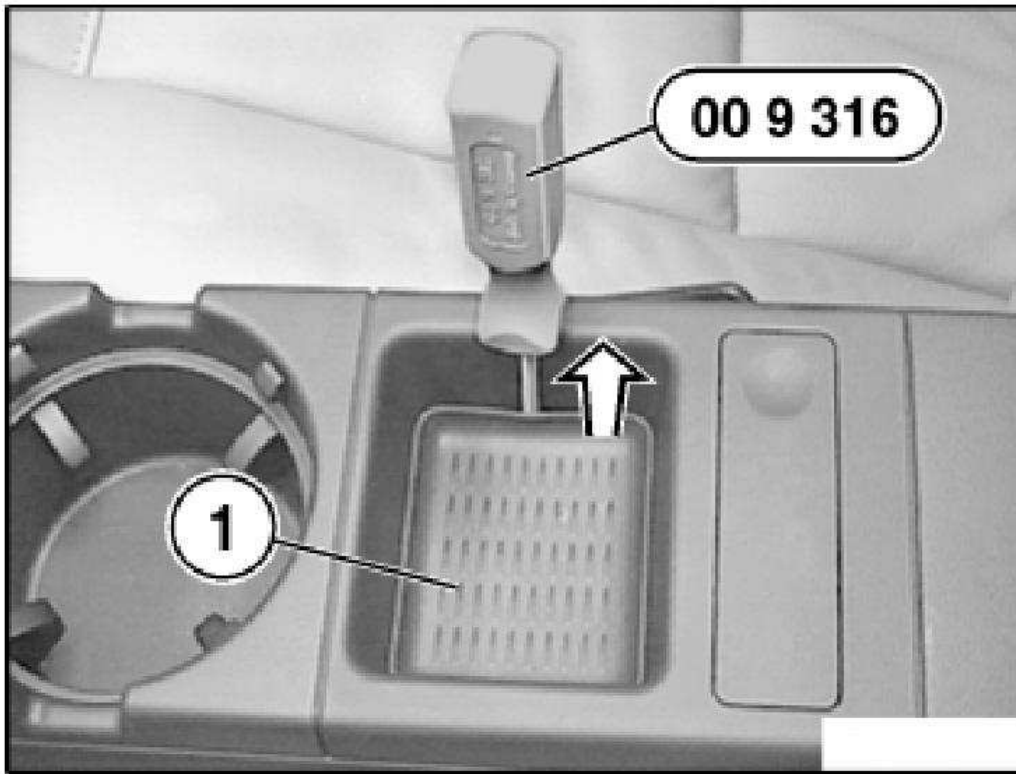


G03124285

**Fig. 198: Inserting Cup Holder**  
Courtesy of BMW OF NORTH AMERICA, INC.

Replacement only:

If necessary, lift out rubber tray (1) with special tool 00 9 316 (sealing lip wedge) and remove.



G03124286

**Fig. 199: Using Special Tool 00 9 316**  
Courtesy of BMW OF NORTH AMERICA, INC.

**51 16 210 REMOVING AND INSTALLING / REPLACING FINISHER FOR PRESELECTOR LEVER**

**NOTE:** Do not wrench knob when removing as this will cause the anti-wrench element in the knob to be shorn off.

Tug firmly to remove knob.

**Installation:**

Attach knob to selector lever, align and press on until it snaps audibly into place.



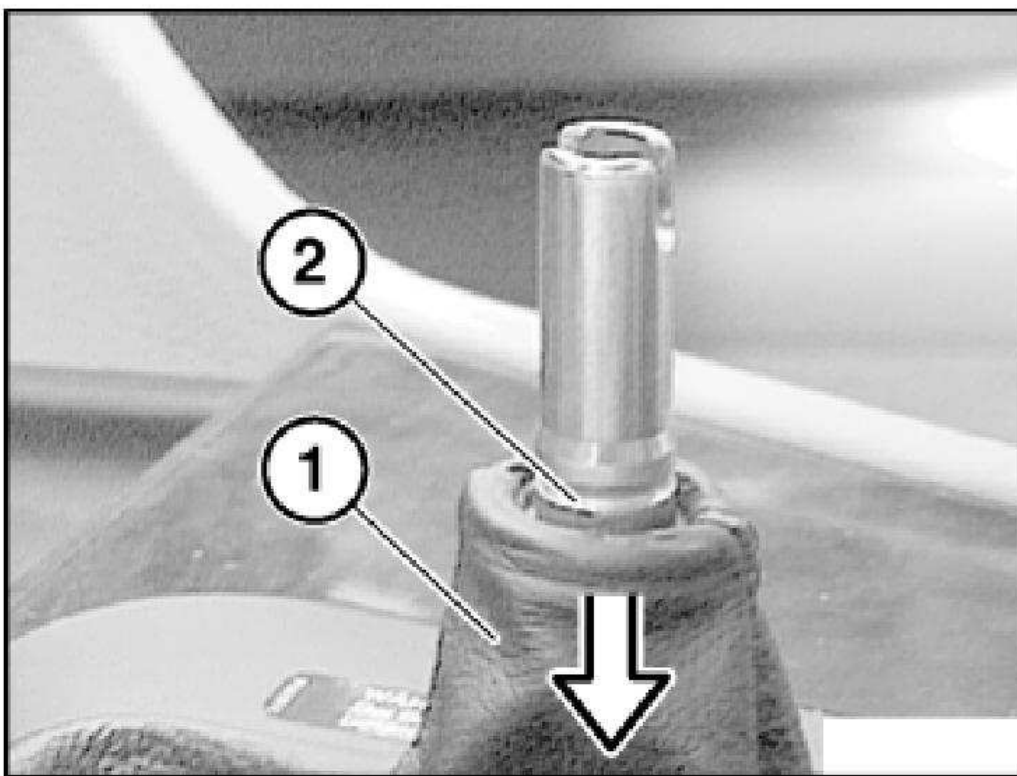
G03124287

**Fig. 200: Attaching Knob To Selector Lever**  
Courtesy of BMW OF NORTH AMERICA, INC.

**Installation:**

Push rubber gaiter (1) down until groove (2) is fully exposed.



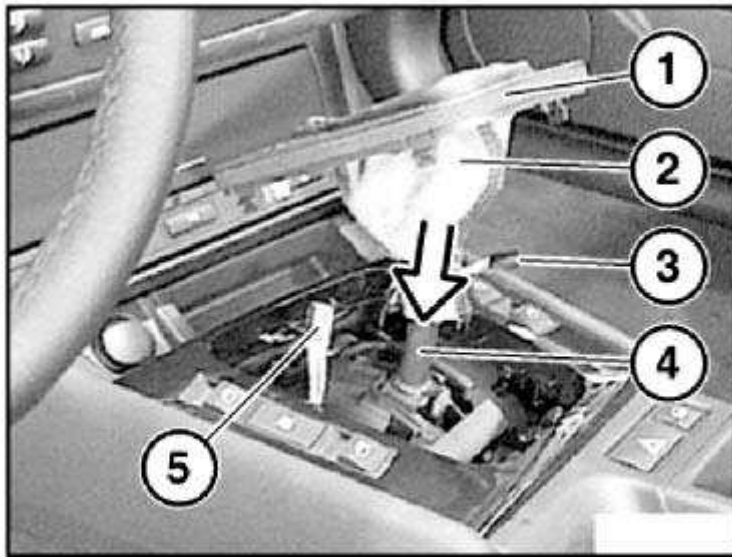


G03124288

**Fig. 201: Installing Push Rubber Gaiter**  
Courtesy of BMW OF NORTH AMERICA, INC.

**Installation:**

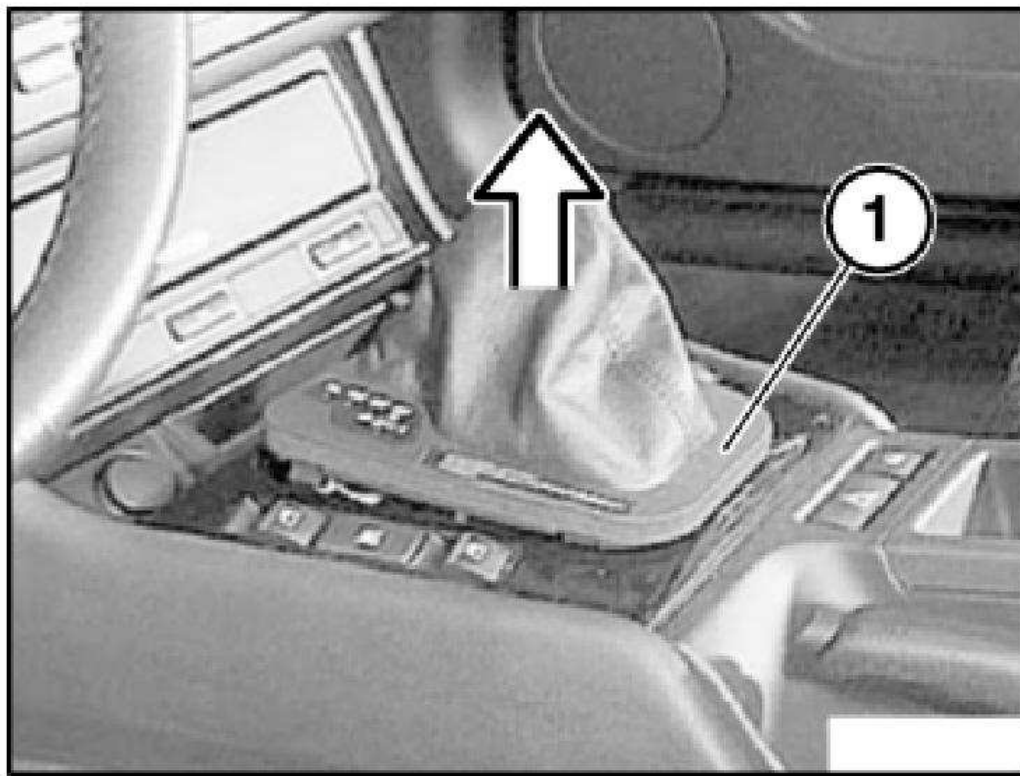
Pull rubber gaiter (2) of trim (1) down and fit onto selector lever (4).  
Attach cable plugs (3) and (5) to trim (1) in center console.



G03124289

**Fig. 202: Installing Pull Rubber Gaiter Of Trim**  
Courtesy of BMW OF NORTH AMERICA, INC.

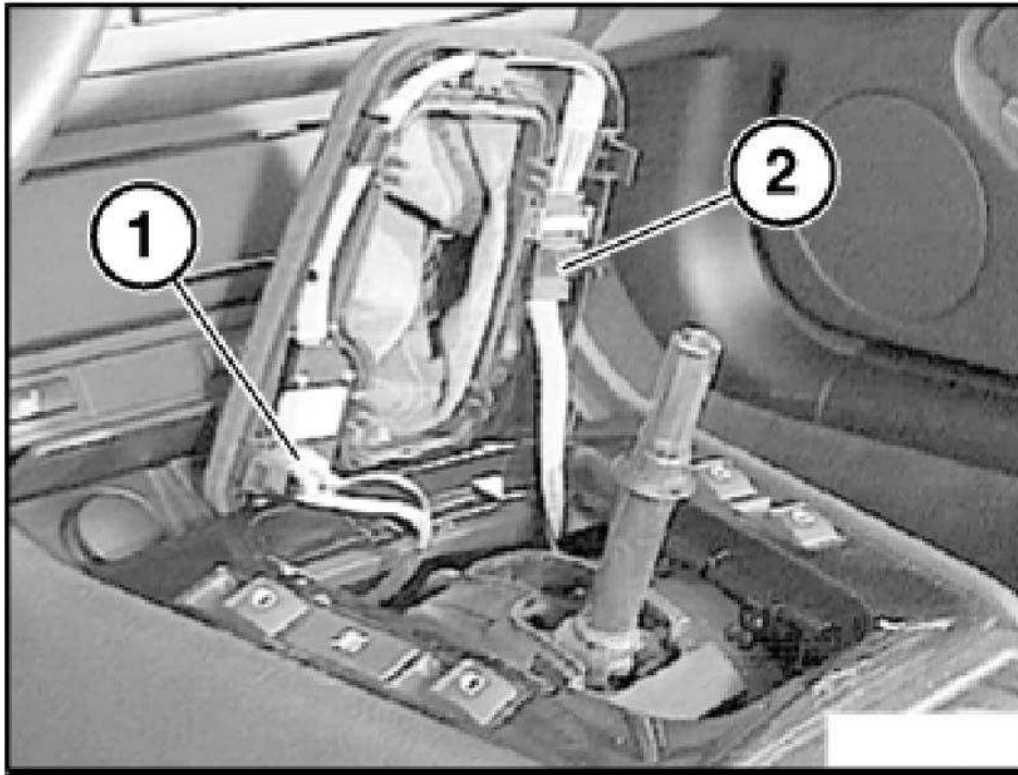
Remove trim (1) with rubber gaiter from center console.



G03124290

**Fig. 203: Removing Trim With Rubber Gaiter From Center Console**  
Courtesy of BMW OF NORTH AMERICA, INC.

Disconnect cable plugs (1) and (2).



G03124291

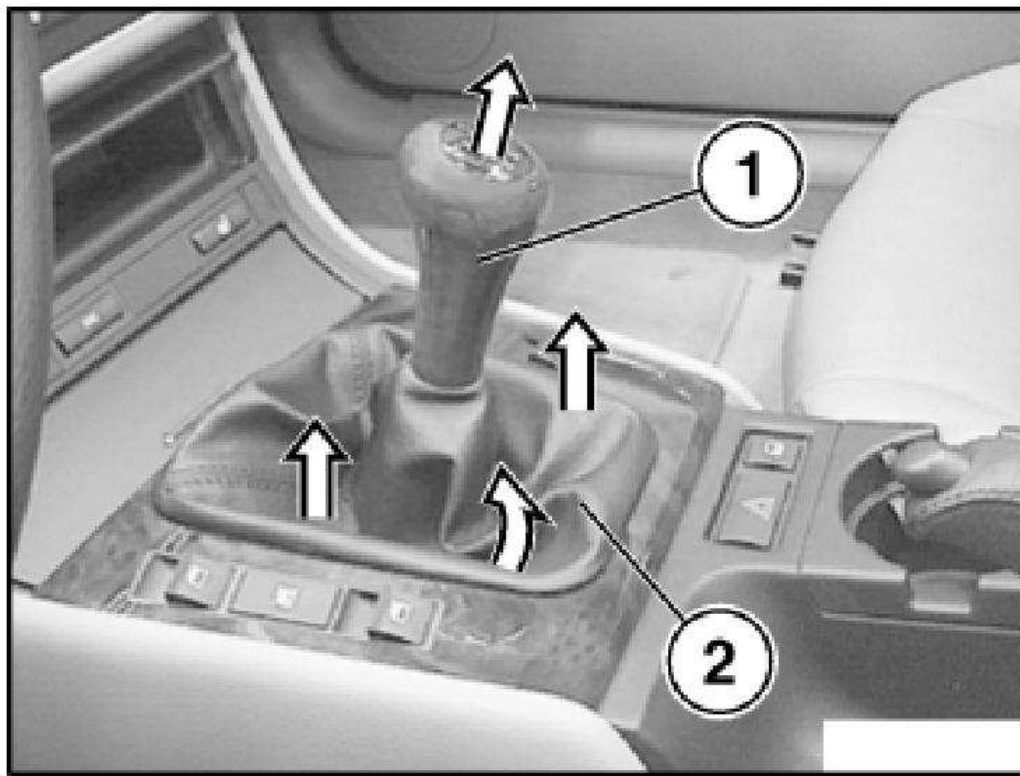
**Fig. 204: Disconnecting Cable Plugs**

Courtesy of BMW OF NORTH AMERICA, INC.

**51 16 211 REMOVING AND INSTALLING/REPLACING FINISHER FOR STORAGE TRAY****Version with automatic transmission only:**

Remove finisher for preselector lever, refer to **REMOVING AND INSTALLING / REPLACING FINISHER FOR PRESELECTOR LEVER**.

Jerkily remove knob (1) for selector lever towards top. Lift out rubber gaiter (2).



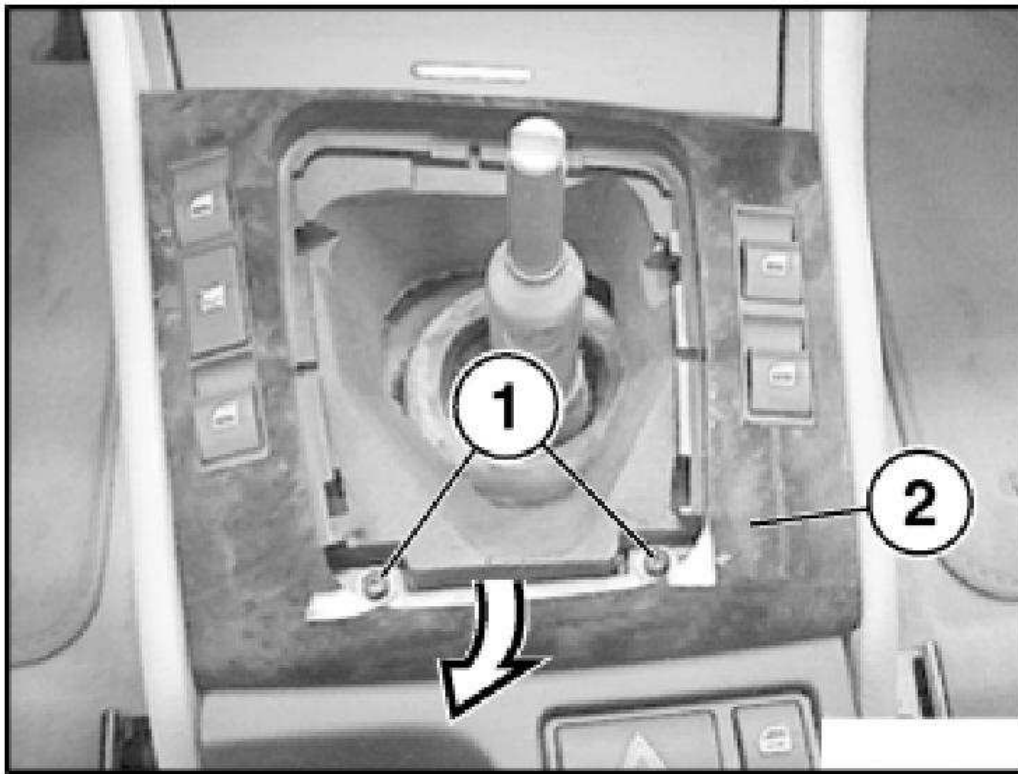
G03124292

**Fig. 205: Removing Knob For Selector Lever**  
Courtesy of BMW OF NORTH AMERICA, INC.

Unscrew bolts (1).

Remove finisher (2) towards rear/top.

Disconnect plug connections and remove finisher (2).



G03124293

**Fig. 206: Unscrewing Bolts**

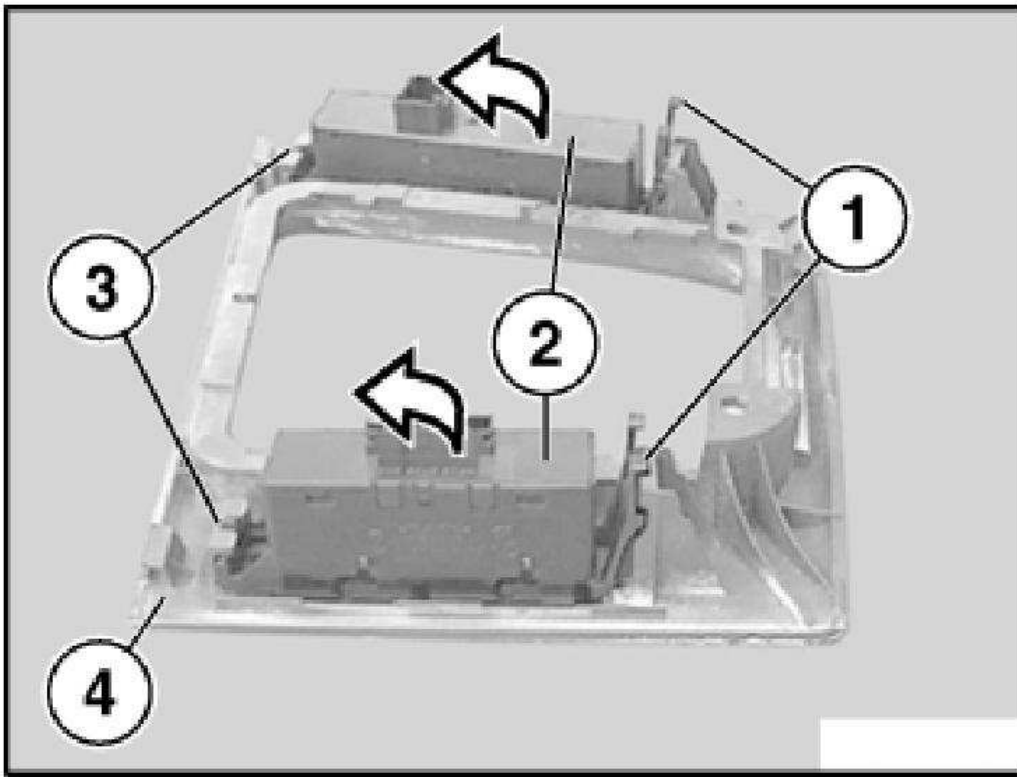
Courtesy of BMW OF NORTH AMERICA, INC.

Replacement only:

Unlock lock (1), unscrew switch (2) towards top from support (3) and remove from finisher (4) for storage tray.

**Installation:**

Check function.



G03124294

**Fig. 207: Unlocking Lock**  
Courtesy of BMW OF NORTH AMERICA, INC.