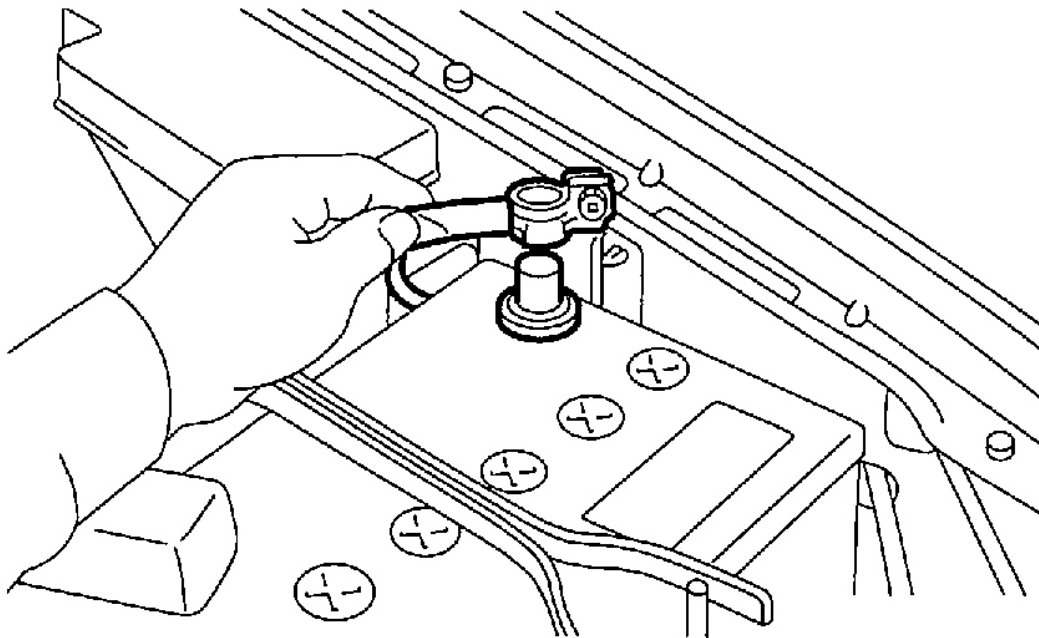


FRONT OXYGEN (A/F) SENSOR

REMOVAL

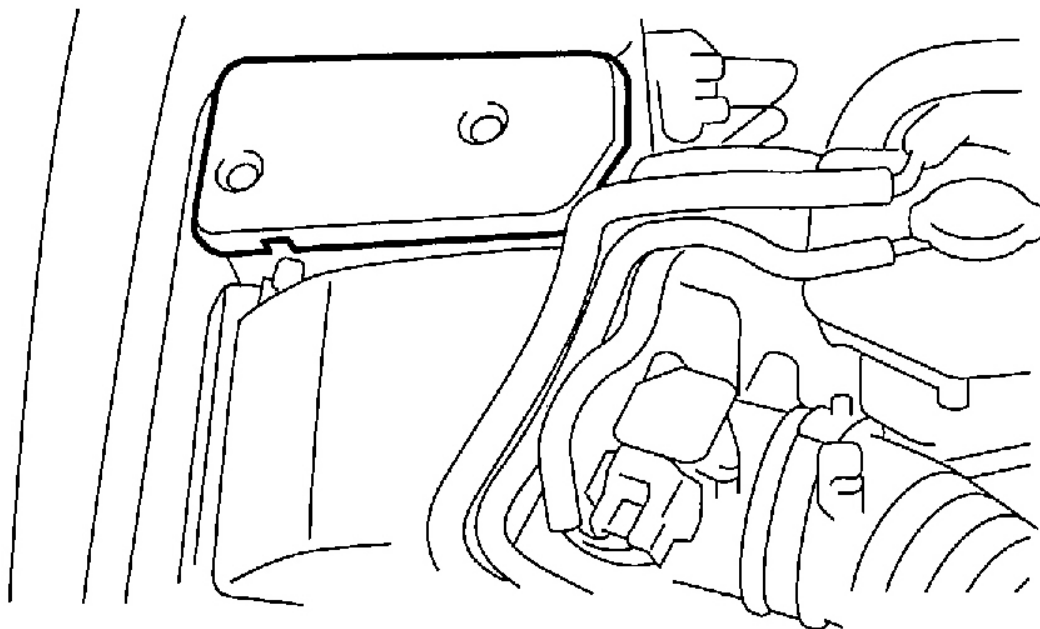
1. Disconnect the battery ground cable.



G02686682

Fig. 47: Disconnecting Battery Ground Cable
Courtesy of SUBARU OF AMERICA, INC.

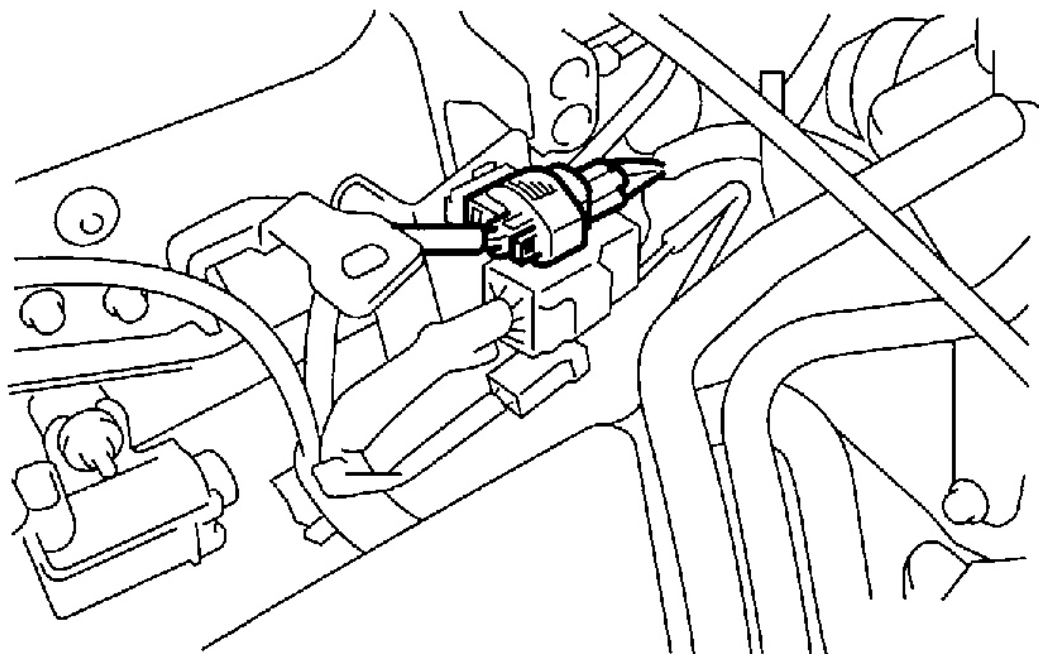
2. Remove the solenoid valve cover.



G02686683

Fig. 48: Removing Solenoid Valve Cover
Courtesy of SUBARU OF AMERICA, INC.

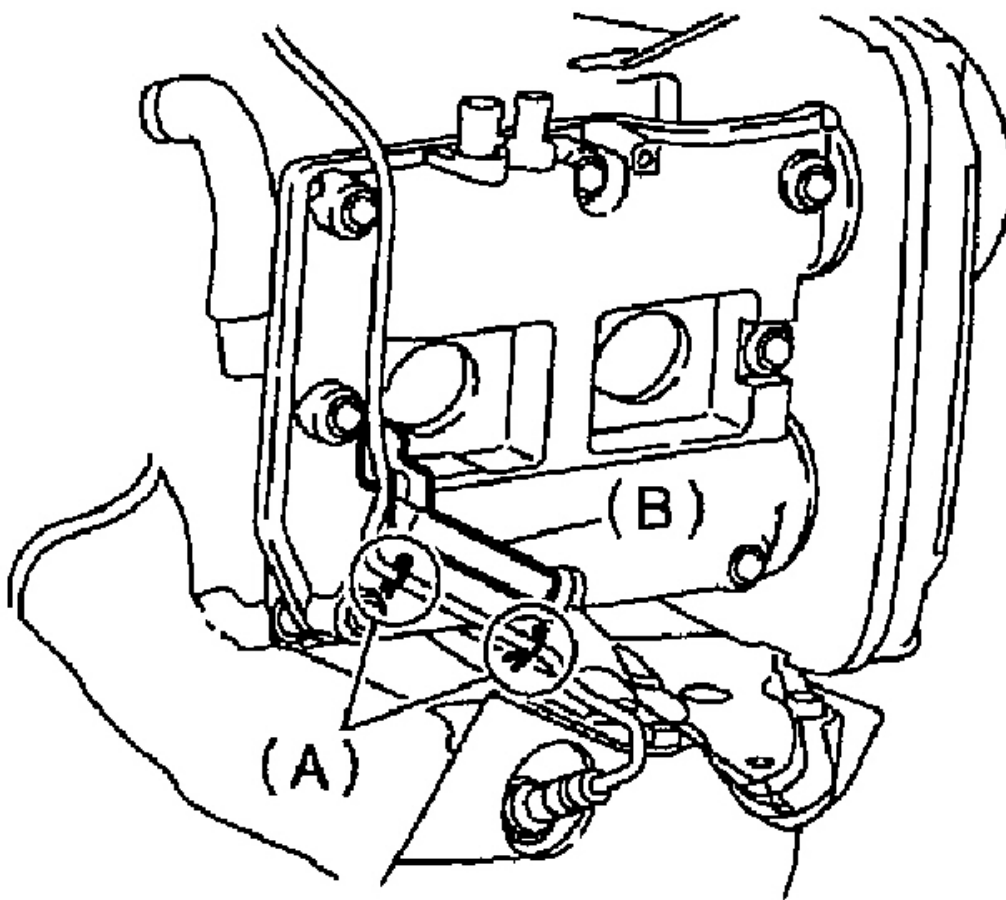
3. Disconnect the connector from the front oxygen (A/F) sensor.



G02686684

Fig. 49: Disconnecting Connector From Front Oxygen (A/F) Sensor
Courtesy of SUBARU OF AMERICA, INC.

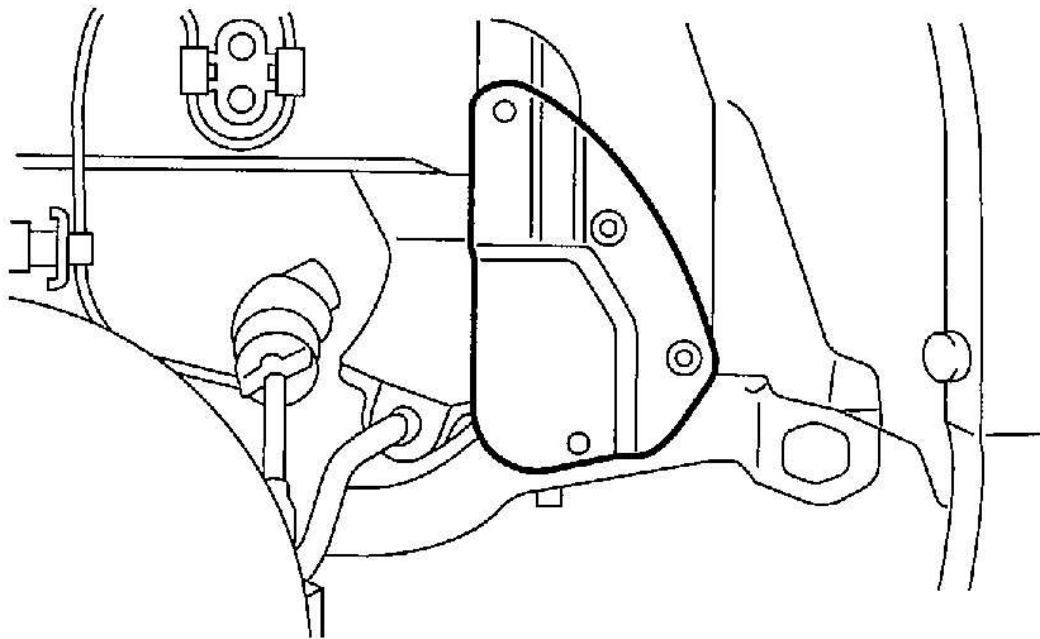
4. Disconnect the engine harness fixed by clip (A) from the bracket (B).



G02686685

Fig. 50: Disconnecting Engine Harness Fixed By Clip From Bracket
Courtesy of SUBARU OF AMERICA, INC.

5. Remove the front right side wheel.
6. Lift-up the vehicle.
7. Remove the service hole cover.



G02686686

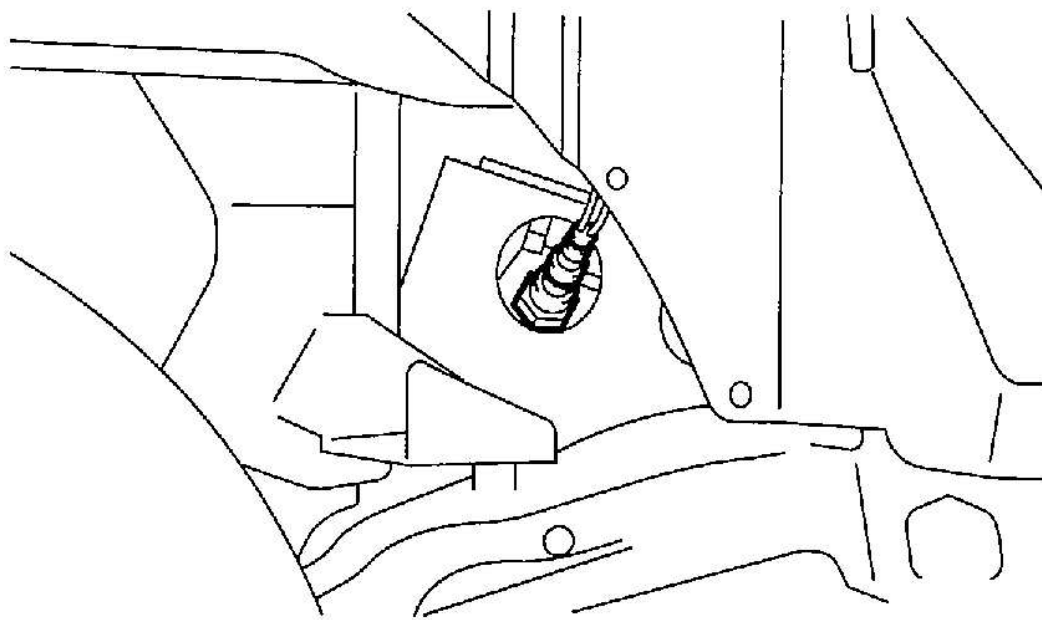
Fig. 51: Removing Service Hole Cover
Courtesy of SUBARU OF AMERICA, INC.

8. Apply SUBARU CRC or its equivalent to the threaded portion of front oxygen (A/F) sensor, and leave it for one minute or more.

SUBARU CRC (Part No. 004301003)

9. Remove the front oxygen (A/F) sensor.

CAUTION: When removing the oxygen (A/F) sensor, wait until exhaust pipe cools, otherwise it will damage exhaust pipe.



G02686687

Fig. 52: Identifying Location Of Front Oxygen (A/F) Sensor
Courtesy of SUBARU OF AMERICA, INC.

INSTALLATION

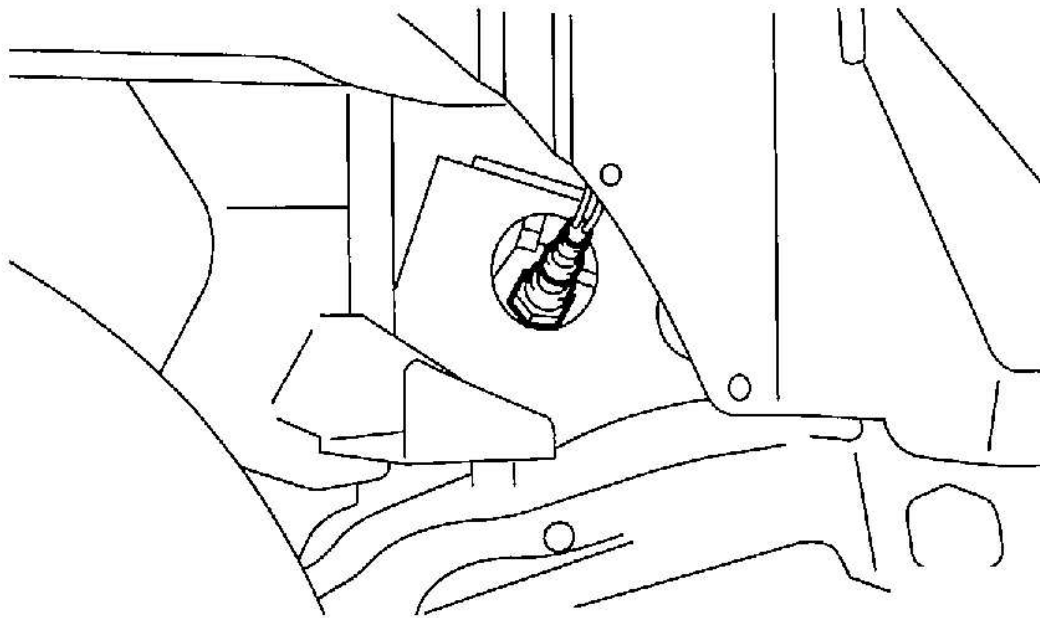
1. Before installing front oxygen (A/F) sensor, apply the anti-seize compound only to the threaded portion of front oxygen (A/F) sensor to make the next removal easier.

Anti-seize compound: SS-30 by JET LUBE

CAUTION: Never apply anti-seize compound to protector of front oxygen (A/F) sensor.

2. Install the front oxygen (A/F) sensor.

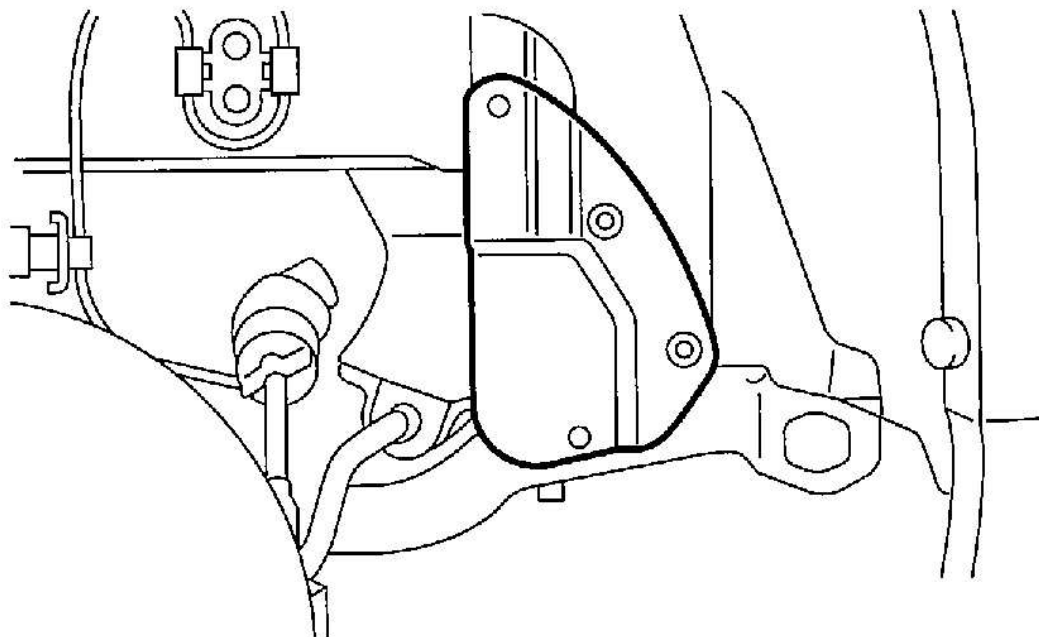
Tightening torque: 21N.m (2.1 kgf-m, 15.2 ft-lb)



G02686688

Fig. 53: Installing Front Oxygen (A/F) Sensor
Courtesy of SUBARU OF AMERICA, INC.

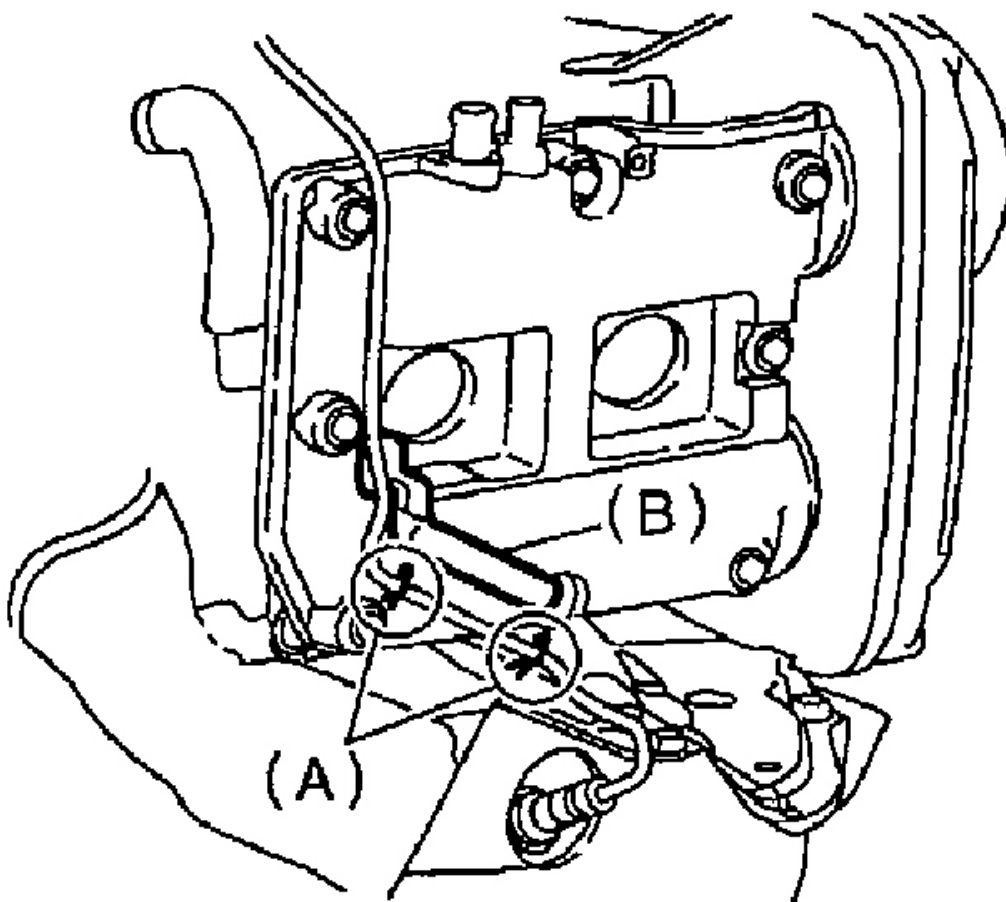
3. Install the service hole cover.



G02686689

Fig. 54: Installing Service Hole Cover
Courtesy of SUBARU OF AMERICA, INC.

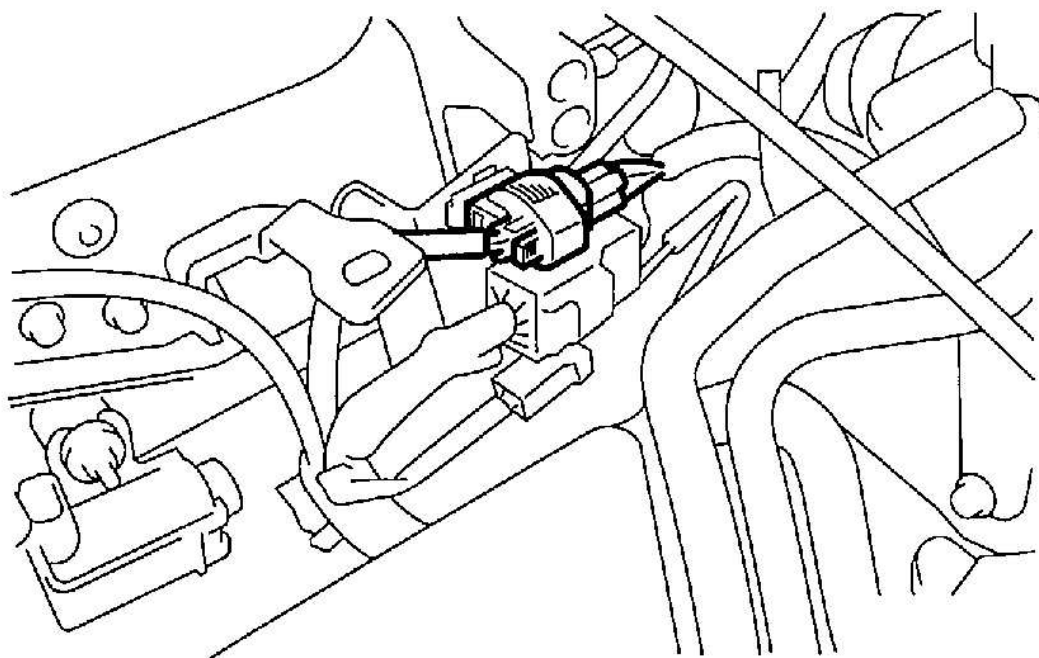
4. Lower the vehicle.
5. Install the front right side wheel.
6. Connect the engine harness with clip (A) to the bracket (B).



G02686690

Fig. 55: Connecting Engine Harness With Clip To Bracket
Courtesy of SUBARU OF AMERICA, INC.

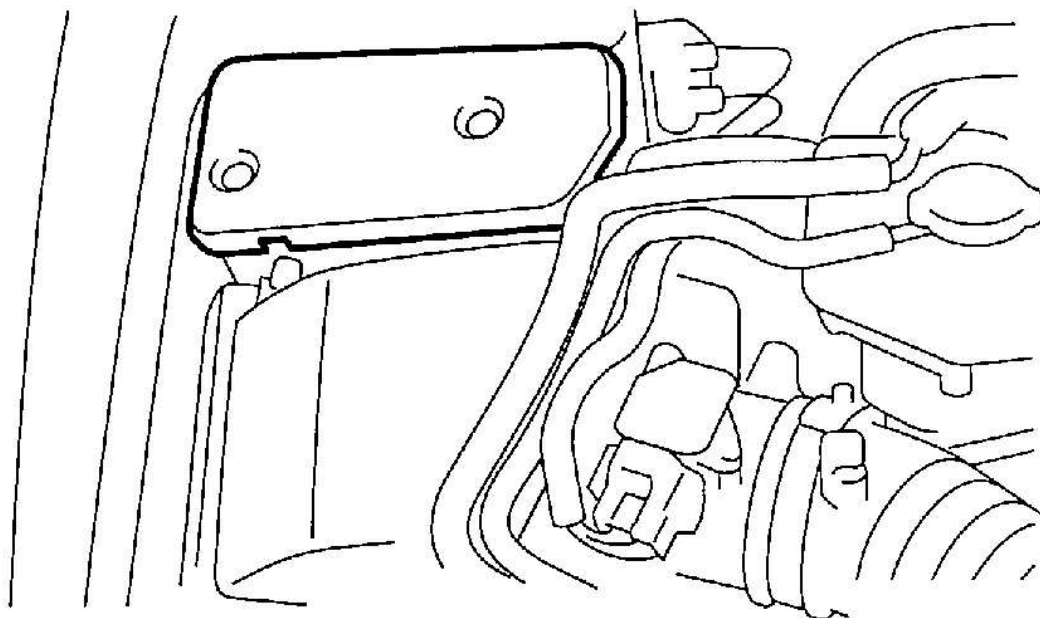
7. Connect the connector of front oxygen (A/F) sensor.



G02686691

Fig. 56: Connecting Connector Of Front Oxygen (A/F) Sensor
Courtesy of SUBARU OF AMERICA, INC.

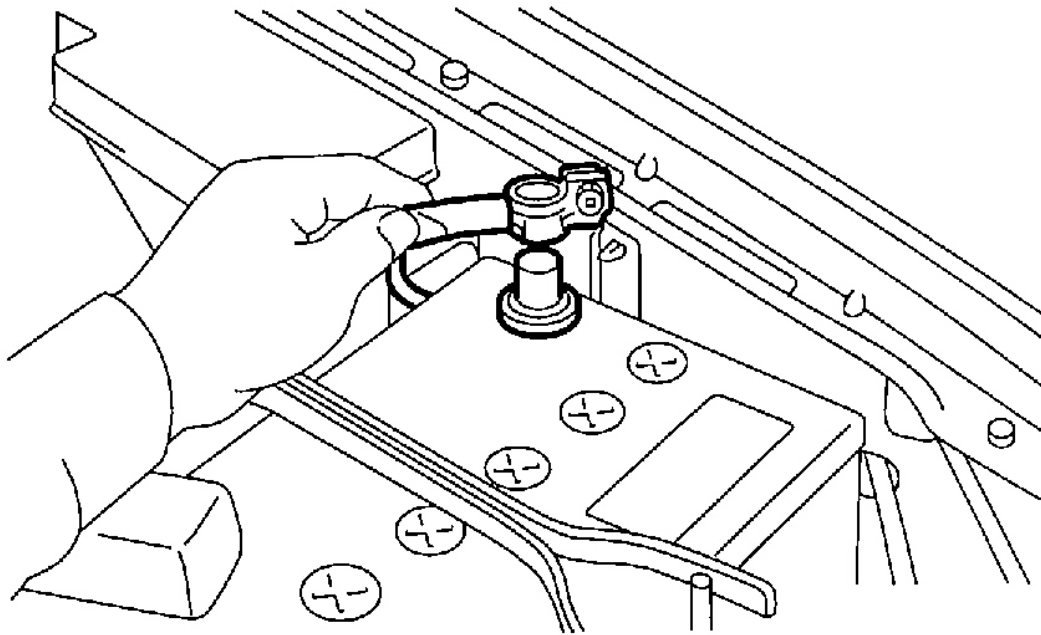
8. Install the solenoid valve cover.



G02686692

Fig. 57: Installing Solenoid Valve Cover
Courtesy of SUBARU OF AMERICA, INC.

9. Connect the battery ground cable.



G02686693

Fig. 58: Connecting Battery Ground Cable
Courtesy of SUBARU OF AMERICA, INC.