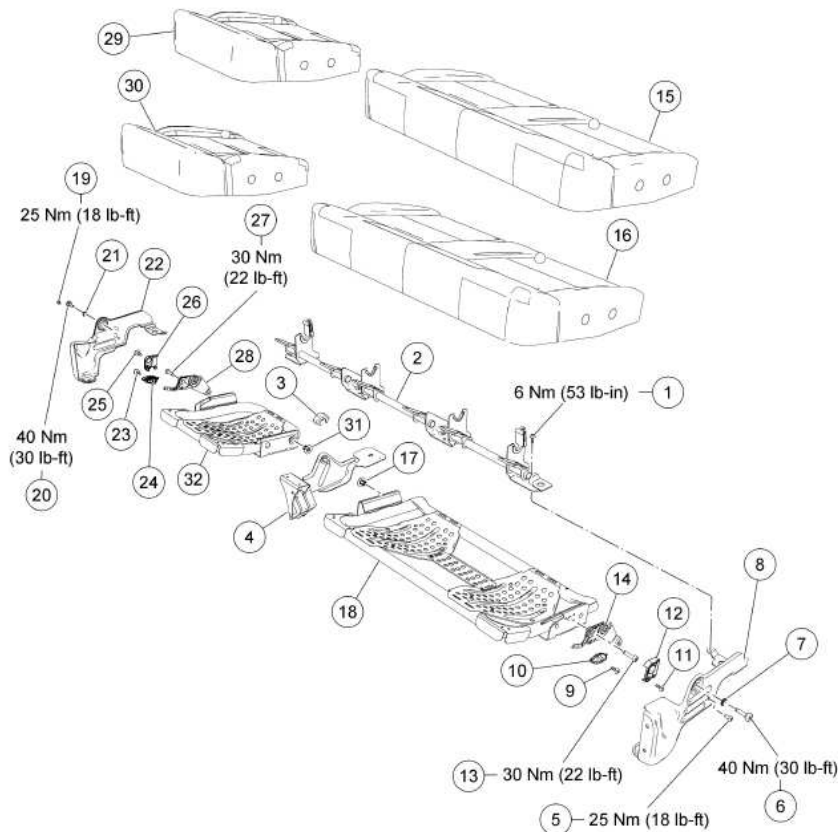


2006 Ford Pickup F150

2006 ACCESSORIES & BODY, CAB Seating - F150 & Mark LT

Rear Seat Cushion

NOTE: SuperCab shown, SuperCrew similar.



N0010753

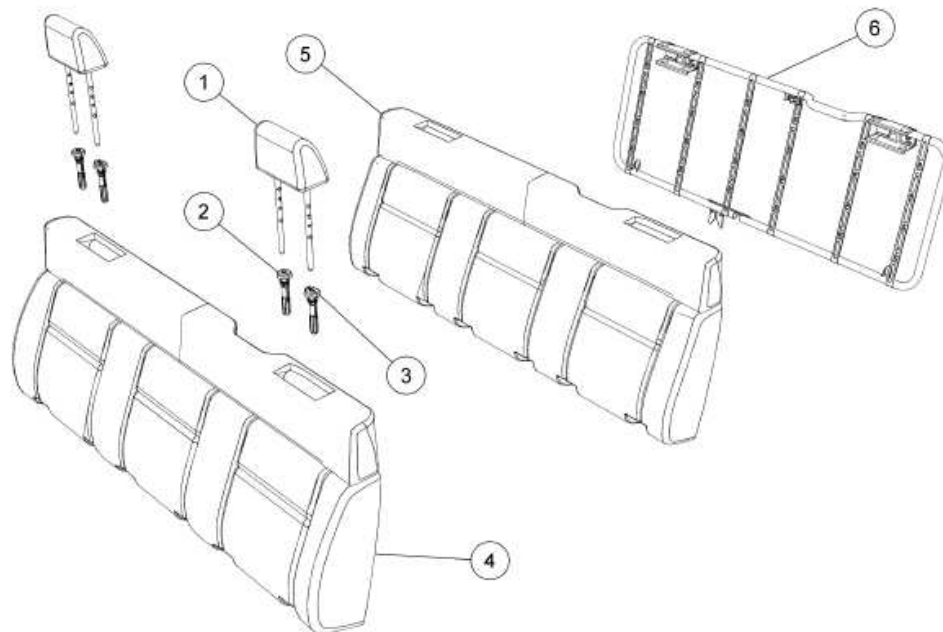
Item	Part Number	Description
1	—	Rear seat lower anchors and tethers for children (LATCH) bolts (4 required)
2	—	Rear seat LATCH
3	638A96	60/40 seat retention clip
4	60674	Center support riser
5	—	60 percent support riser bolt
6	—	60 percent support riser pivot bolt
7	605A56	60 percent outboard support riser bolt bushing
8	—	Left support riser
9	67413	60 percent seat cushion latch handle screw
10	61735	60 percent seat cushion latch handle
11	—	60 percent seat cushion latch cover screw
12	638A87	60 percent seat cushion latch cover
13	—	60 percent seat latch cushion bolt
14	67413	60 percent seat cushion latch
15	63805	60 percent cushion trim cover
16	63841	60 percent cushion foam pad

Item	Part Number	Description
17	638A80	60 percent inboard pivot bushing
18	—	60 percent cushion frame
19	—	40 percent support riser bolt
20	—	40 percent support riser pivot bolt
21	605A56	40 percent outboard support riser bolt bushing
22	60674	Right support riser
23	—	40 percent seat cushion latch handle screw
24	61736	40 percent seat cushion latch handle
25	—	40 percent seat cushion latch cover screw
26	638A86	40 percent seat cushion latch cover
27	—	40 percent seat cushion latch bolt
28	67412	40 percent seat cushion latch
29	63804	40 percent cushion trim cover
30	63840	40 percent cushion foam pad
31	638A80	40 percent inboard pivot bushing
32	—	40 percent cushion frame

Fig. 153: Exploded View Of Rear Seat Cushion & Torque Specification

Courtesy of FORD MOTOR CO.

Rear Seat Backrest



N0010750

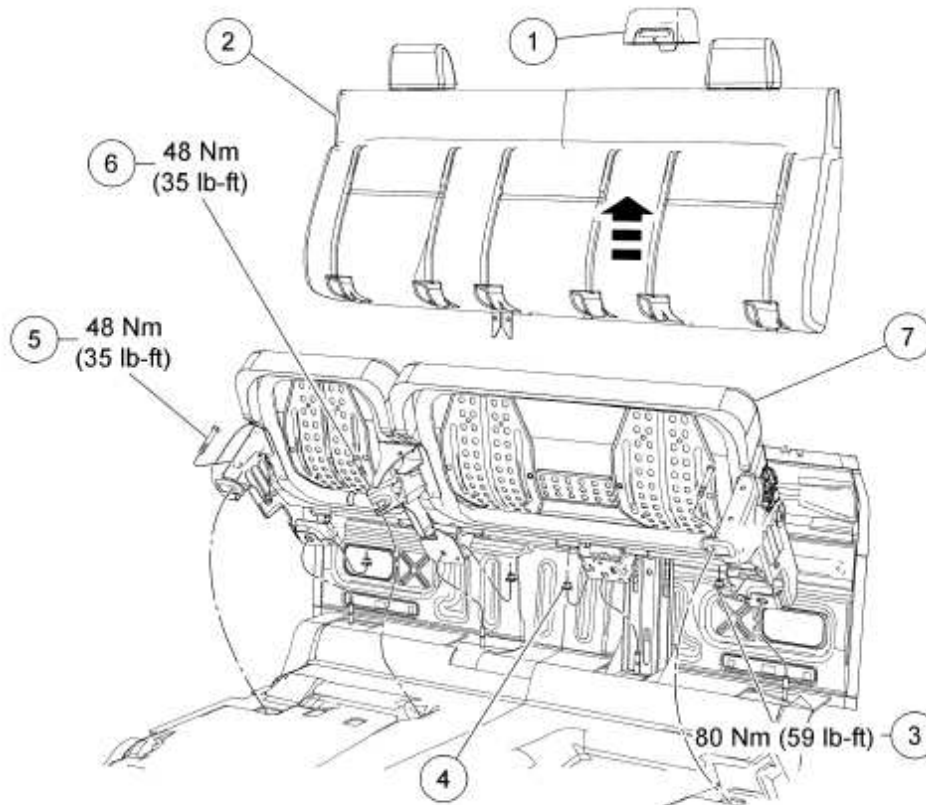
Item	Part Number	Description
1	611A08	Head restraint (2 required)
2	613D58	Head restraint sleeve (2 required)
3	613D58	Head restraint sleeve (2 required)
4	66600	Backrest trim cover

Item	Part Number	Description
5	66801	Backrest foam pad
6	613A38	Backrest frame

Fig. 154: Exploded View Of Rear Seat Backrest

Courtesy of FORD MOTOR CO.

SEAT - REAR



N0010758

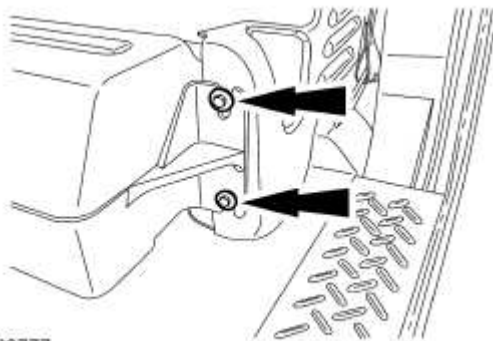
Item	Part Number	Description
1	—	Rear seat safety belt cover
2	—	Rear seat backrest
3	W708731	Rear seat riser-to-floor outboard nut (2 required)
4	W708731	Rear seat riser-to-floor inboard nut (2 required)
5	W710059	Rear seat LH riser bolt (2 required)
6	W709826	Rear seat center riser-to-floor bolt
7	—	Rear seat cushion assembly

Fig. 155: Exploded View Of Rear Seat & Torque Specification
 Courtesy of FORD MOTOR CO.

Removal

Rear seat cushion

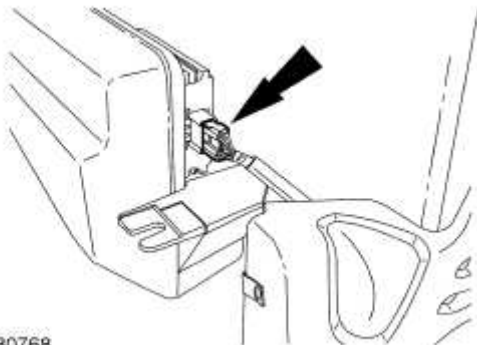
1. If equipped with a rear subwoofer, remove the 3 fasteners (2 shown).



A0080777

Fig. 156: Locating Fasteners
Courtesy of FORD MOTOR CO.

2. If equipped, rotate the subwoofer forward and disconnect the electrical connector.



A0080768

Fig. 157: Locating Electrical Connector
Courtesy of FORD MOTOR CO.

Rear seat cushion or backrest

3. Remove the safety belt cover.
 1. Remove the fasteners cover.
 2. Remove the 2 nuts.
 3. Lift up and remove cover from safety belt tower.

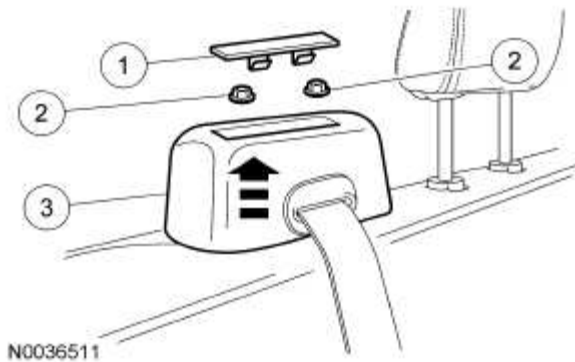


Fig. 158: Removing Cover
Courtesy of FORD MOTOR CO.

NOTE: There are retaining clips that must be released to remove the rear seat backrest.

NOTE: The rear seat backrest trim cover and foam pad is removed for clarity.

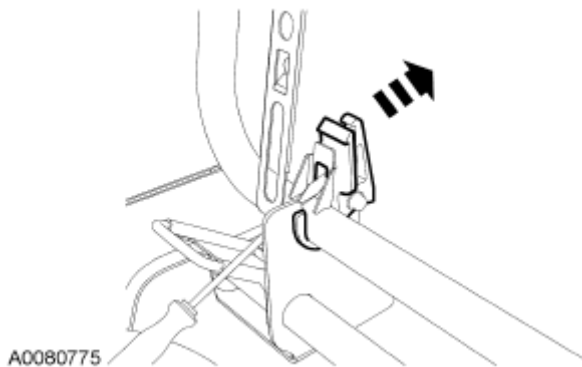


Fig. 159: Releasing Retaining Clip
Courtesy of FORD MOTOR CO.

4. To locate the retaining clips, align a screwdriver with the inboard portion of the outboard LATCH attachment points. Be careful not to damage the seat trim covers. Make contact with the rounded portion of the backrest frame and work the screwdriver upward until the screwdriver clears the rounded portion of the backrest frame. At this point the screwdriver should be located at the access hole. Press down on the backrest slightly (this is crucial, otherwise the retaining clip may not release), press the screwdriver rearward to release the retaining clip, then lift the backrest upward. Repeat this process to release the other side of the backrest.
5. Pull some of the safety belt webbing out of the rear center safety belt retractor, slide the rear seat backrest out from the webbing and out of the vehicle.

Rear seat cushion

CAUTION: Do not operate the vehicle with the rear seat cushion removed. The 2 rear outboard nuts hold the chassis to the frame, and the chassis may move if driven. Discard the 2 outboard nuts and install new.

6. Remove the 2 rear seat riser-to-floor outboard nuts.
7. Remove the 2 rear seat riser-to-floor inboard nuts.
8. Remove the 2 rear seat outboard riser-to-floor bolts.
 - With the seat in the normal sitting position, lift the seat cushions up for access to the rear seat front attachment fasteners.
9. Remove the rear seat center riser-to-floor bolt.
10. Remove the rear seat cushion assembly.

Installation

Rear seat cushion

1. Position the rear seat cushion assembly in the vehicle.
2. Install the rear seat center riser-to-floor bolt.
 - Tighten to 48 Nm (35 lb-ft).
3. Install the 2 rear seat riser-to-floor outboard bolts.
 - Tighten to 80 Nm (59 lb-ft).
4. Install the 2 rear seat riser-to-floor inboard nuts.
 - Tighten to 80 Nm (59 lb-ft).
5. Install 2 new rear seat riser-to-floor outboard nuts.
 - Tighten to 80 Nm (59 lb-ft).

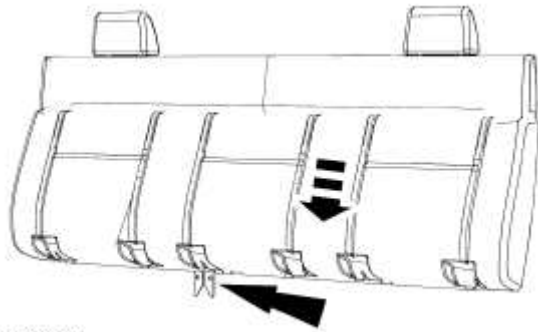
Rear seat cushion or backrest

6. Pull some of the safety belt webbing out of the rear center safety belt retractor, slide the rear seat backrest under the webbing and position it into the vehicle.

NOTE: Make sure the seat backrest lower retaining clips are completely seated before installing the seat backrest.

NOTE: Make sure the safety belt webbing is not twisted prior to installation.

NOTE: Make sure that the safety belt buckles are accessible after seat installation.



A0080902

Fig. 160: Pressing Backrest
Courtesy of FORD MOTOR CO.

7. To install, align the locators near the right center of the backrest and press the backrest downward until the retaining clips are engaged.
8. Install the safety belt cover.
 1. Place the cover over the safety belt tower.
 2. Install the 2 nuts.
 3. Install the fasteners cover.