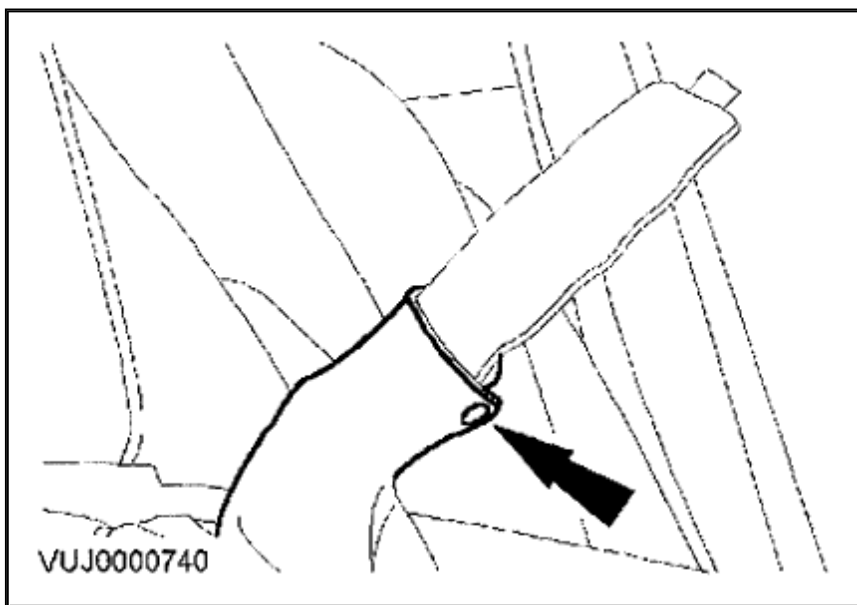


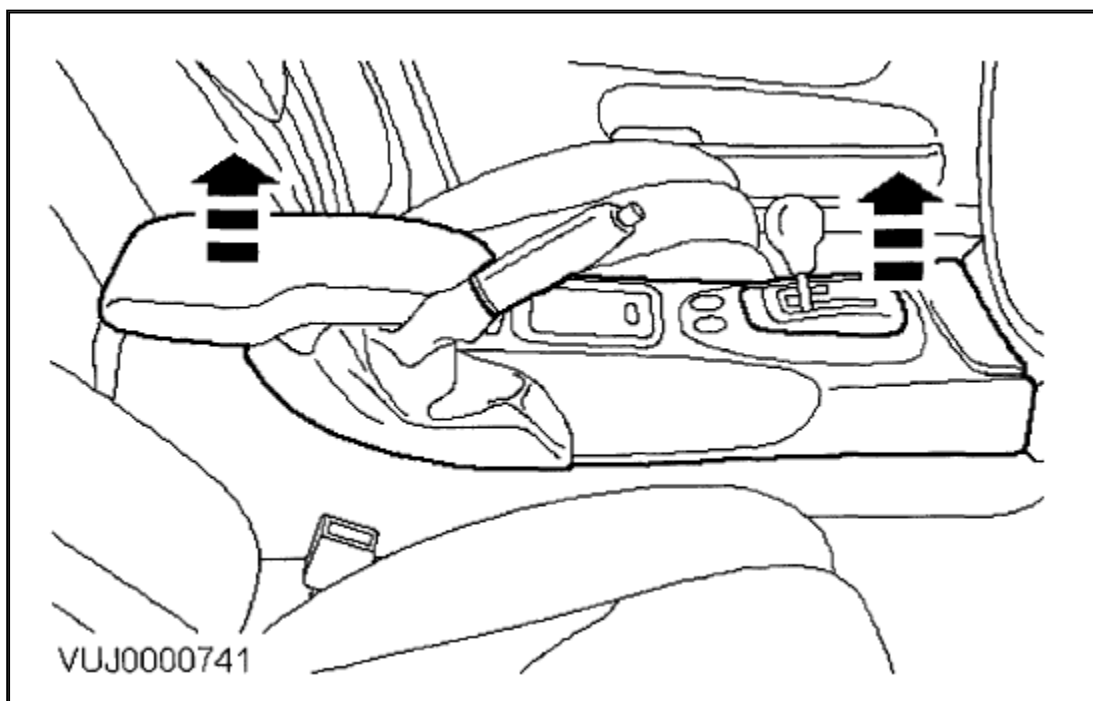
Removal



Zoom

Sized for Print

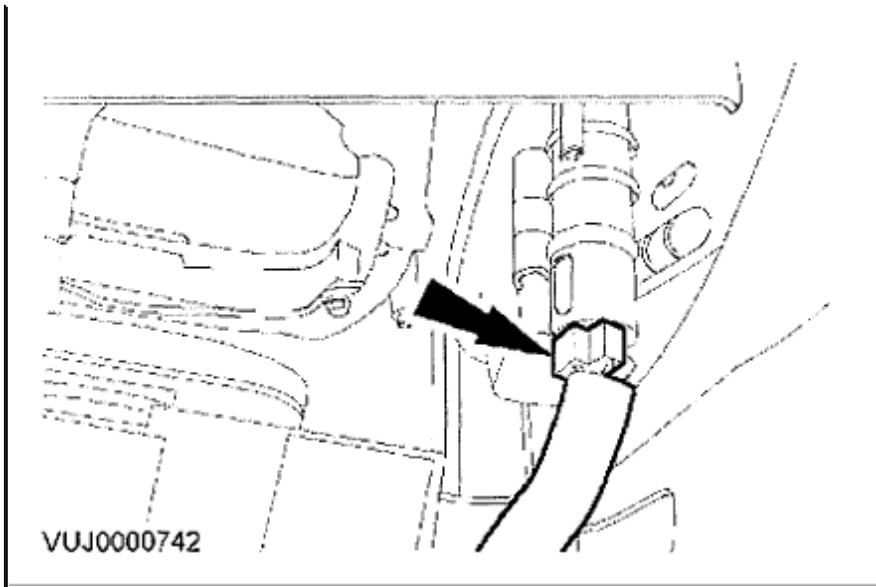
1. Unclip the parking brake boot.



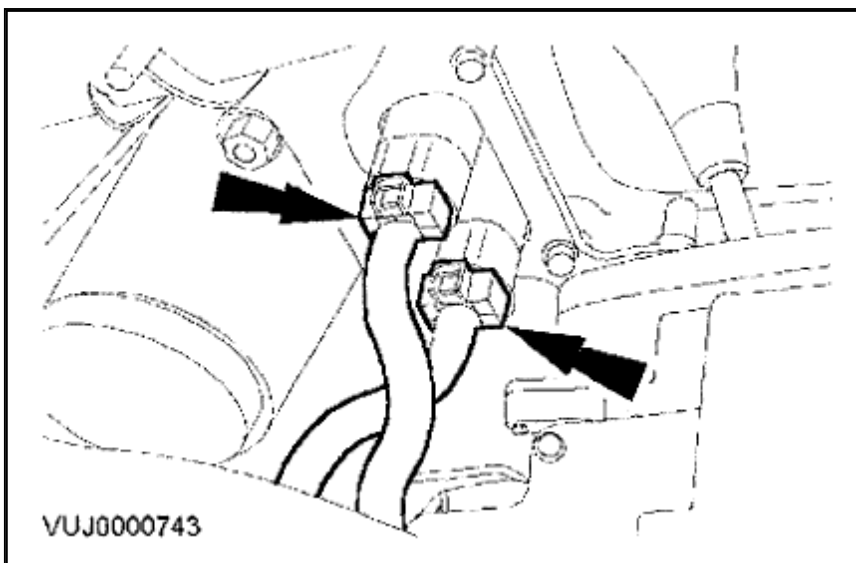
Zoom

Sized for Print

2. Detach the center console upper section.
-

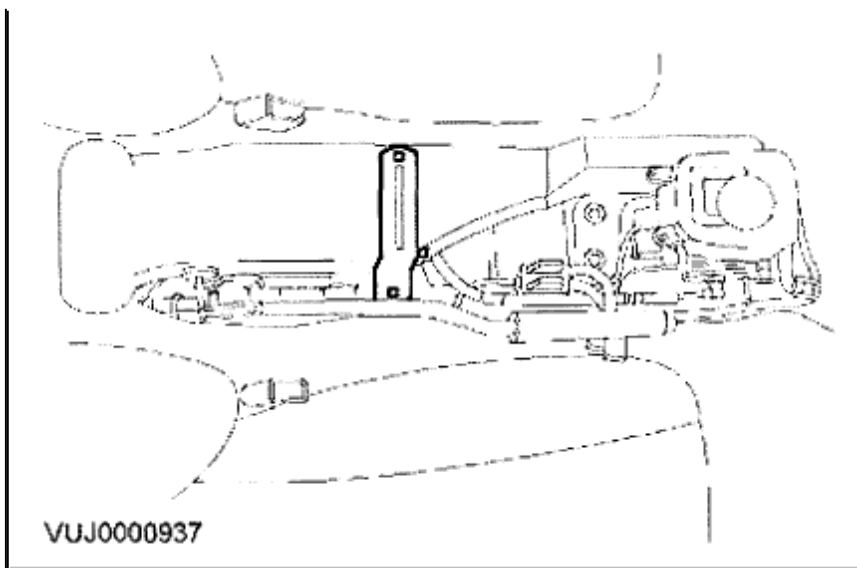
[Zoom](#)[Sized for Print](#)

3. Disconnect the cigar lighter electrical connector.

[Zoom](#)[Sized for Print](#)

4. Remove the center console upper section. Disconnect the transmission mode, traction control and cellular phone electrical connectors if fitted.

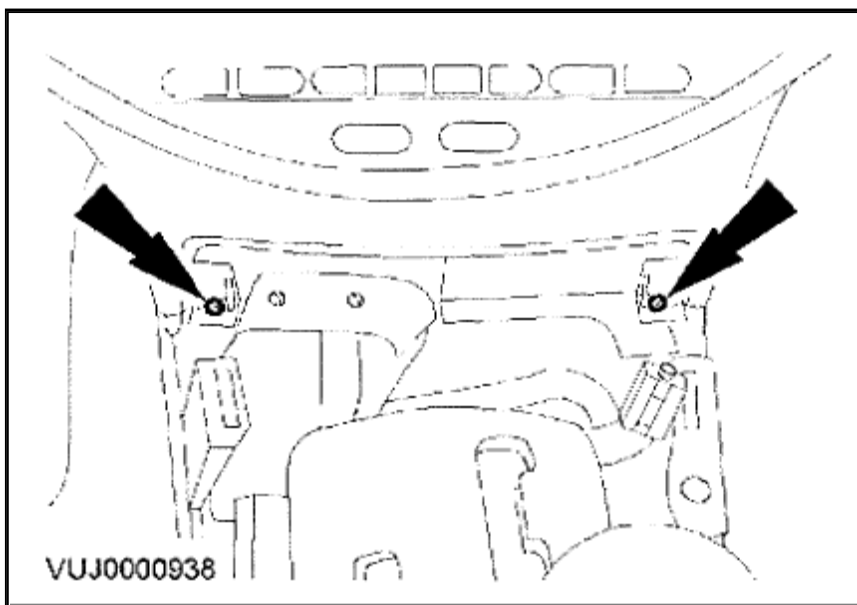




Zoom

Sized for Print

5. Detach the center console.

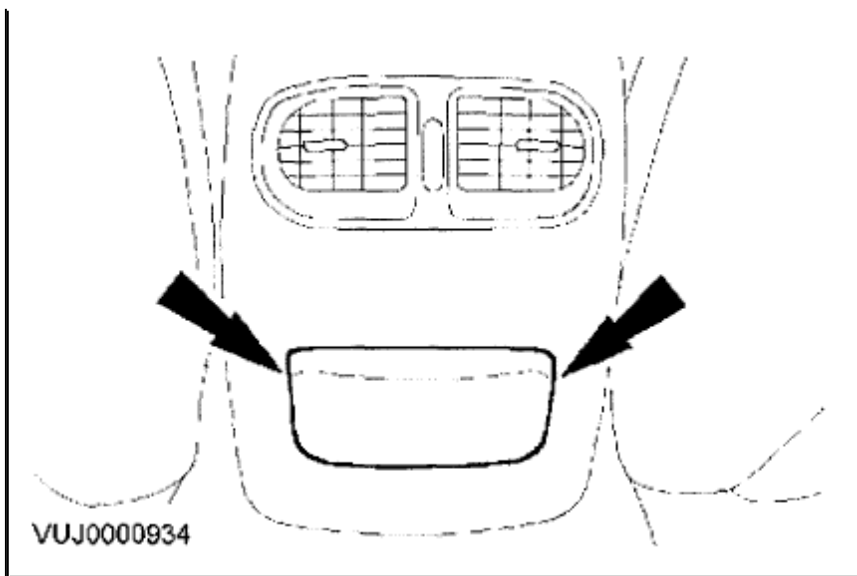


Zoom

Sized for Print

6. Remove the lower center console front screws.

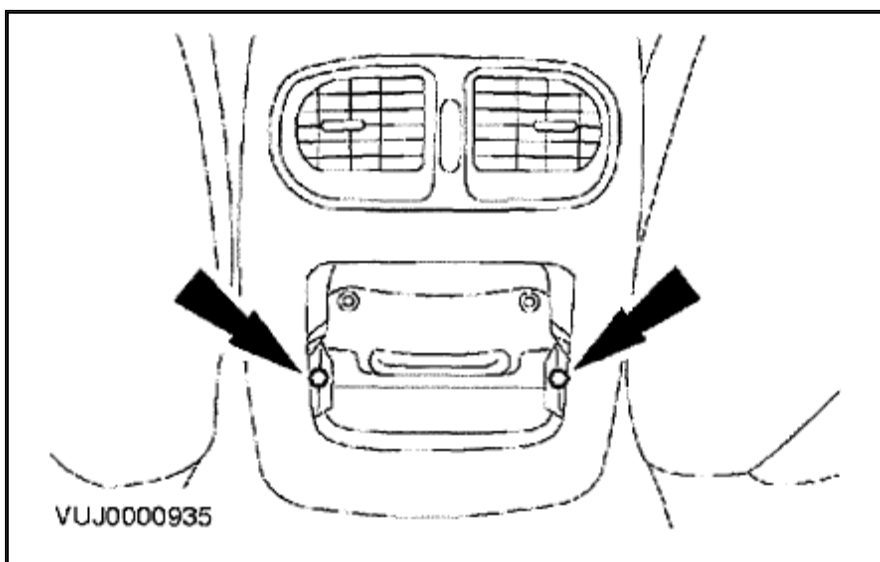




Zoom

Sized for Print

7. Remove the center console rear compartment.

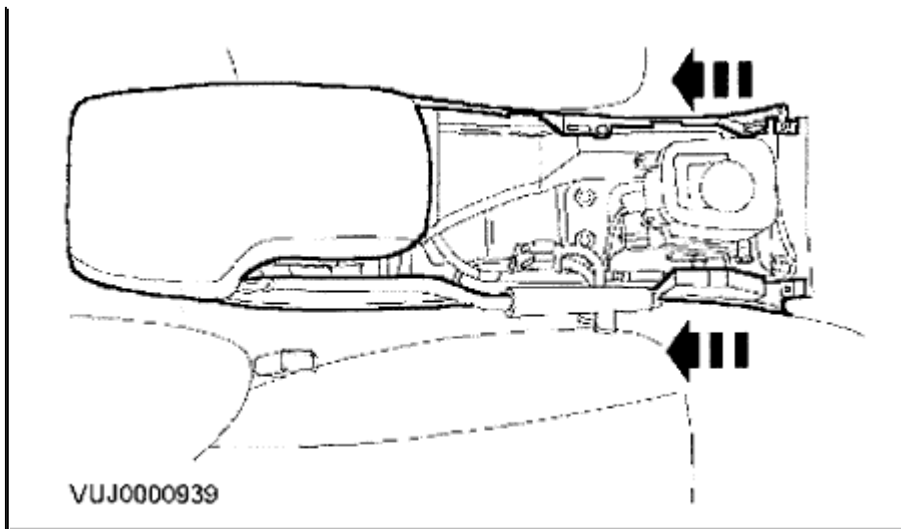


Zoom

Sized for Print

8. Detach the lower center console.





Zoom

Sized for Print

9. Remove the lower center console.

Installation

1. To install, reverse the removal procedure.