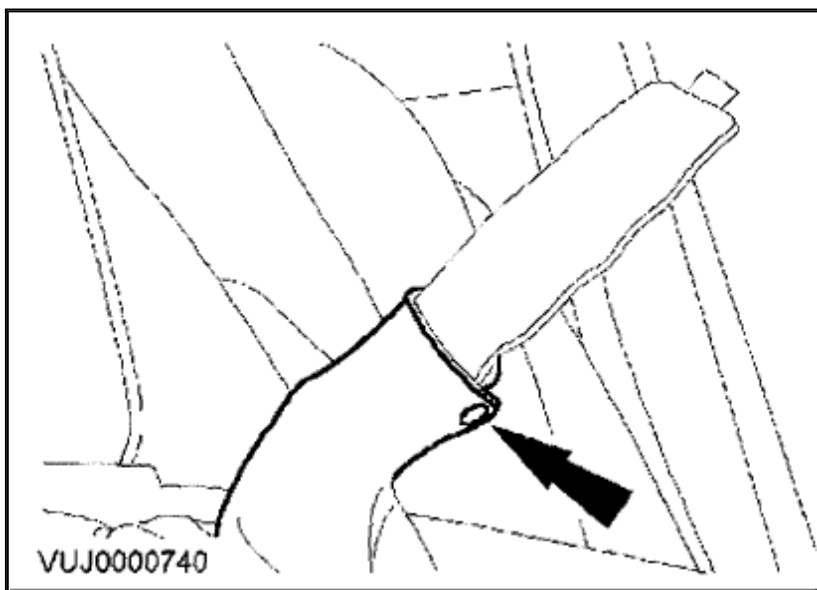


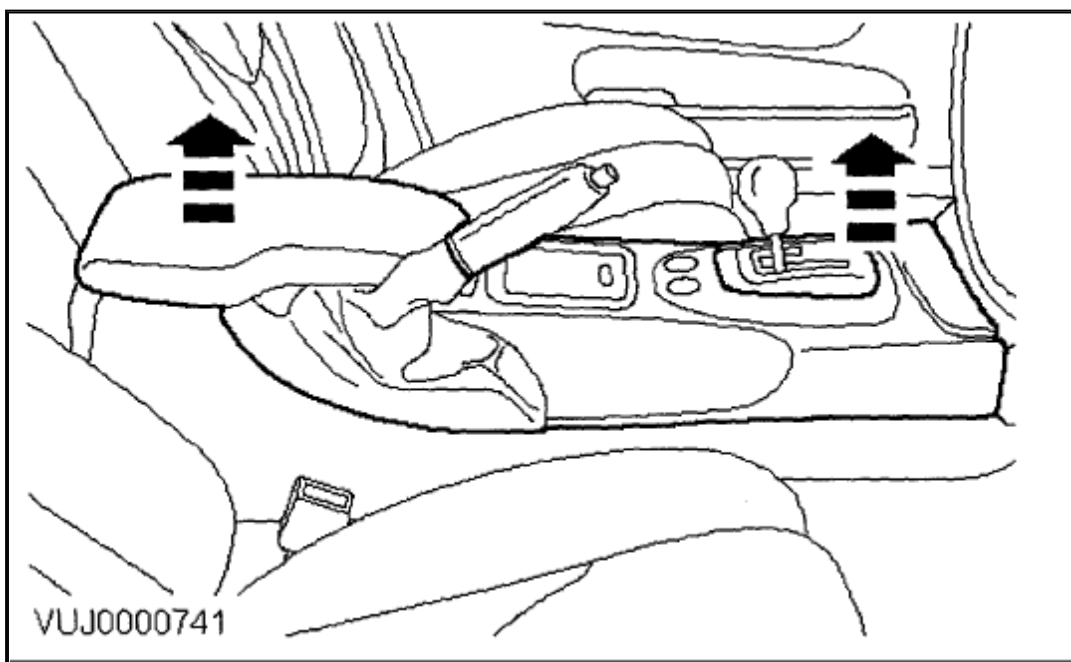
Cable Adjustment



Zoom

Sized for Print

1. Unclip the parking brake boot.

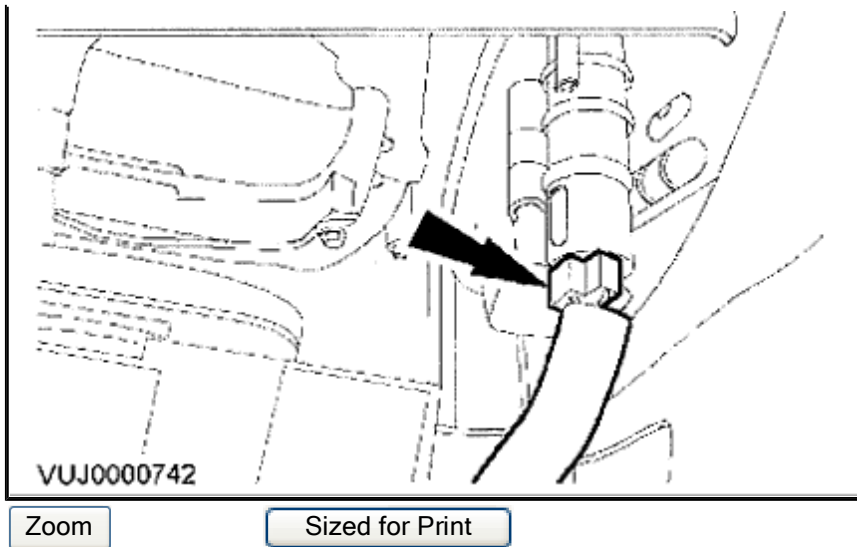


Zoom

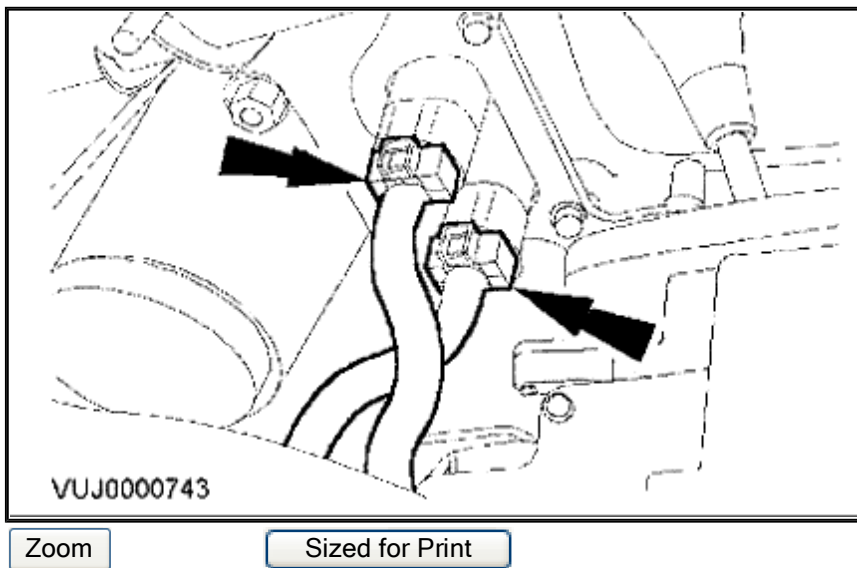
Sized for Print

2. Detach the center console upper section.



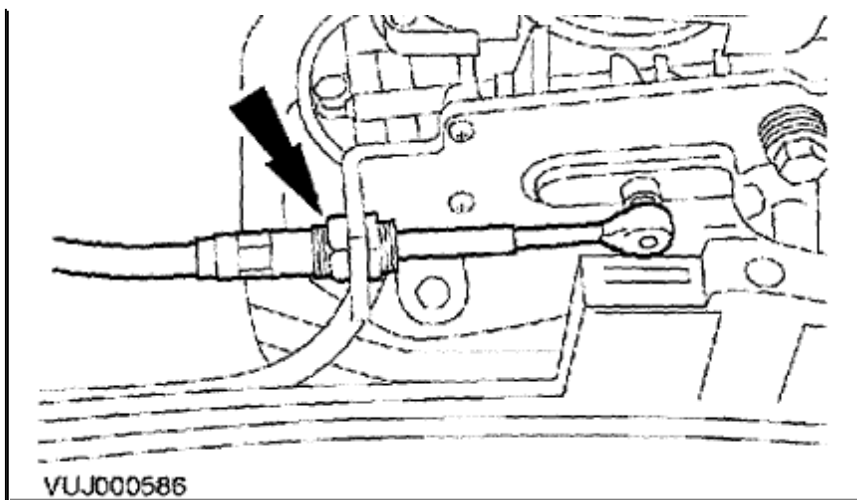


3. Disconnect the cigar lighter electrical connector.

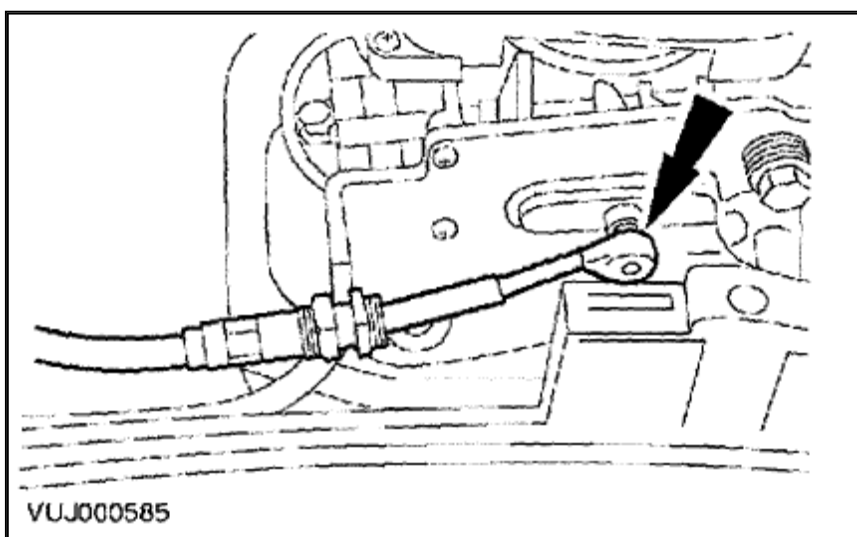


4. Remove the center console upper section. Disconnect the transmission mode and traction control electrical connectors.
5. Move the selector lever to position "R".



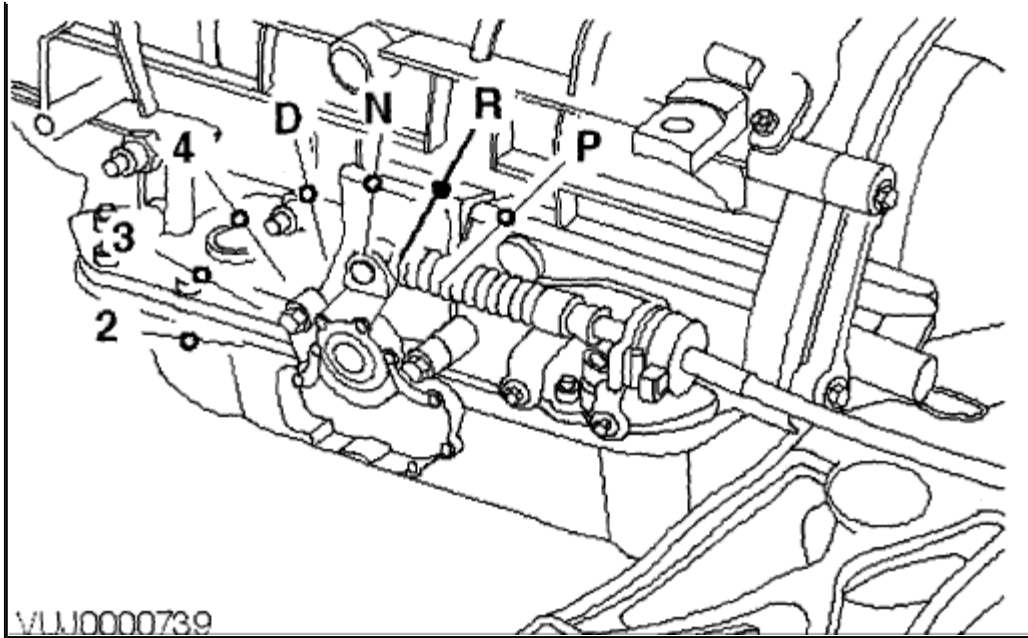
[Zoom](#)[Sized for Print](#)

6. Loosen the selector cable lock nut.

[Zoom](#)[Sized for Print](#)

7. Detach the selector cable.
8. Raise and support the vehicle.

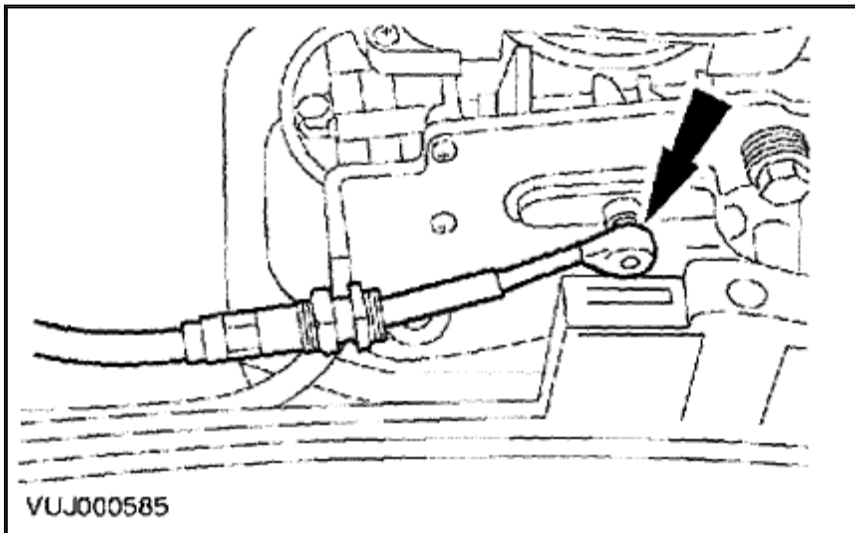




Zoom

Sized for Print

9. **NOTE:** The transmission selector lever has its own detent mechanism. There is no need to hold it after engaging gear. Move the rotary position switch to the "R" position.
10. Lower the vehicle.
11. Move the selector lever to position "R".

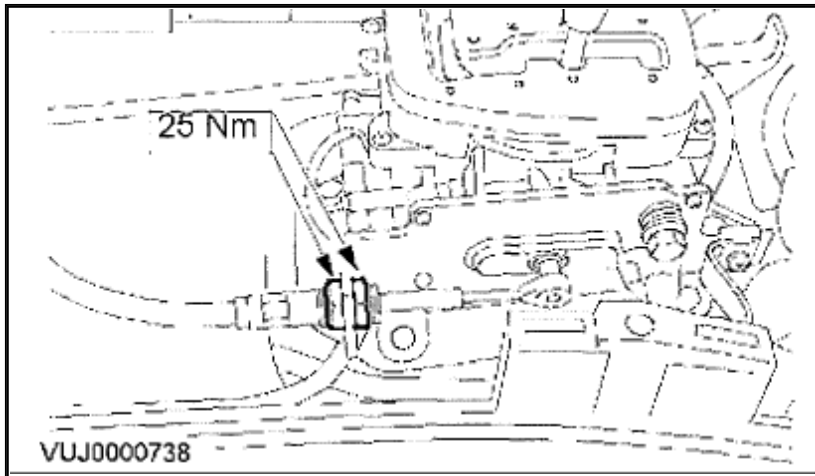


Zoom

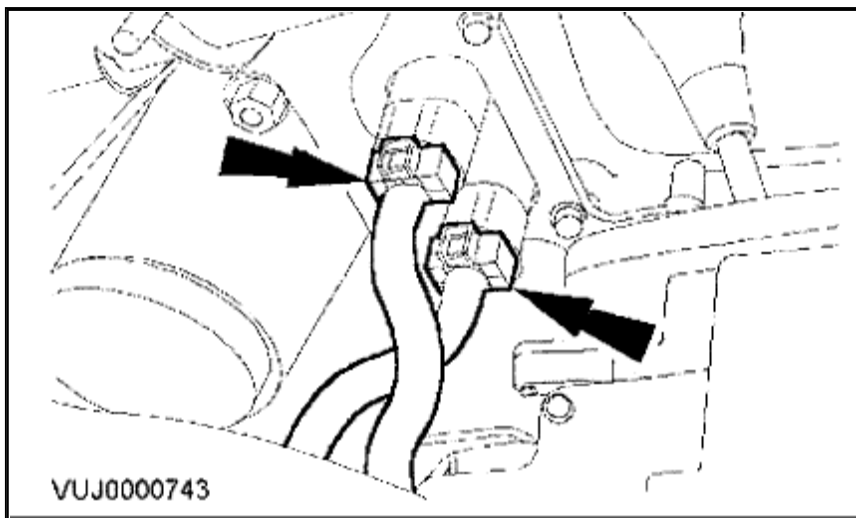
Sized for Print

12. Connect the selector cable. Do not tighten the selector lever lock nut.
13. Move the selector lever to position "D". Hold the selector lever applying light pressure and finger tighten the rear lock nut, then finger tighten the front lock

- nut.
- Move the selector lever to different gear lever positions. When "D" is selected make sure it sits as close as possible to the "D" and "4" position in each corner.

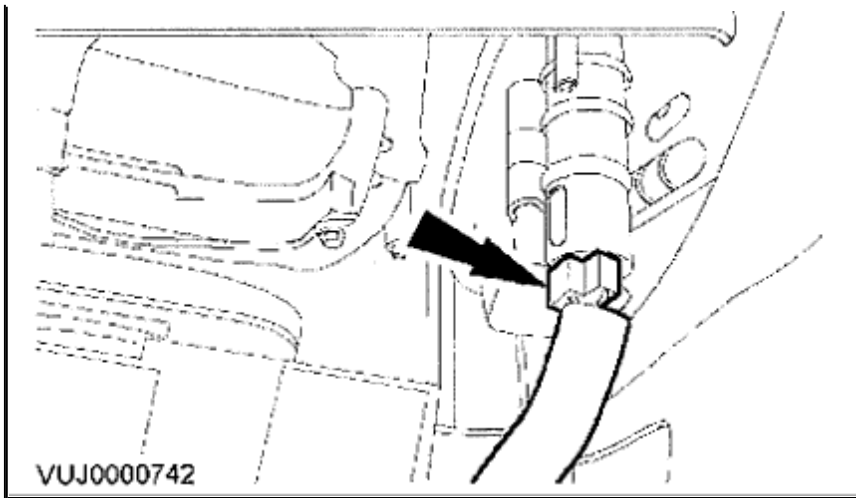
[Zoom](#)[Sized for Print](#)

- Tighten the selector lever lock nut.

[Zoom](#)[Sized for Print](#)

- Install the center console upper section. Connect the transmission mode and traction control electrical connectors.

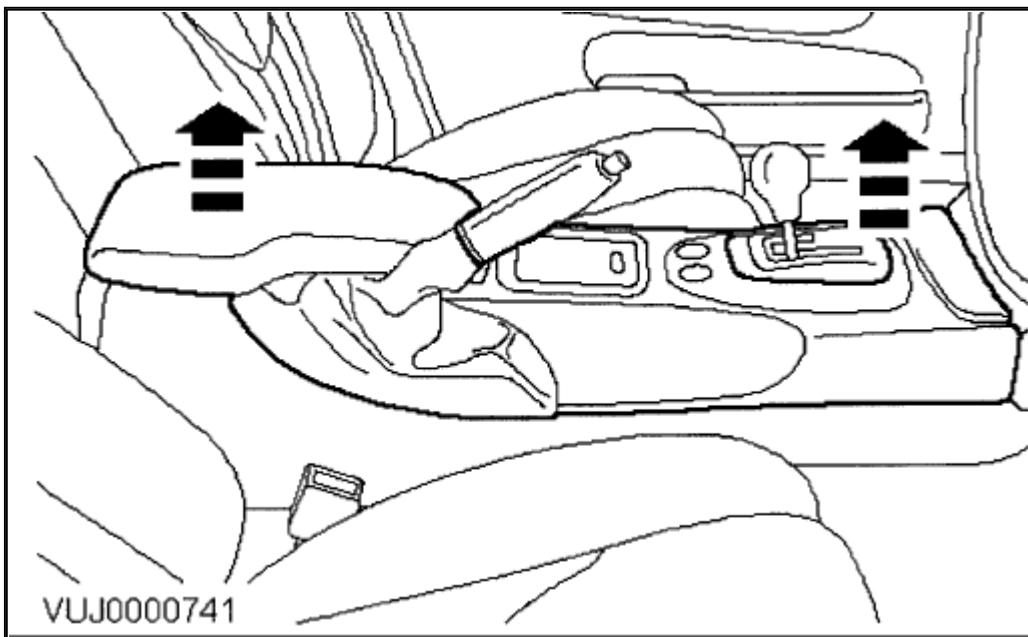




Zoom

Sized for Print

17. Connect the cigar lighter electrical connector.

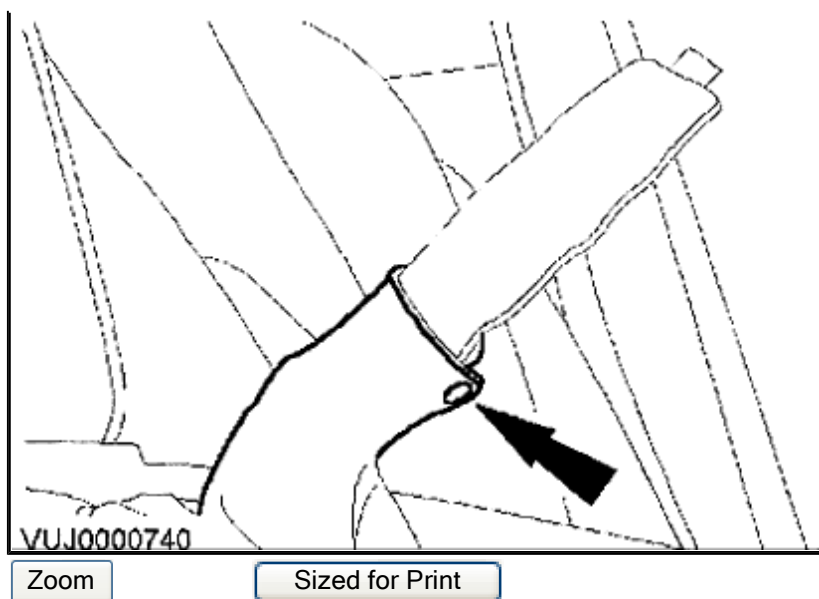


Zoom

Sized for Print

18. Install the center console upper section.





19. Clip together the parking brake boot.