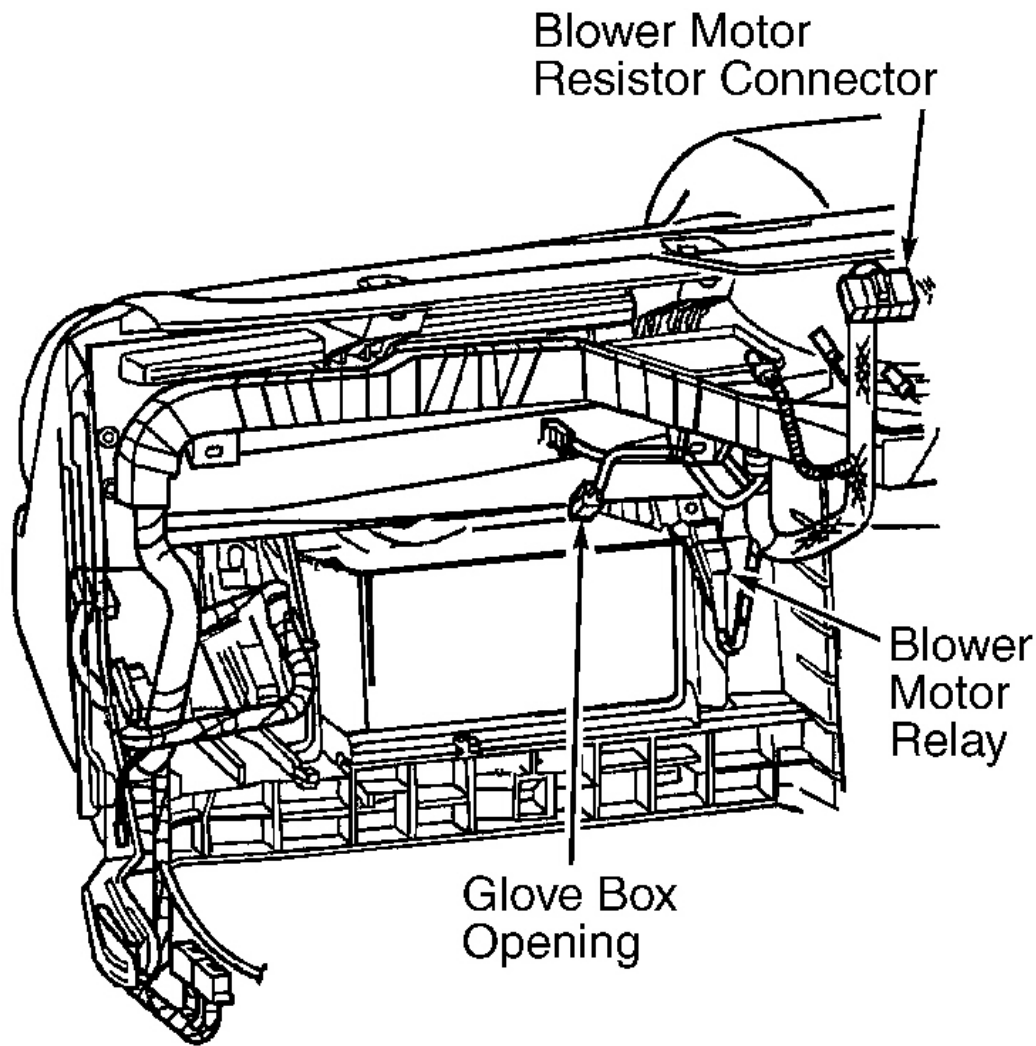


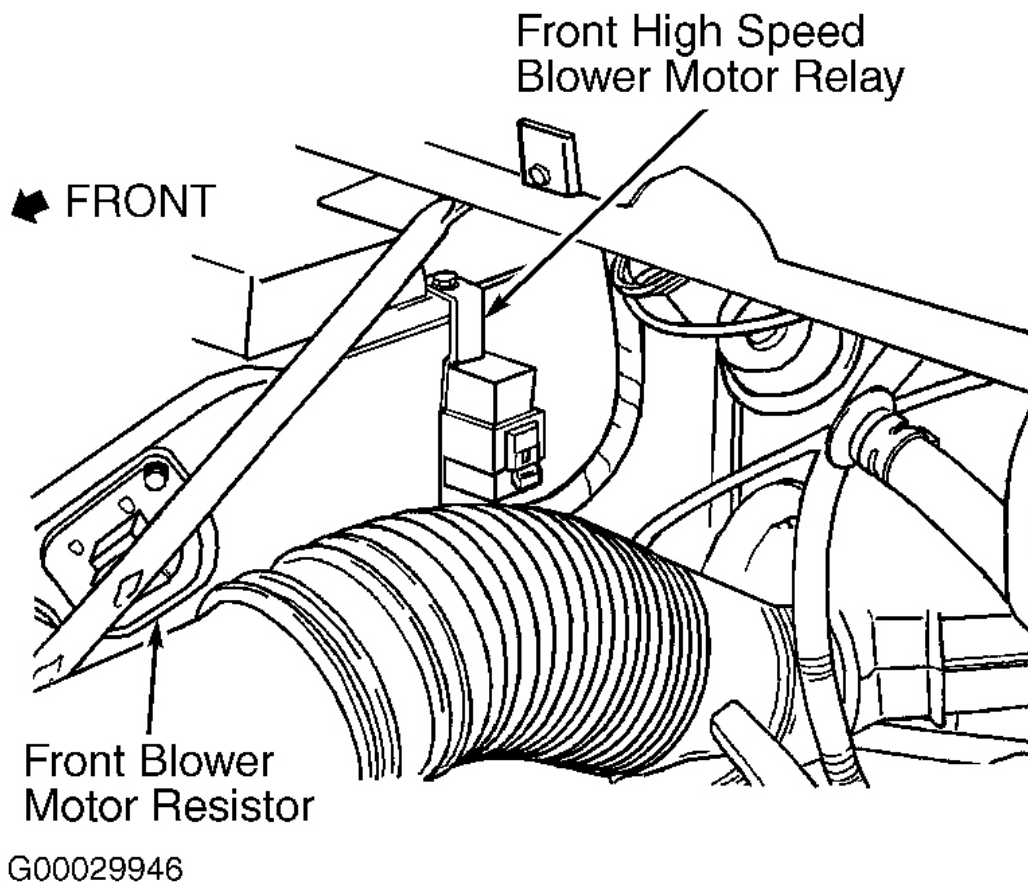
**BLOWER MOTOR RELAYS**

1. Disconnect negative battery cable. On 2000 Dakota, blower motor relay is located behind instrument panel, inboard of glove box. See **Fig. 1** . On 2000 Durango, Ram Pickup, Ram Van/Wagon, front blower motor relay is located in Power Distribution Center (PDC).
2. On Ram Van/Wagon, front high speed blower motor relay is located in engine compartment, on top cover of on inboard side of heater housing assembly. See **Fig. 2** . Rear blower motor relay and rear high speed blower motor relay are located in a connector bracket that is secured to back of rear A/C-heater unit cover. See **Fig. 3** .
3. On all models, remove suspect blower motor relay or high speed blower motor relay. Using DVOM, check for continuity between terminals No. 87A and 30 of relay. See **Fig. 4** . If continuity does not exist, replace relay. If continuity exists, go to next step.
4. Using DVOM, check for continuity between terminals No. 30 and 87 of relay. See **Fig. 4** . If continuity exists, replace relay. If continuity does not exist, go to next step.
5. Measure resistance between terminals No. 85 and 86 of relay. See **Fig. 4** . Reading should be 70-80 ohms. If reading is not as specified, replace relay. If reading is as specified, go to next step.
6. Using jumper wires, connect battery voltage to terminal No. 86 and ground terminal No. 85. See **Fig. 4** . Check that continuity exists between terminals No. 30 and 87. Check that continuity does not exist between terminals No. 87A and 30. If continuity is not as specified, replace blower motor relay. If continuity is as specified, relay is okay.

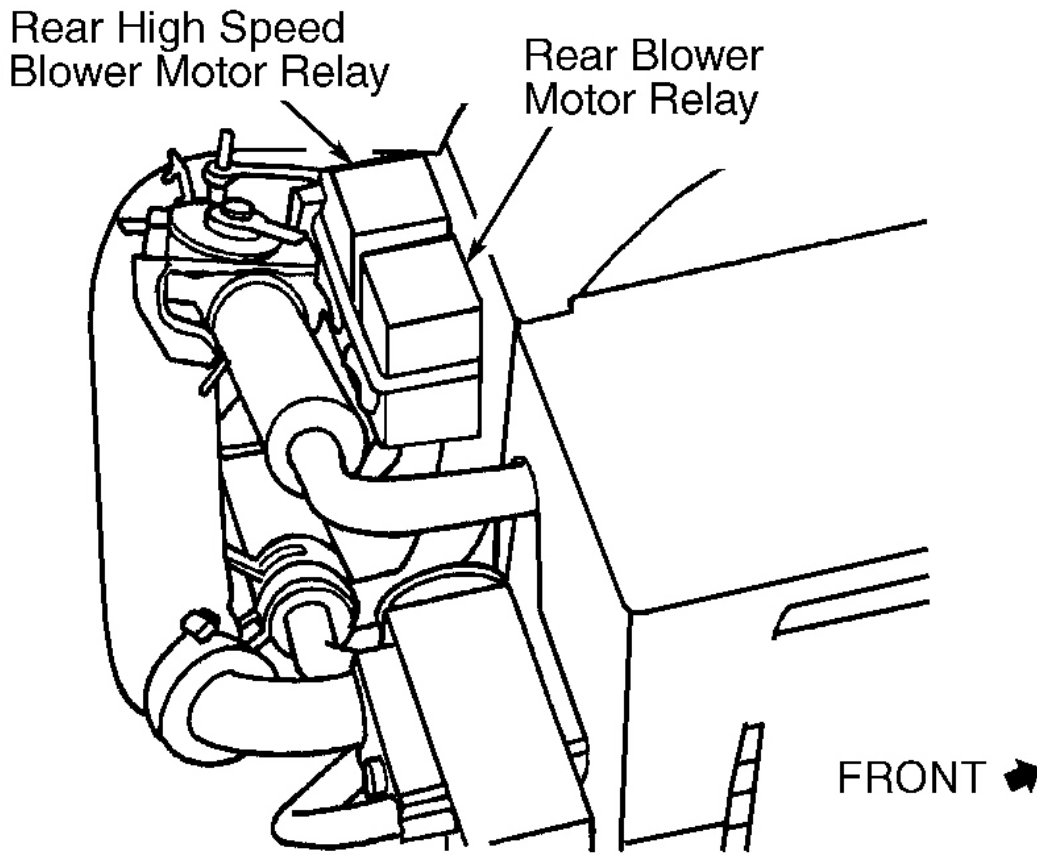


G00029945

**Fig. 1: Locating Blower Motor Relay (2000 Dakota)**  
Courtesy of CHRYSLER CORP.

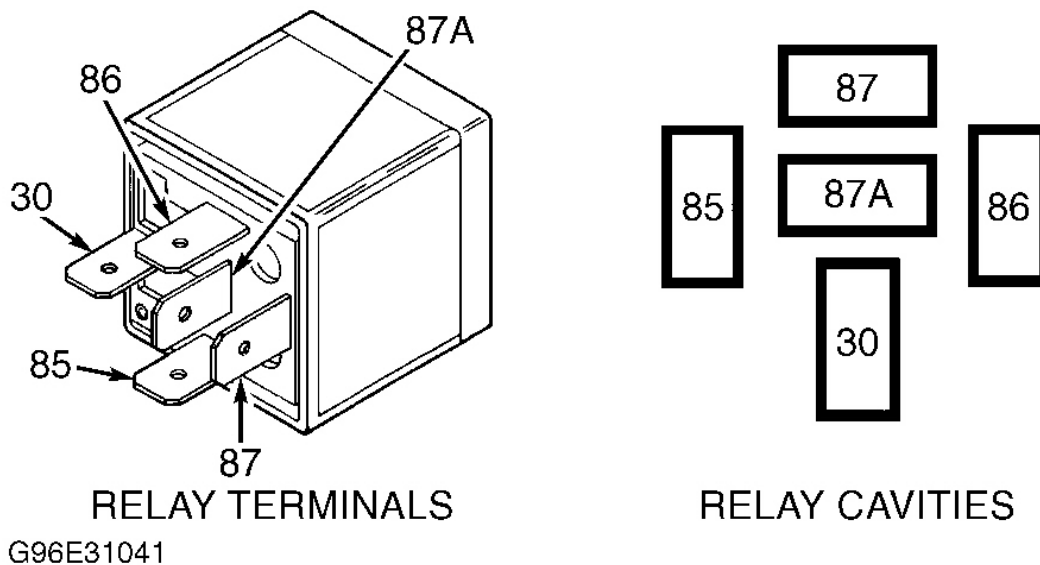


**Fig. 2: Locating Front High Speed Blower Motor Relay (Ram Van/Wagon)**  
Courtesy of CHRYSLER CORP.



G00029947

**Fig. 3: Identifying Rear Blower Motor Relays (Ram Van/Wagon)**  
Courtesy of CHRYSLER CORP.



**Fig. 4: Identifying Blower Motor Relay Terminals**  
Courtesy of CHRYSLER CORP.

### BLOWER MOTOR RESISTOR

1. Disconnect negative battery cable. Disconnect blower motor resistor harness connector. Using DVOM, check for continuity between all blower motor resistor terminals. If continuity exists between all terminals, go to next step. If continuity does not exist between all terminals, replace faulty blower motor resistor.
2. Check for open or short in circuits between blower motor resistor and heater control panel. Also check for open or short in wire between blower motor resistor and blower motor.

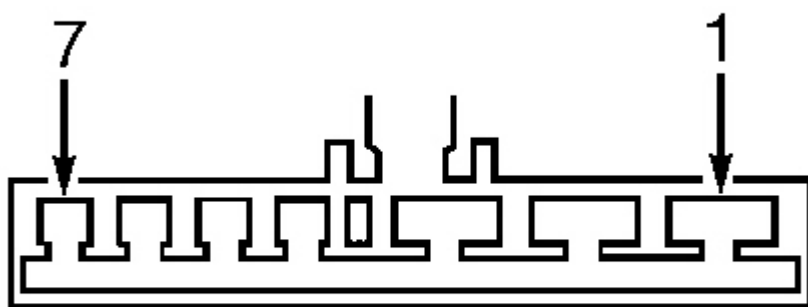
### BLOWER MOTOR SWITCH

#### 2000 Dakota, 2000 Durango & 2000-01 Ram Pickup

1. Remove Power Distribution Center (PDC) cover. Using DVOM, check for battery voltage at PDC fuse No. 5 (40-amp) on Dakota and Durango; PDC fuse No. 12 (40-amp) on Ram Pickup. If battery voltage exists, go to next step. If battery voltage does not exist, check for open in Red wire between battery and underhood PDC. If Red wire is okay, replace underhood PDC.
2. Disconnect negative battery cable. Remove heater control panel. See **HEATER CONTROL PANEL** under REMOVAL & INSTALLATION. Disconnect heater control panel cable, electrical and vacuum connectors as necessary. Using DVOM, check for continuity between heater control panel harness connector terminal No. 7 (Black wire on Dakota and Durango; Black/Orange on Ram Pickup) and ground. See **Fig. 5**. If continuity exists, go to step 4.
3. If continuity does not exist, repair open in Black wire or Black/Orange wire between heater control panel

harness connector terminal No. 7 and ground connector located at lower right corner of instrument panel (Dakota and Durango) or behind center of instrument panel (Ram Pickup).

4. Place heater mode control knob to any position except OFF. Using DVOM, check for continuity between heater control panel terminal No. 7 and terminals No. 3, 4, 5 and 6 while rotating blower motor switch. See **Fig. 5** .
5. If continuity does not exist at any terminal, replace faulty heater control panel. If continuity exists as specified, check for open in circuits between heater control panel and blower motor resistor. Also check for an open in circuit between heater control panel and blower motor. See **WIRING DIAGRAMS** .



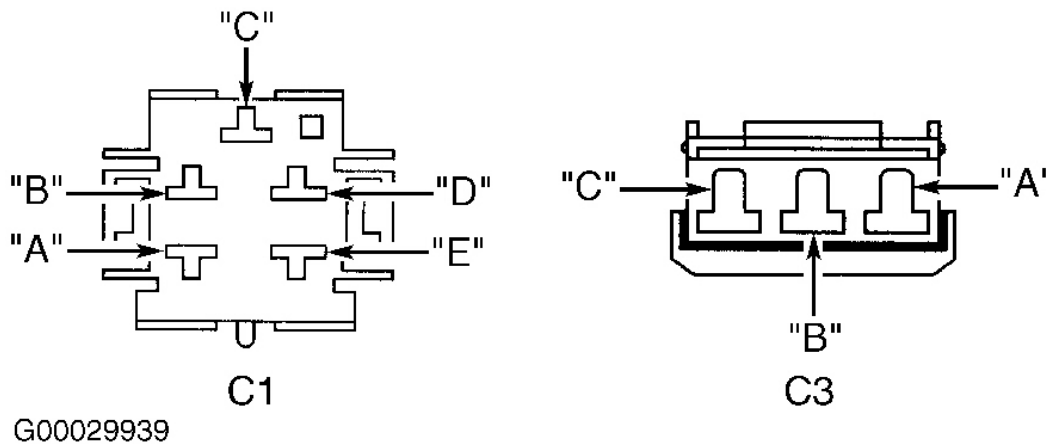
G98B03056

**Fig. 5: Identifying Heater Control Panel Blower Switch Connector Terminals (2000 Dakota & Durango Are Shown; Ram Pickup Is Similar)  
Courtesy of CHRYSLER CORP.**

#### Ram Van/Wagon

1. Disconnect negative battery cable. Remove heater control panel. See **HEATER CONTROL PANEL** under REMOVAL & INSTALLATION. Disconnect heater control panel harness connectors. Using DVOM, check for continuity between heater control panel C3 harness connector terminal "C" (Black wire) and ground. See **Fig. 6** . If continuity exists, go to next step. If continuity does not exist, repair open in Black wire between heater control panel and ground connector located at lower right of steering column.
2. Place heater mode control selector to any position, except OFF. Using DVOM, check for continuity between appropriate terminals of heater control panel, for C3 connector terminals "B" (Violet wire) and "C" (Black wire). If continuity exists through heater control panel, go to next step. If continuity does not exist, replace faulty heater control panel assembly.
3. Using DVOM, check for continuity between heater control panel C3 connector terminal "B" (Violet wire) and C1 connector terminal "E" (Violet wire). See **Fig. 6** . If continuity exists, go to next step. If continuity does not exist, repair open in Violet wire between heater control panel C3 and C1 connectors.

4. Using DVOM, check for continuity between heater control panel terminal "E" and terminals "B", "C" and "D" while rotating blower motor switch. See **Fig. 6** .
5. If continuity does not exist at any terminal, replace faulty heater control panel. If continuity exists as specified, check for open in circuits between heater control panel and blower motor resistor. Also check for an open in circuit between heater control panel connector and blower motor relay. See **WIRING DIAGRAMS** .



**Fig. 6: Identifying Heater Control Connectors C1 & C3 (Ram Van & Ram Wagon)**  
 Courtesy of CHRYSLER CORP.

## BLOWER MOTOR

### Removal (Dakota & Durango)

1. Disconnect negative battery cable. Remove and disassemble heater assembly. See **HEATER ASSEMBLY** . Disconnect blower motor lead at bottom of housing. Remove 6 bolts and blower motor housing cover.
2. Remove blower motor and fan assembly. Place reference marks on blower motor and fan for installation reference. Remove blower fan retainer clip. Pull blower motor fan off blower motor shaft.

### Installation

Align reference marks made during removal. Press blower fan hub onto blower motor shaft. Ensure retainer clip ears are indexed over flats of blower motor shaft and fan hub. To complete installation, reverse removal procedure.

### Removal (Ram Pickup)

1. Blower motor is located under glove box and can be removed from passenger compartment. See **Fig. 7** . Disconnect negative battery cable. Disconnect blower motor cooling tube. Remove blower motor

## 2001 Dodge Durango

2000-01 HEATER SYSTEMS' 'RWD Trucks & Vans

electrical connector from retainer. Disconnect electrical connector.

2. Remove blower motor and fan assembly mounting bolts. Remove blower motor and fan assembly. Place reference marks on blower motor and fan for installation reference. Remove blower motor fan retainer clip. Pull blower motor fan off blower motor shaft.

### Installation

Align reference marks made during removal. Press blower fan hub onto blower motor shaft. Ensure retainer clip ears are indexed over flats of blower motor shaft and fan hub. Ensure blower motor seal is installed on housing. To complete installation, reverse removal procedure.

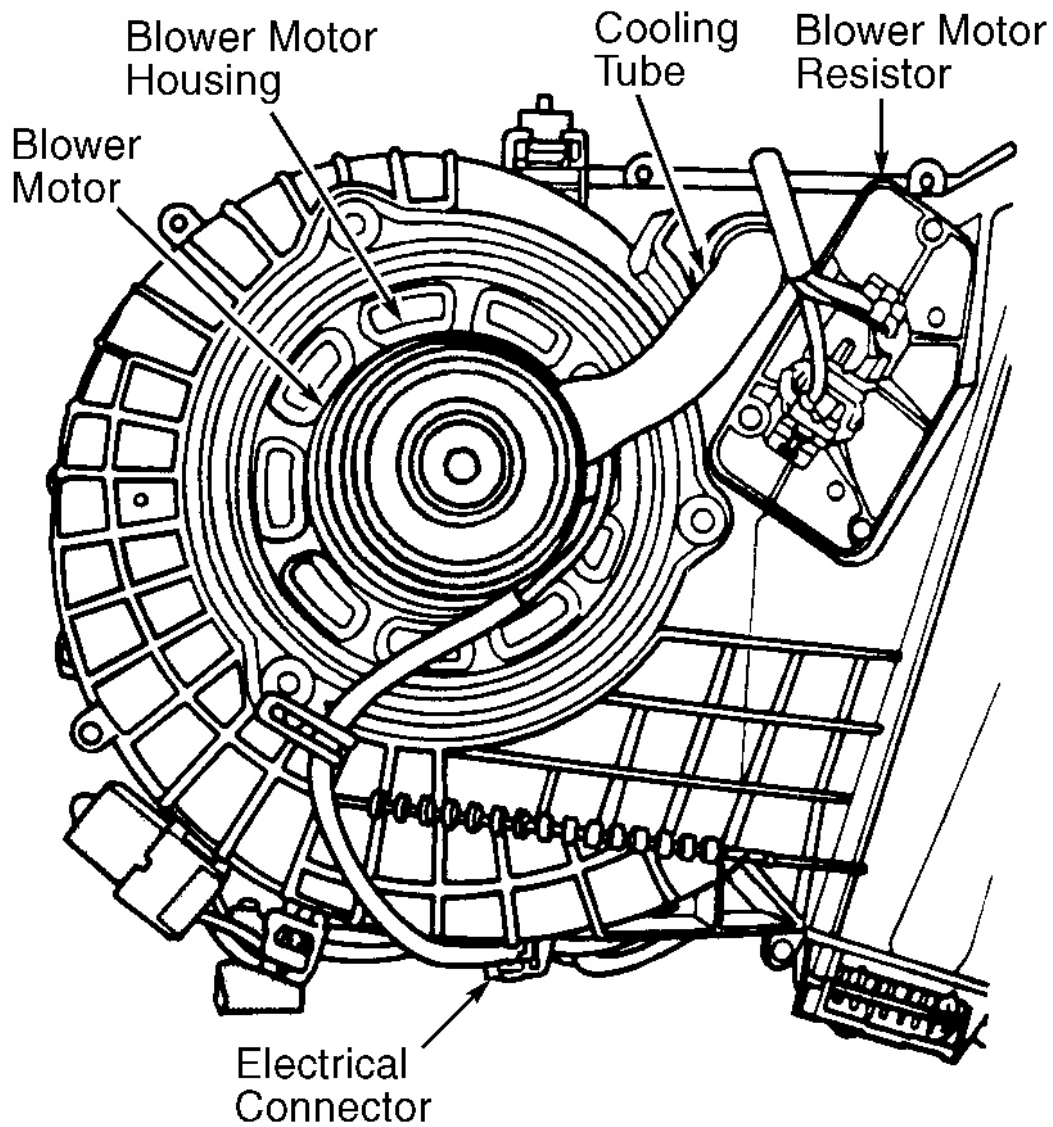
### Removal (Ram Van/Wagon)

1. Disconnect negative battery cable. Remove top half of radiator shroud. At right side of engine compartment, disconnect blower motor wiring connector and motor cooling tube. Remove nuts and washers from blower motor backing plate to heater housing studs. See **Fig. 8**.
2. Remove blower motor assembly. Place reference marks on blower motor and fan for installation reference. Remove blower motor fan retainer clip. Pull blower motor fan off blower motor shaft. Inspect backing plate seal for breaks and adhesion.

### Installation

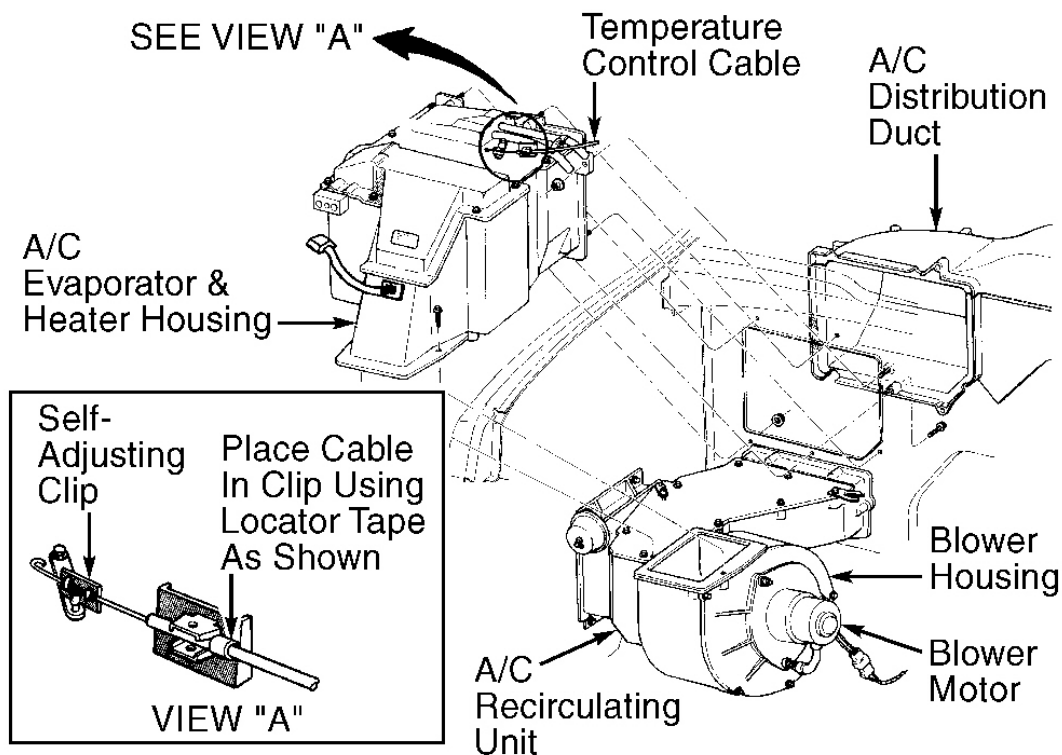
Align reference marks made during removal. Press blower fan hub onto blower motor shaft. Ensure retainer clip ears are indexed over flats of blower motor shaft and fan hub. Apply a small bead of rubber sealant to blower motor side of rubber seal. To complete installation, reverse removal procedure.





G94C31213

**Fig. 7: Identifying Heater Assembly Components (Ram Pickup)**  
Courtesy of CHRYSLER CORP.



G95160051

**Fig. 8: Identifying Heater Assembly Components (Ram Van/Wagon)**  
 Courtesy of CHRYSLER CORP.

## BLOWER MOTOR RESISTOR

### Removal & Installation (Dakota & Durango)

**NOTE:** Blower motor resistor is located on dash plenum inside passenger compartment. Resistor is accessible through access hole in cowl plenum.

1. Disconnect negative battery cable. Remove wiper arms from wiper pivots. Remove weatherstrip from front edge of cowl plenum. Remove 4 plastic nuts that secure cowl plenum cover/grille to studs on cowl top panel near base of windshield. Remove plastic rivet from front corner of each side of cowl plenum cover/grille. Remove plastic push-in retainer from rear corner on each side of cowl plenum cover/grille that retains cover/grille to windshield reveal molding.
2. Unsnap slotted center hole on each side of cowl plenum cover/grille from adhesive-backed snap fastener (if equipped). Lift cowl plenum cover/grille far enough to disconnect windshield washer plumbing. Disconnect vacuum supply hose from end vacuum reservoir, attached to underside of cowl plenum cover/grille. Remove cowl plenum cover/grille to access resistor.
3. Reach through cowl plenum access hole to remove 2 hex screws that secure blower motor resistor to the cowl plenum panel. Pull blower motor resistor and wiring harness out of access hole far enough to unplug

## 2001 Dodge Durango

2000-01 HEATER SYSTEMS' 'RWD Trucks & Vans

resistor. Remove blower motor resistor connector. Remove resistor retaining bolts. Remove blower motor resistor. To install, reverse removal procedure.

### **Removal & Installation (Ram Pickup)**

Blower motor resistor is located under glove box, attached to blower motor housing. See **Fig. 7** . Disconnect negative battery cable. Remove blower motor resistor connector. Remove resistor retaining bolts. Remove blower motor resistor. To install, reverse removal procedure.

### **Removal & Installation (Ram Van/Wagon)**

Blower motor resistor is located in engine compartment, on inboard side of A/C-heater housing. Disconnect negative battery cable. Remove glove box bin. Disconnect blower motor resistor connector. Remove blower motor resistor retaining bolts. Remove blower motor resistor. To install, reverse removal procedure.