

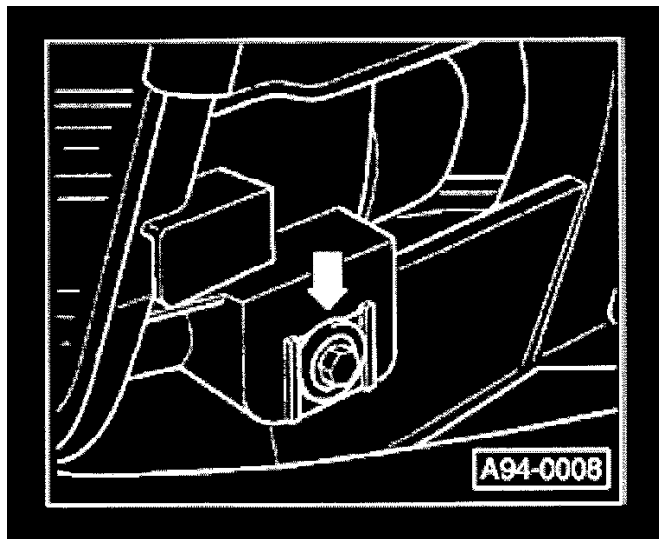
Headlamp: Service and Repair

Headlights, Removing And Installing

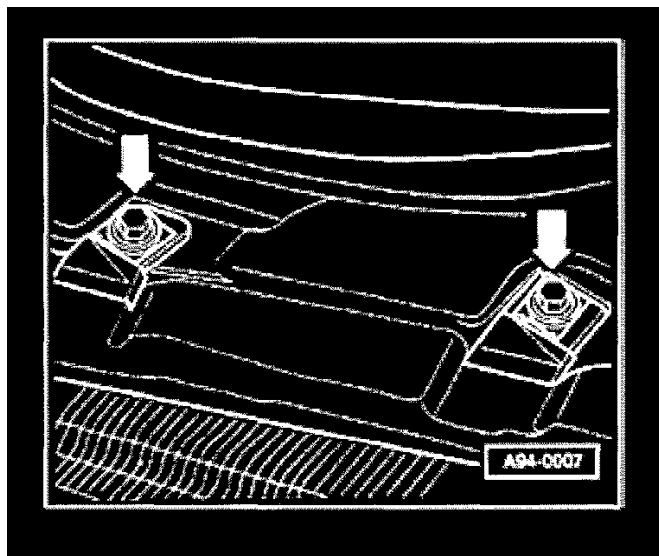
NOTE: Protect bumper using cloth backed tape in headlight area to prevent damage to paint.

Removing

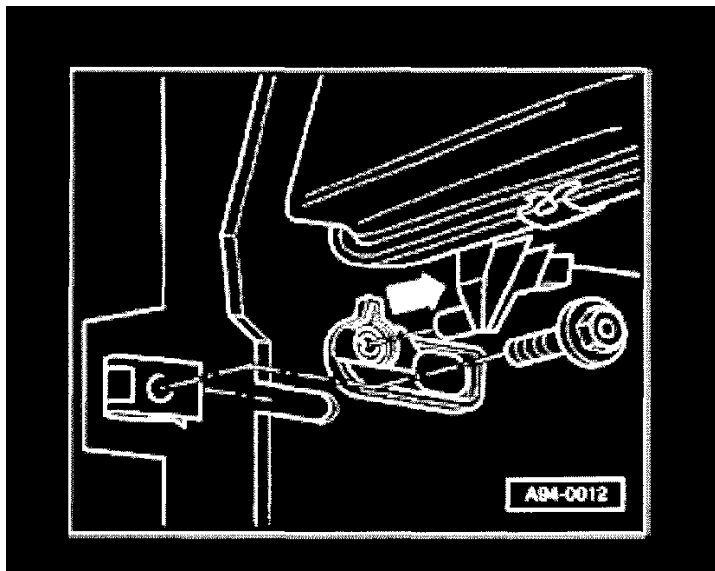
- Remove turn signal. Refer to **Turn Signals - Service and Repair - Procedures** See: Turn Signals/Service and Repair



- Remove bolt (arrow) **6 Nm (53 in lb)**



- Remove two bolts (arrows) **6 Nm (53 in lb)**
- Disconnect headlight harness connector.
- Disconnect headlight beam adjusting motor harness connector.



- Pull headlight out from peg mount at side (approx. **15 mm**), lift slightly and then lift out carefully toward front, rotating if necessary.

Installing

- Install in reverse order of removal.
- Always align headlights to adjacent body panels (gap clearances) before securing.
- Adjust headlights after assembly. See: Adjustments