

Steering Rack Noise

Service Category Steering

Section Steering Gear/Linkage

Market USA

Toyota Supports
ASE Certification 

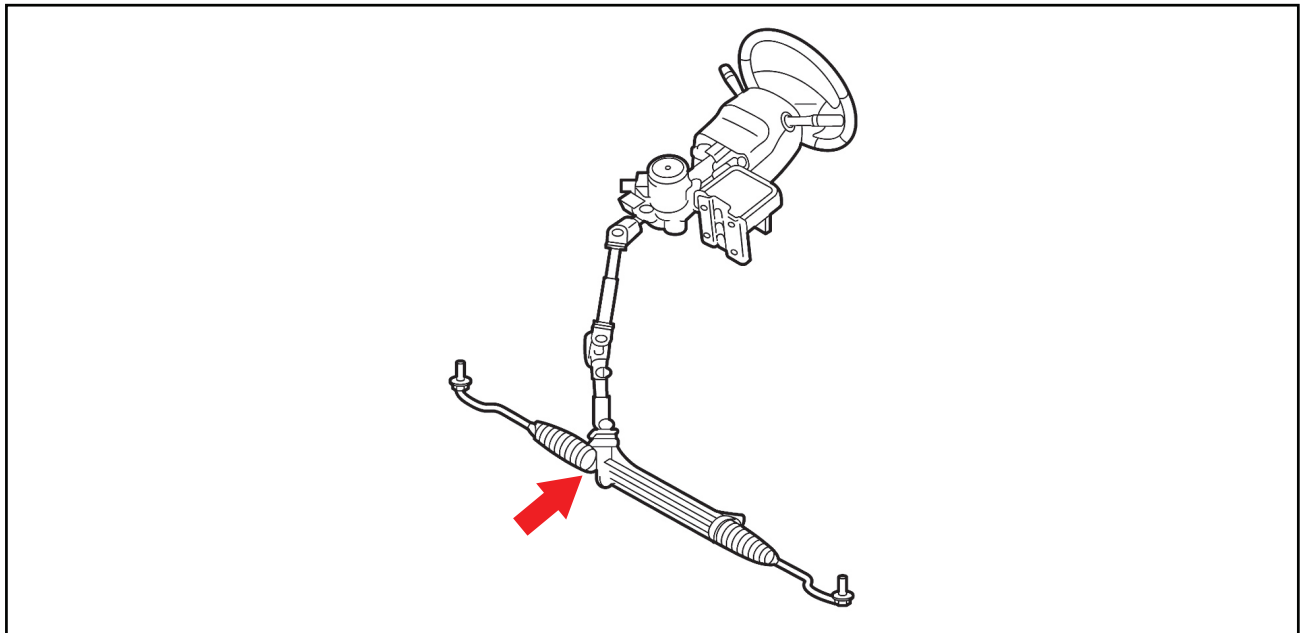
Applicability

YEAR(S)	MODEL(S)	ADDITIONAL INFORMATION
2006 – 2008	RAV4	

Introduction

Some customers may hear a rattle noise from the front of the vehicle when driving over small bumps or rough road surfaces. A new steering gear assembly has been developed to improve this condition. Use the following repair procedure to address customer concerns.

Figure 1. Steering Gear Assembly



Steering Rack Noise

Production Change Information

This TSB applies to vehicles produced **BEFORE** the Production Change Effective VINs shown below.

MODEL	PLANT	PRODUCTION CHANGE EFFECTIVE VIN
RAV4	Tahara	JTMBD3#V#85190538
		JTMZD3#V#85102423
		JTMBK3#V#85061996
		JTMZK3#V#85021294
	Shokki	JTMBD3#V#86082871
		JTMZD3#V#86075492
		JTMBK3#V#86044773
		JTMZK3#V#86014552

Warranty Information

OP CODE	DESCRIPTION	TIME	OFF	T1	T2
451011	Steering Link Assembly	7.8	45510-42030 45510-42040	91	40

APPLICABLE WARRANTY

- This repair is covered under the Toyota Comprehensive Warranty. This warranty is in effect for 36 months or 36,000 miles, whichever occurs first, from the vehicle's in-service date.
- Warranty application is limited to correction of a problem based upon a customer's specific complaint.

Parts Information

MODEL DETAIL	PREVIOUS PART NUMBER	CURRENT PART NUMBER	PART NAME	QTY
Base	45510-42030	45510-42080	Gear Assembly, Steering	1
Limited				1
Sport	45510-42040	45510-42090	Clamp, Hose	1
–	90460-64003	Same		1

Steering Rack Noise

Repair Procedure

1. Test drive the vehicle and confirm the condition.
2. Once the condition has been confirmed, remove the steering rack.

Refer to the Technical Information System (TIS), applicable model year RAV4 Repair Manual:

- [2006](#) / [2007](#) / [2008](#) RAV4:
Steering – Power Assist Systems – “Power Steering: Steering Gear: Removal”

3. Install the NEW steering rack.

Refer to TIS, applicable model year RAV4 Repair Manual:

- [2006](#) / [2007](#) / [2008](#) RAV4:
Steering – Power Assist Systems – “Power Steering: Steering Gear: Installation”

4. Road test the vehicle to confirm that the “rattle” noise is NO longer present and that the vehicle is aligned. Also verify that the steering wheel is centered and no other wheel alignment or vehicle handling concerns are observed.