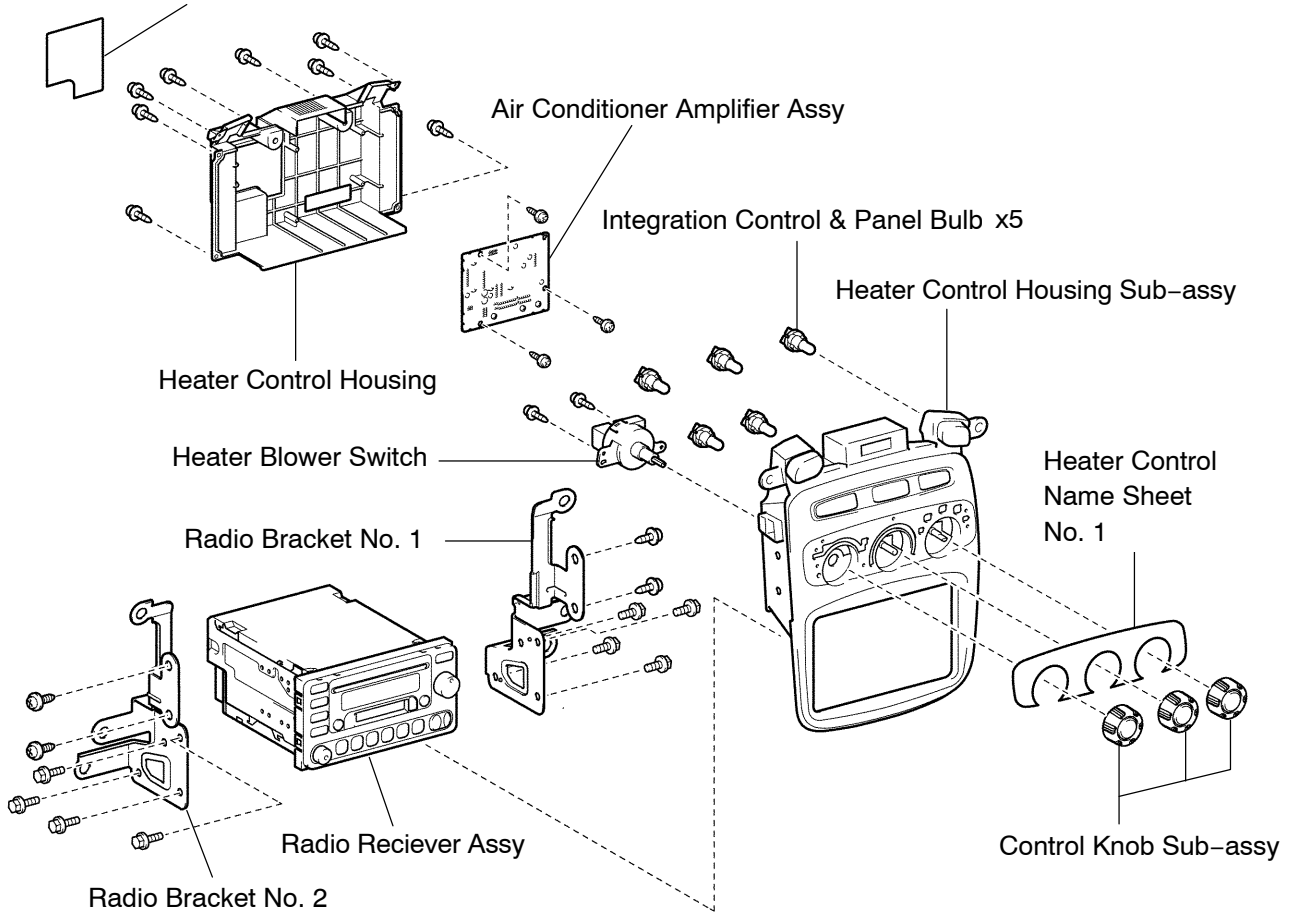


# HEATER & AIR CONDITIONER COMPONENTS

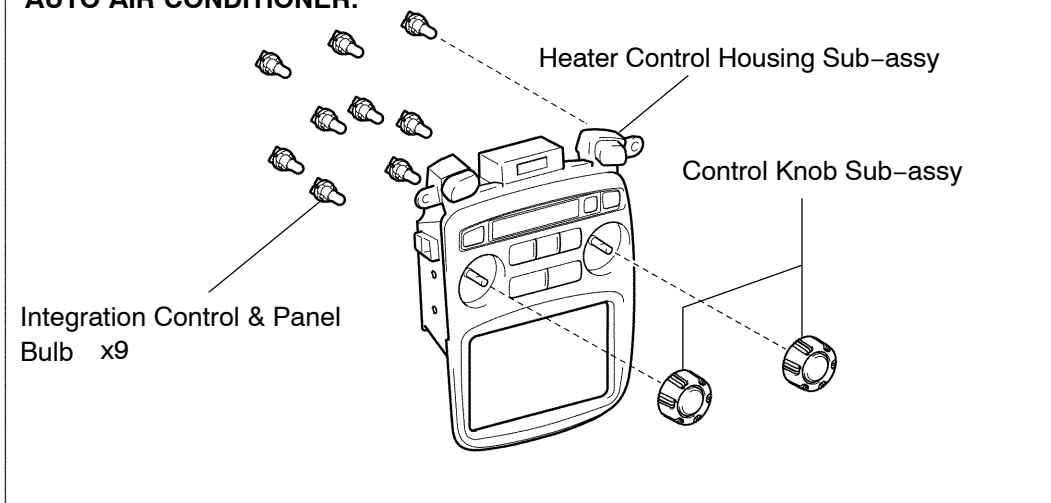
5502I-01

## MANUAL AIR CONDITIONER:

Heater Control Name Sheet No. 2

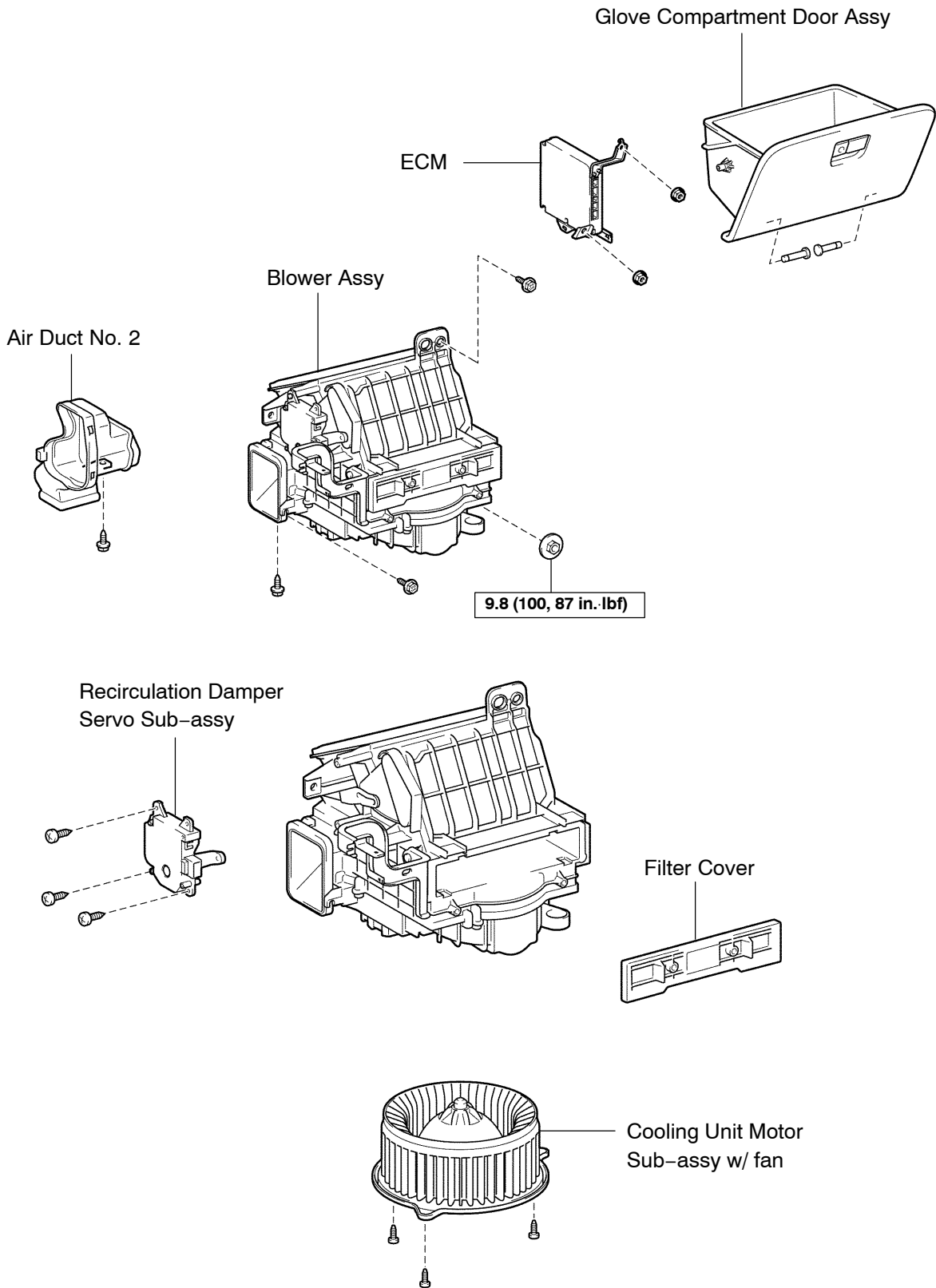


## AUTO AIR CONDITIONER:



N·m (kgf·cm, ft·lbf) : Specified torque

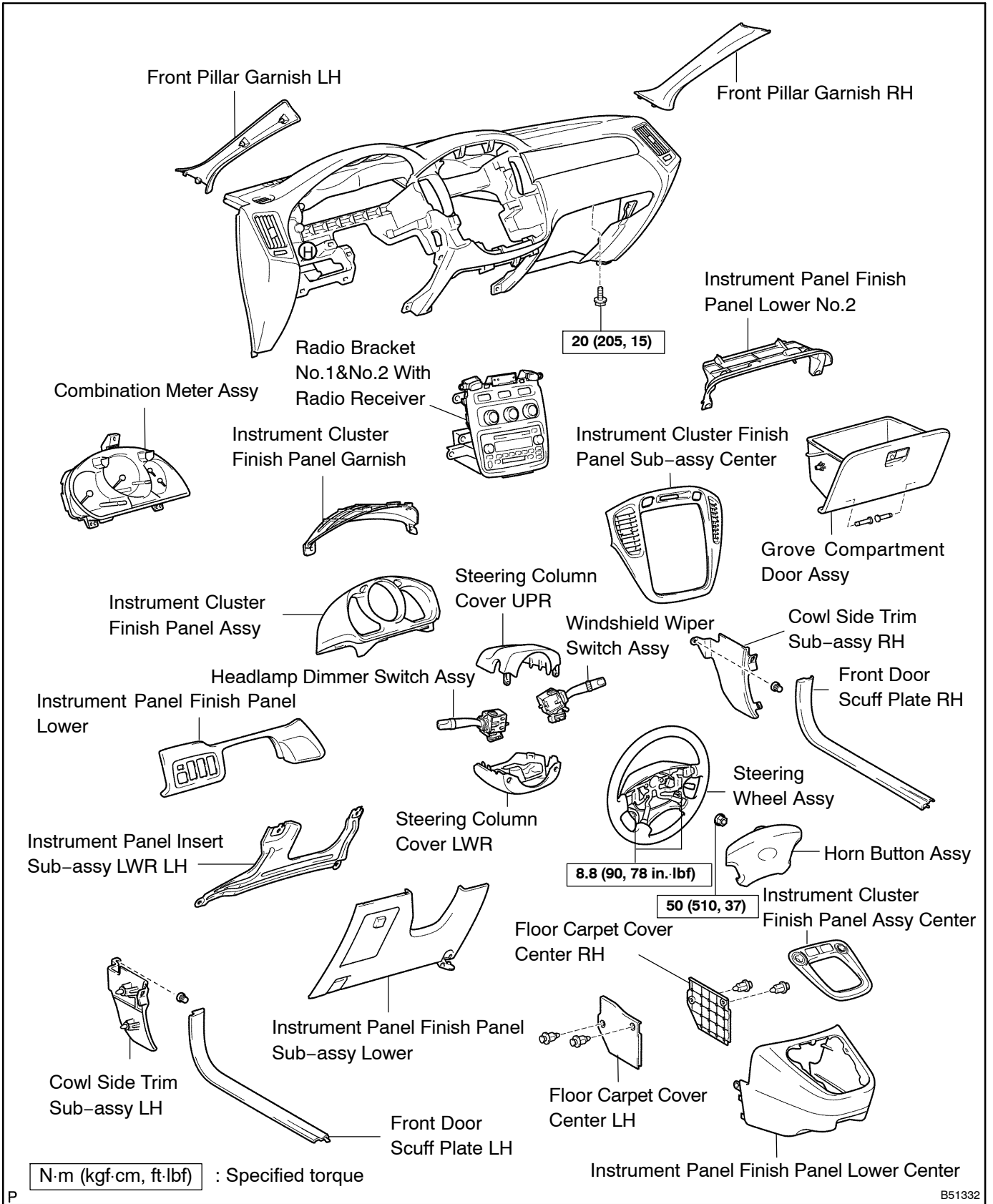
130862



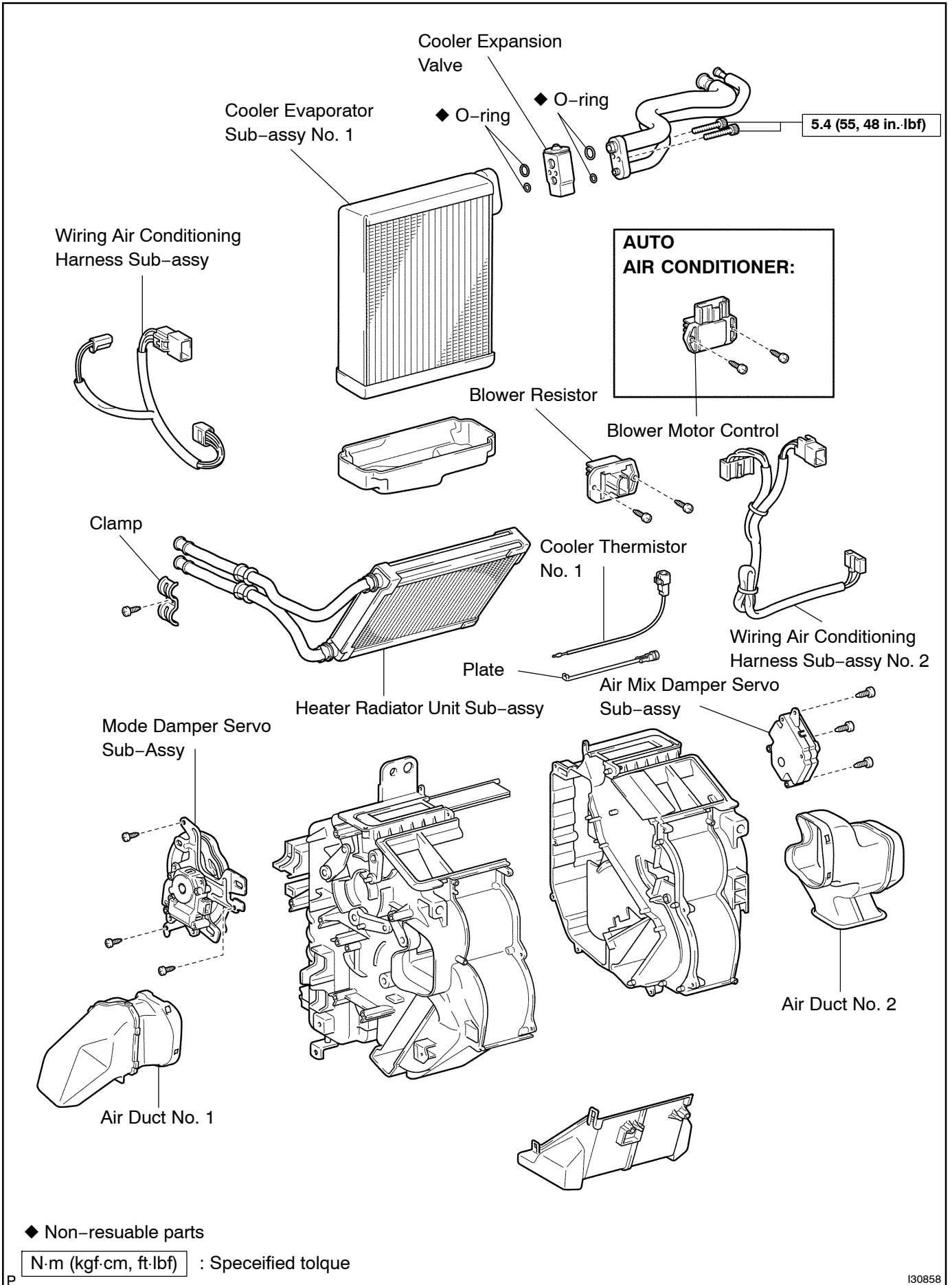
N·m (kgf·cm, ft·lbf) : Specified torque

P

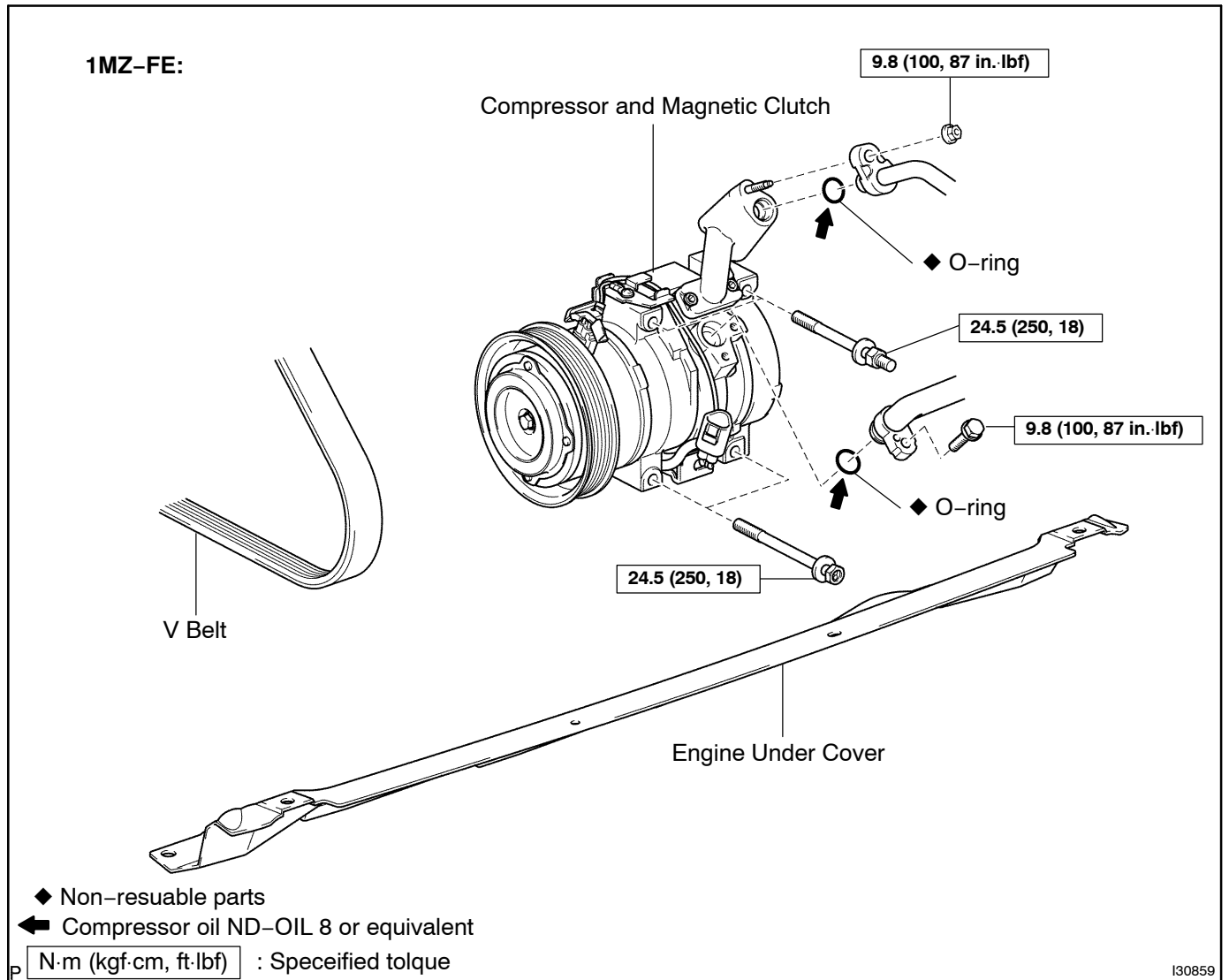
I30856



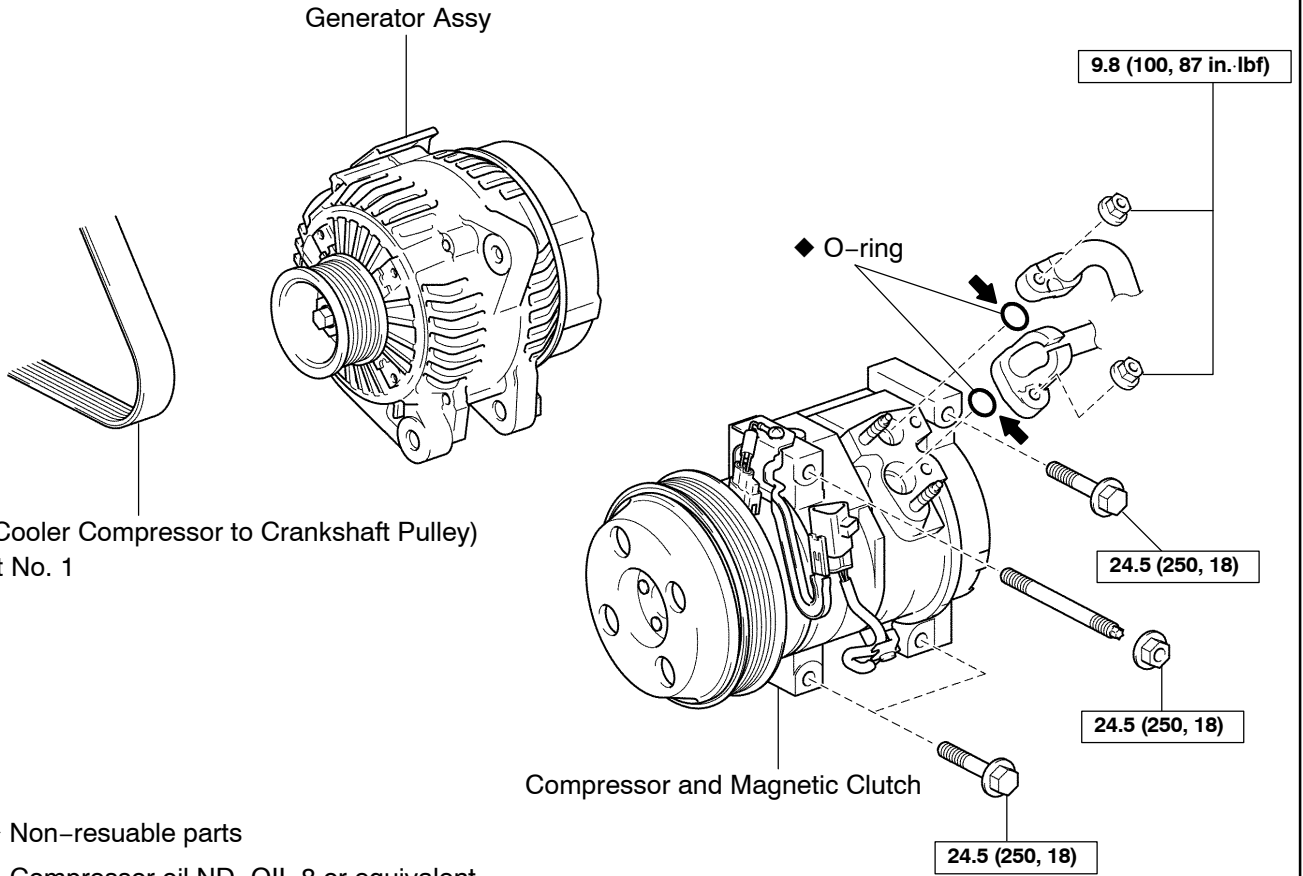




I30858



2AZ-FE:



◆ Non-resuable parts

← Compressor oil ND-OIL 8 or equivalent

N·m (kgf·cm, ft·lbf) : Speceified tolque

130860

