



[Home](#) | [Account](#) | [Contact ALLDATA](#) | [Log Out](#) | [Help](#)

METRO TOYOTA

[Select Vehicle](#) | [New TSBs](#) | [Technician's Reference](#)

Component Search:

[Conversion Calculator](#)

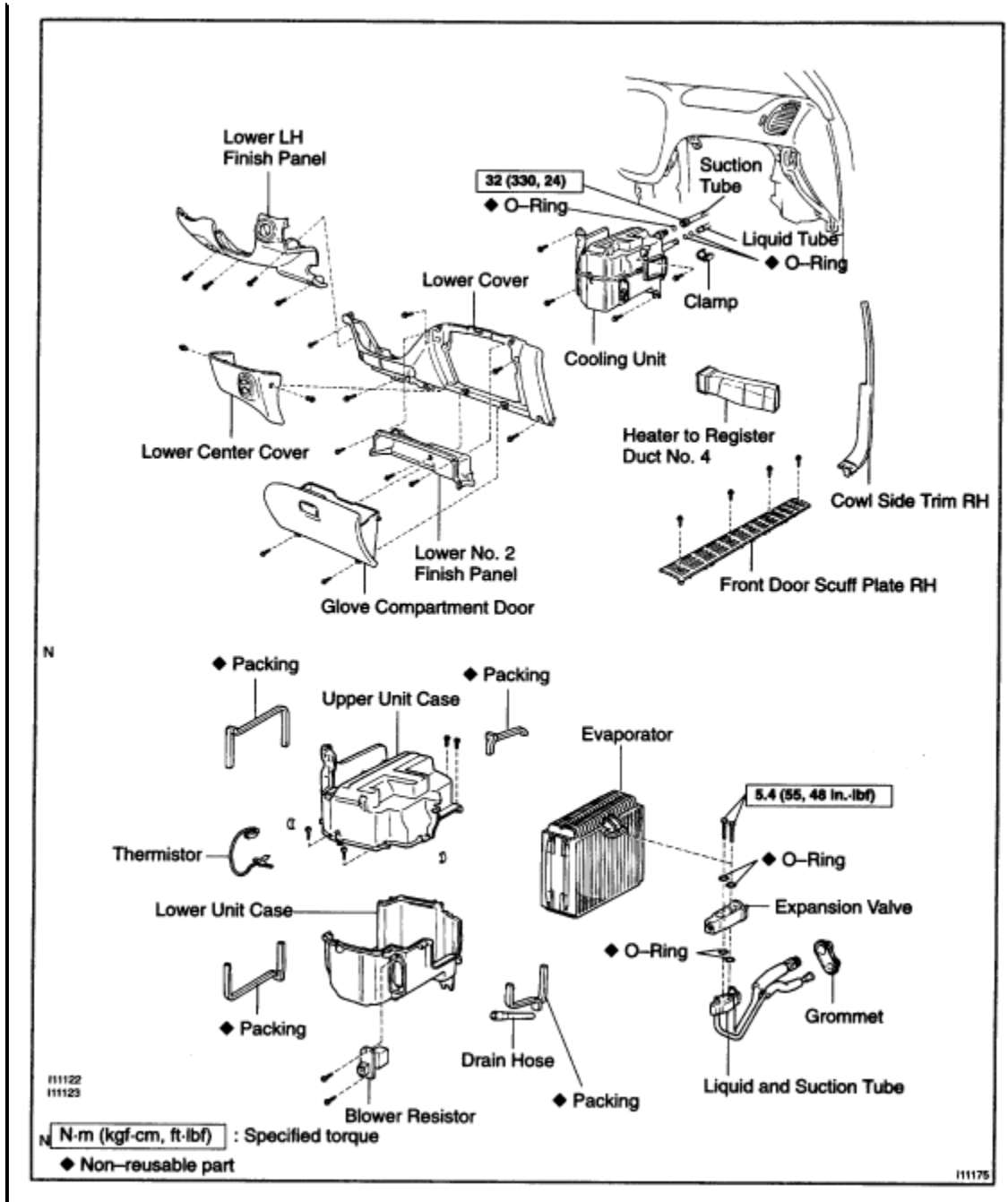
**2002 Toyota Truck Tundra Access Cab LTD 4WD V8-4.7L (2UZ-FE)**

[Vehicle Level](#) → [Heating and Air Conditioning](#) → [Evaporator Case](#) → [Service and Repair](#) → [Removal And Installation](#) ←

### Removal And Installation

[Notes](#)

Cooling Unit



Zoom

Sized for Print

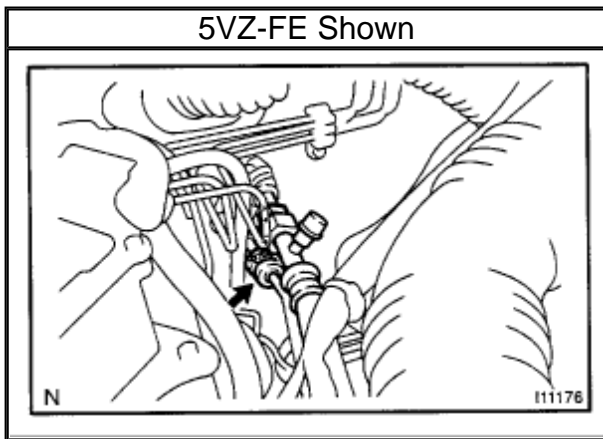
## REMOVAL

1. DISCHARGE [REFRIGERANT](#) FROM REFRIGERATION SYSTEM

HINT : At the time of installation, please refer to the following item.  
 Evacuate air from refrigeration system.  
 Charge system with [refrigerant](#) and inspect for leakage of refrigerant.

Specified amount: **600 ±50 g (21.16 ±1.76 oz.)**

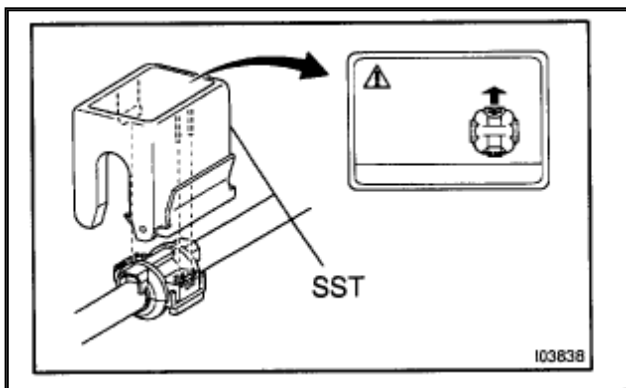
2. DISCONNECT LIQUID TUBE



Zoom

Sized for Print

- a. Using SST, remove the piping clamp. SST 09870-00025 (Liquid tube)



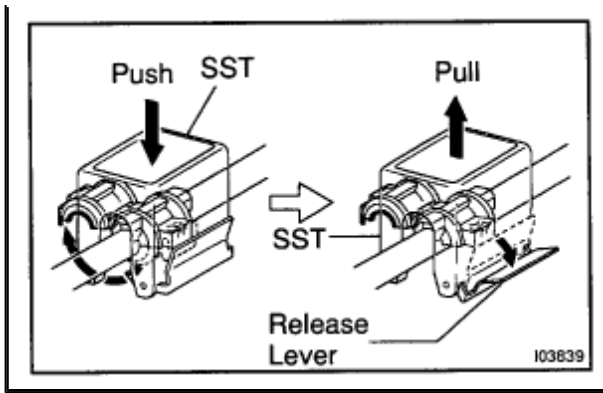
Zoom

Sized for Print

1. Insert SST to piping clamp.

HINT : Confirm the direction of the piping clamp claw and SST using the illustration showing on the caution label.

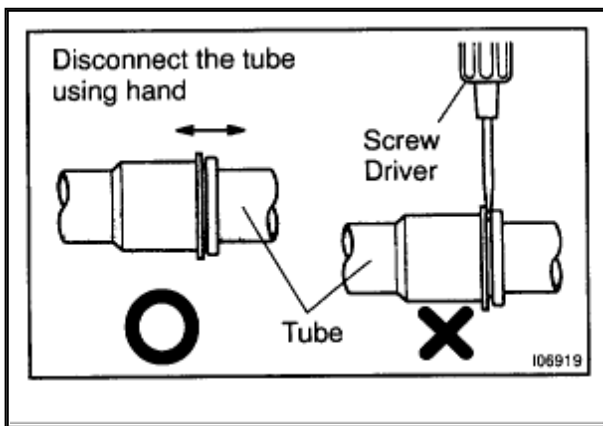




Zoom

Sized for Print

2. Push down SST and release the clamp lock. **NOTE:** Be careful not to deform the tubes, when pushing SST.
3. Pull SST slightly and push the release lever, then remove the piping clamp with SST.
4. Remove the piping clamp from SST.
  - b. Disconnect the both tubes.



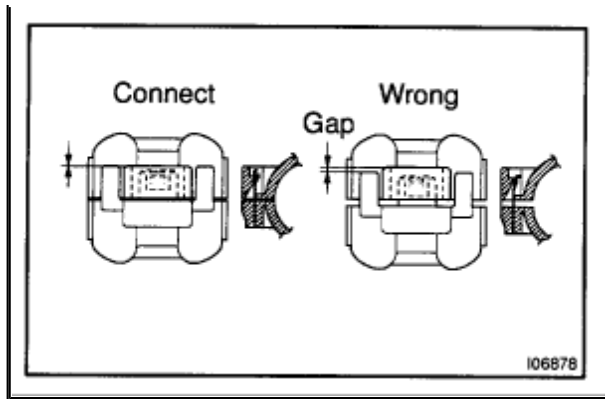
Zoom

Sized for Print

NOTE:

- Do not use tools like screwdriver to remove the tube.
- Cap the open fittings immediately to keep moisture or dirt out of the system.





Zoom

Sized for Print

## HINT :

At the time of installation, please refer to the following item.

- Lubricate 2 new O-rings with compressor oil and install them to the tubes.
- After connection, check the fitting for claw of the piping clamp.



Zoom

Sized for Print

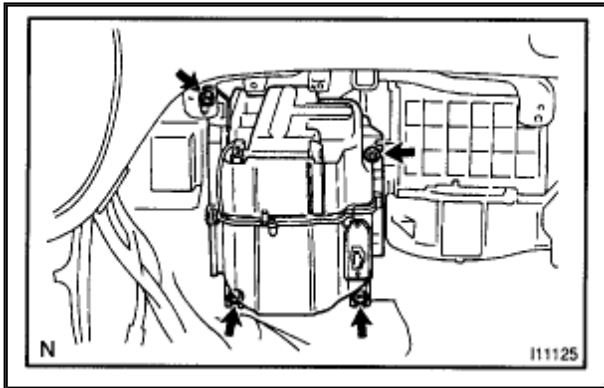
3. DISCONNECT SUCTION TUBE FROM COOLING UNIT FITTINGS Loosen the nut and disconnect both the tube. Torque: **32 N.m (330 kgf.cm, 24 ft.lbf)**  
**NOTE:** Cap the open fittings immediately to keep moisture or dirt out of the system.

HINT : At the time of installation, please refer to the following item.

Lubricate a new O-ring with compressor oil and install them to the tube.

4. REMOVE GLOVE COMPARTMENT PARTS
5. REMOVE LOWER NO.2 FINISH PANEL
6. REMOVE LOWER CENTER COVER
7. REMOVE LOWER LH FINISH PANEL

8. REMOVE LOWER COVER
9. REMOVE NO.4 HEATER TO REGISTER DUCT



Zoom

Sized for Print

10. REMOVE COOLING UNIT
  - a. Disconnect the connectors.
  - b. Remove the 3 screws, bolt and the cooling unit.

## INSTALLATION

Installation is in the reverse order of removal.