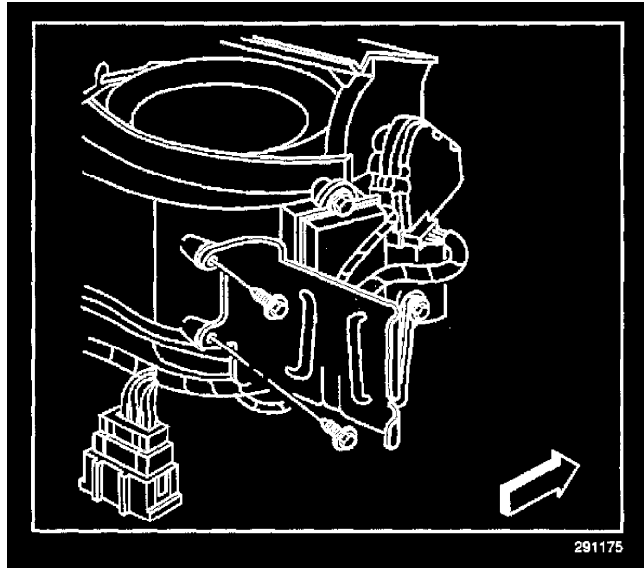


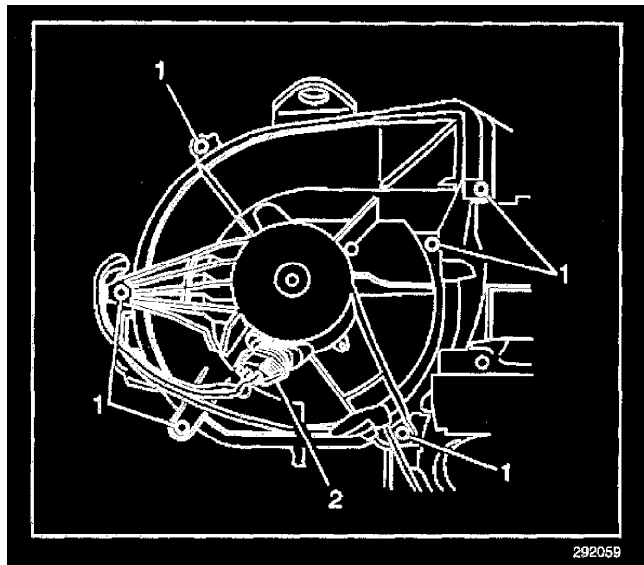
Blower Motor: Service and Repair

Blower Motor Replacement

REMOVAL PROCEDURE

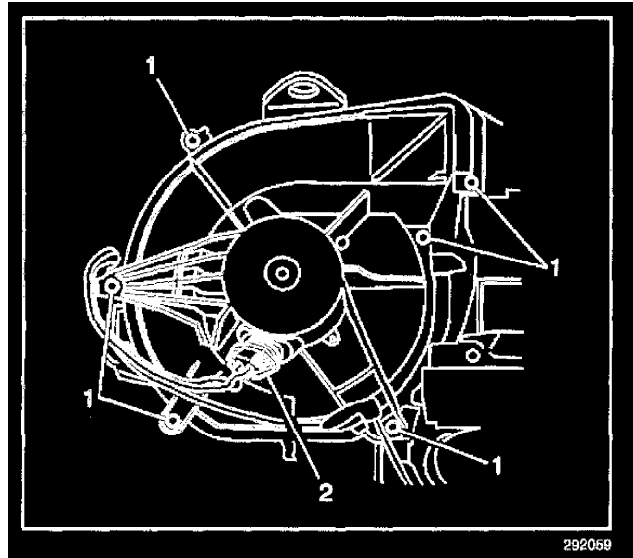


1. Remove the right side sound insulator.
2. Pull back the carpet near the blower motor.
3. Remove the IP compartment.
4. Remove the dash integration module from the bracket.
5. Remove the two rear dash integration module bracket fasteners.
6. Reposition the dash integration module bracket in order to remove the blower motor.



7. Disconnect the electrical connector (2) from the blower motor.
8. Remove the blower motor retaining fasteners (1).
9. Rotate and remove the blower motor from the vehicle.

INSTALLATION PROCEDURE



Rotate the blower motor in order to install the blower motor into the housing.

1. Install the blower motor into the blower motor housing.
2. Ensure that the blower motor gasket is properly aligned.

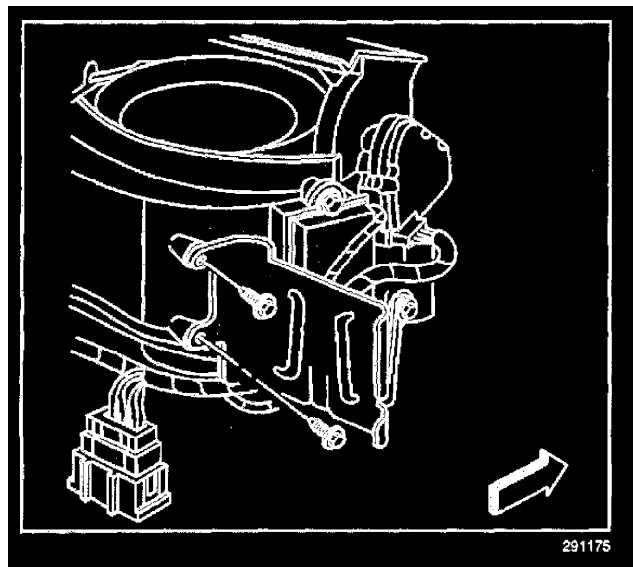
NOTE: Refer to Fastener Notice in Service Precautions.

3. Install the blower motor retaining screws (1).

Tighten

Tighten the screws to **1.4 N.m (12 lb in)**.

4. Connect the electrical connector (2) to the blower motor.



5. Reposition the dash integration module bracket to its original position.
6. Install the 2 rear dash integration module bracket fasteners.
7. Install the dash integration module.
8. Install the IP compartment.
9. Reposition the carpet.
10. Install the right side sound insulator.