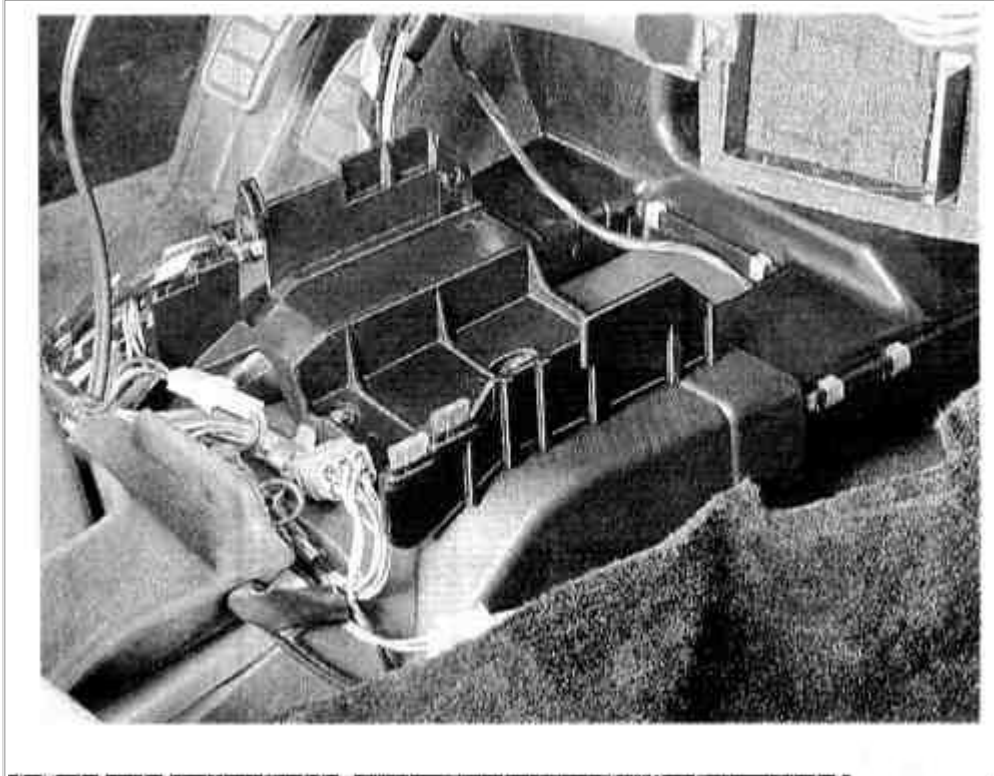


[Zoom](#)[Sized for Print](#)

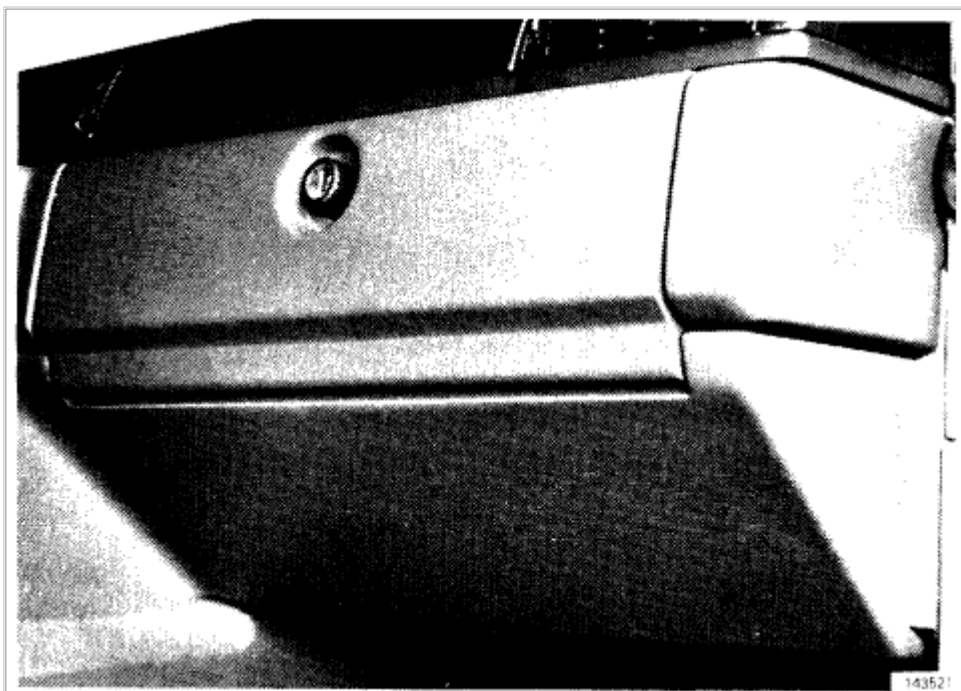
- air ducts to panel vents.
- air mixing box.
- center panel vent.

Reassemble ducts.

**Install:**[Zoom](#)[Sized for Print](#)

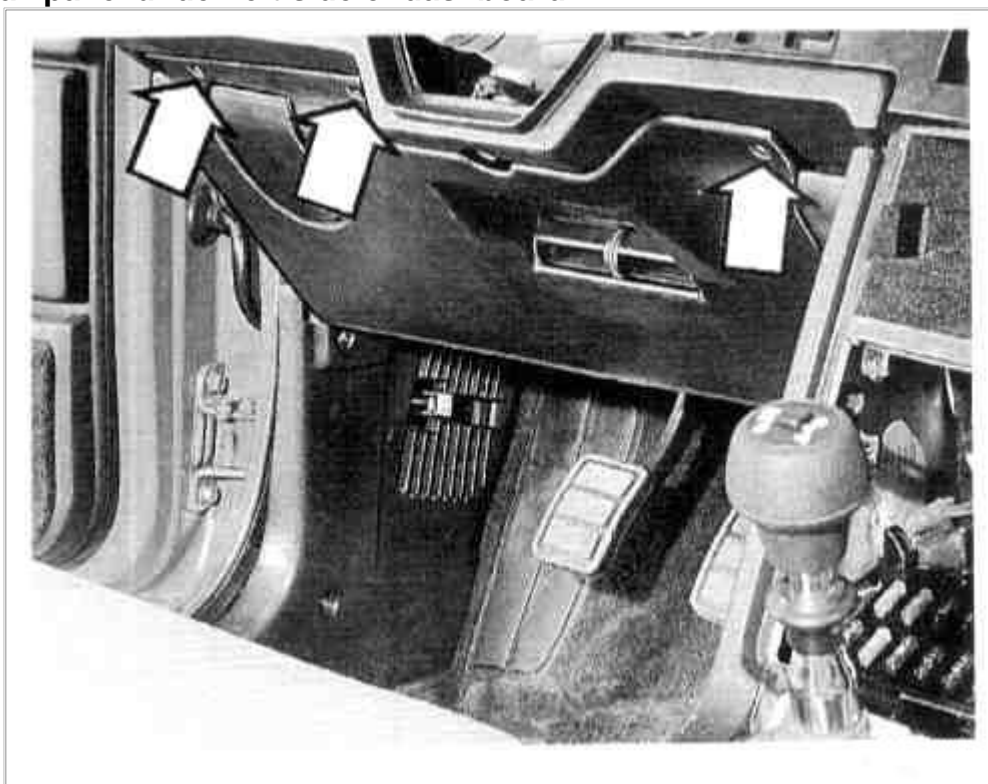
- electrical distribution unit bracket.
- electrical distribution unit.
- control panel.
- radio compartment bracket.
- center console side panels.

**Install:**

[Zoom](#)[Sized for Print](#)

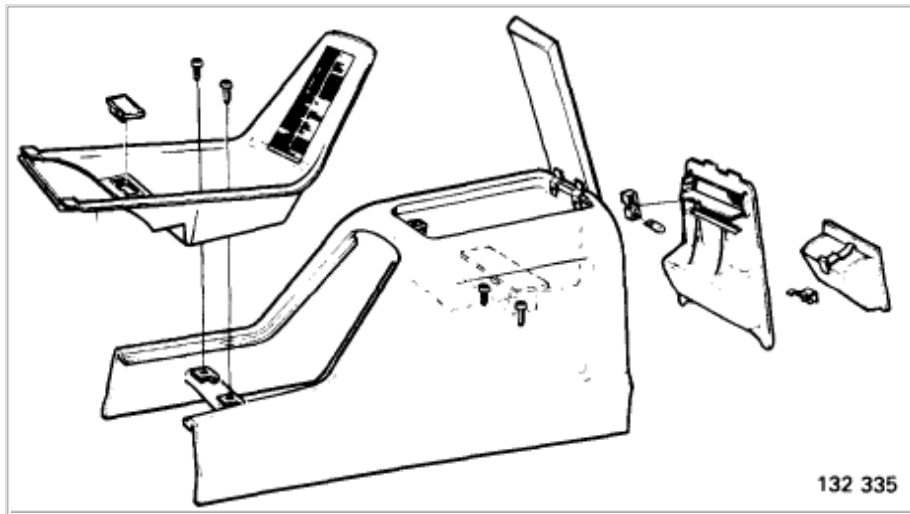
- glove box (reconnect light).
- panel under glove box.

**Install panel under left side of dashboard.**



[Zoom](#)[Sized for Print](#)

Reconnect air hose.

**Install:**[Zoom](#)[Sized for Print](#)

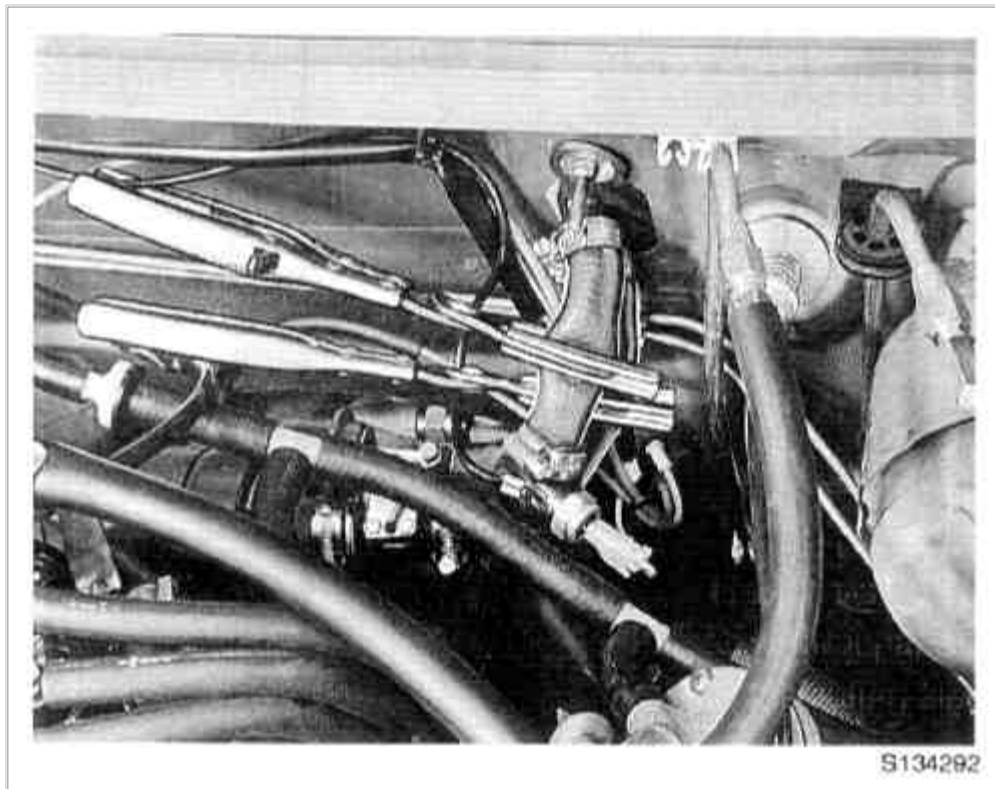
- parking brake cover.
- ashtray holder (reconnect light).
- ashtray.
- frame around gear lever and parking brake. Reconnect connector.

**Install:**

[Zoom](#)[Sized for Print](#)

- radio compartment and cover.
- storage compartment with cover and cigarette lighter.
- ashtray and holder.

**If heater has been replaced:**

[Zoom](#)[Sized for Print](#)

Reconnect [heater hoses](#).

Remove hose clamps.

Top up with coolant as required.

Reconnect battery ground lead

© 2008 ALldata LLC. All rights reserved.

[Terms of Use](#)