

[Select Vehicle](#) | [New TSBs](#) | [Technician's Reference](#)

Component Search:

OK

[Conversion Calculator](#)**2004 Chevy Truck Silverado 2500 2WD V8-6.0L VIN U**[Vehicle Level](#) → [Heating and Air Conditioning](#) → [Air Door](#) → [Service and Repair](#) → [Air Temperature Door - Right \(Visteon\)](#) ←

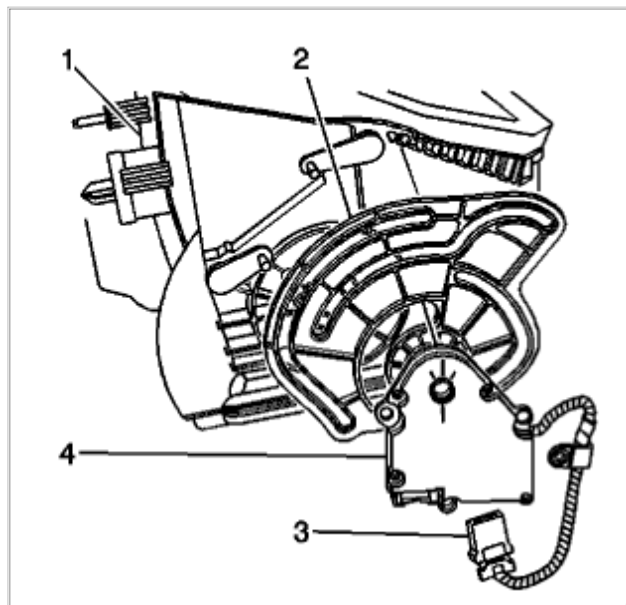
## Air Temperature Door - Right (Visteon)

[Notes](#)

### AIR TEMPERATURE DOOR REPLACEMENT - RIGHT (VISTEON)

#### REMOVAL PROCEDURE

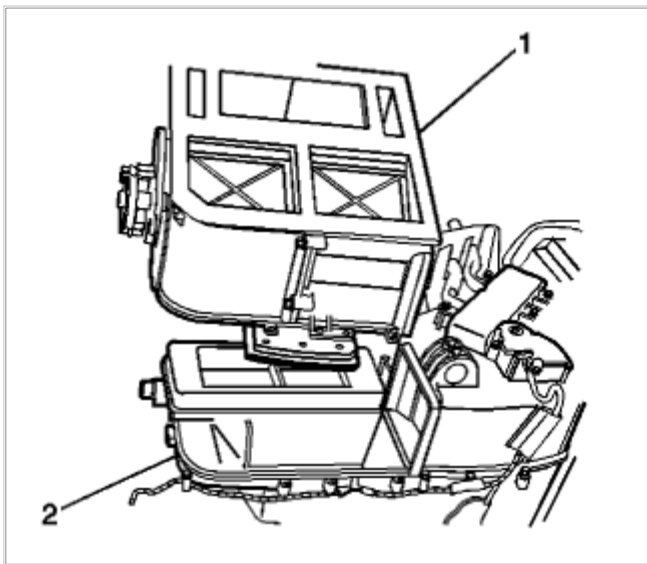
1. Remove the HVAC module.



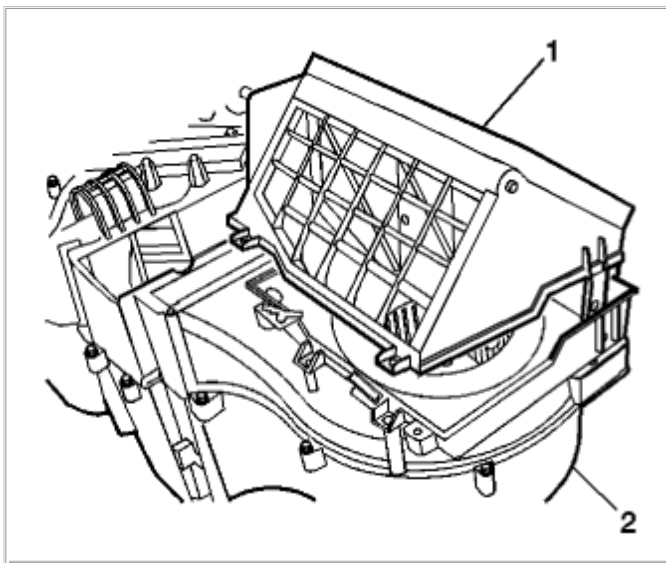
Zoom

Sized for Print

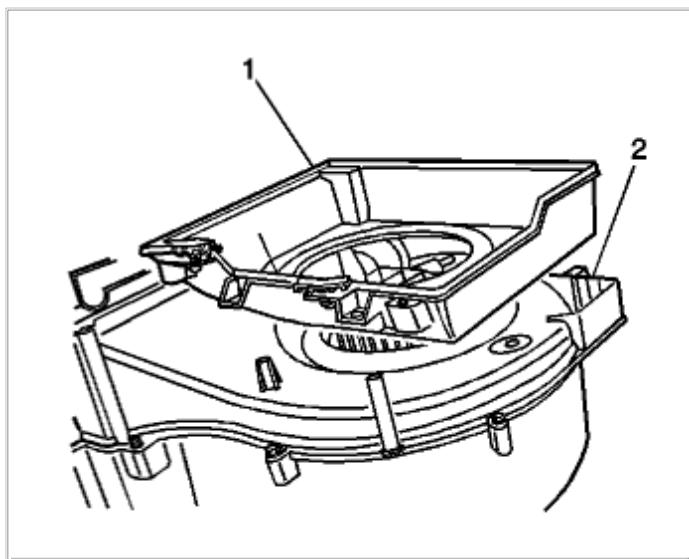
2. Disconnect the electrical connector (3) from the mode actuator (4).
3. Remove the screws from the mode actuator (4).
4. Remove the mode actuator (4) from the HVAC module (1).
5. Remove the wiring harness from the air distribution housing (1).

[Zoom](#)[Sized for Print](#)

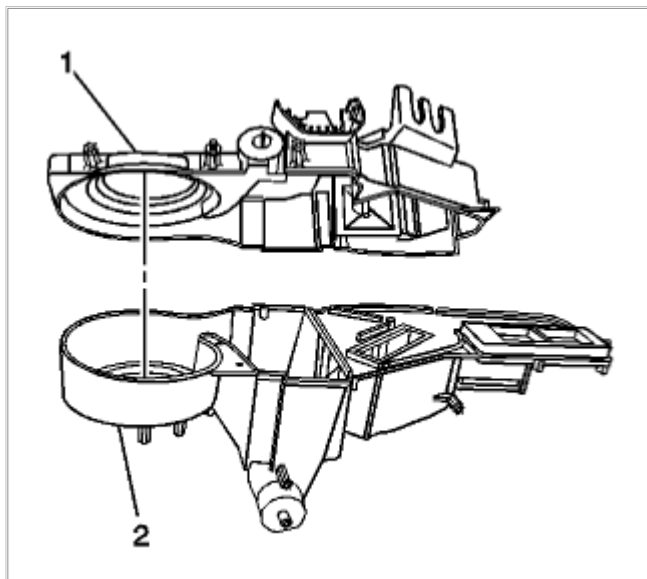
6. Remove the screws from the air distribution housing (1).
7. Remove the air distribution housing (1) from the HVAC module (2).

[Zoom](#)[Sized for Print](#)

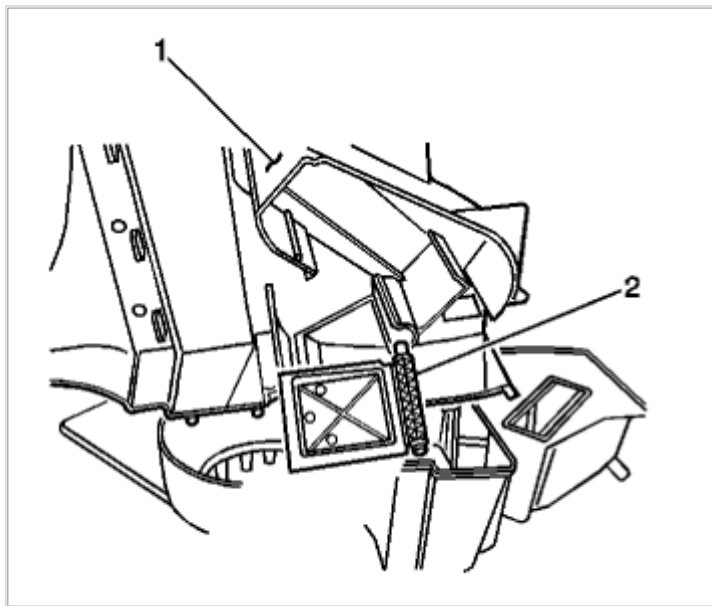
8. Remove the screws from the upper recirculation housing (1).
9. Remove the upper recirculation housing (1) from the HVAC module (2).

[Zoom](#)[Sized for Print](#)

10. Remove the screws from the lower recirculation housing (1).
11. Remove the lower recirculation housing (1) from the HVAC module (2).

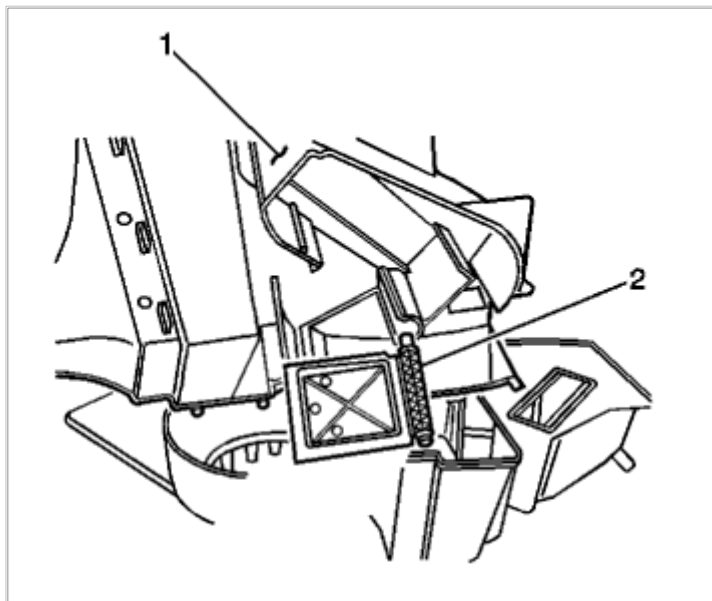
[Zoom](#)[Sized for Print](#)

12. Remove the wiring harness from the HVAC module.
13. Remove the screws from the HVAC module.
14. Remove the upper HVAC module case (1) from the lower HVAC module case (2).

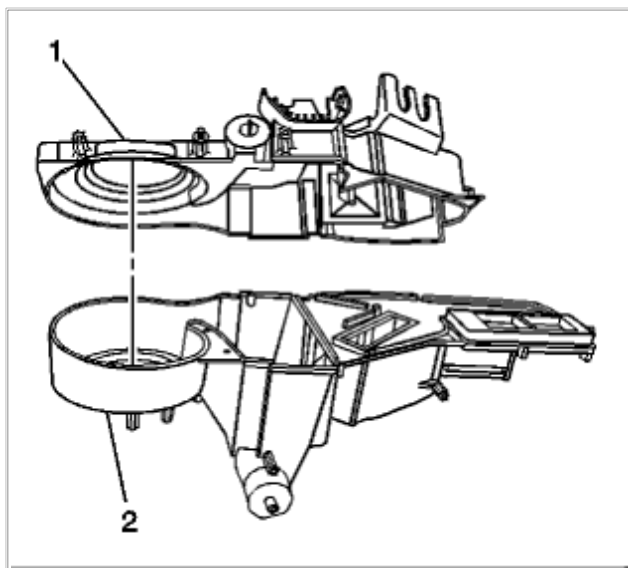
[Zoom](#)[Sized for Print](#)

15. Remove the right temperature door (2) from the upper HVAC module case (1).

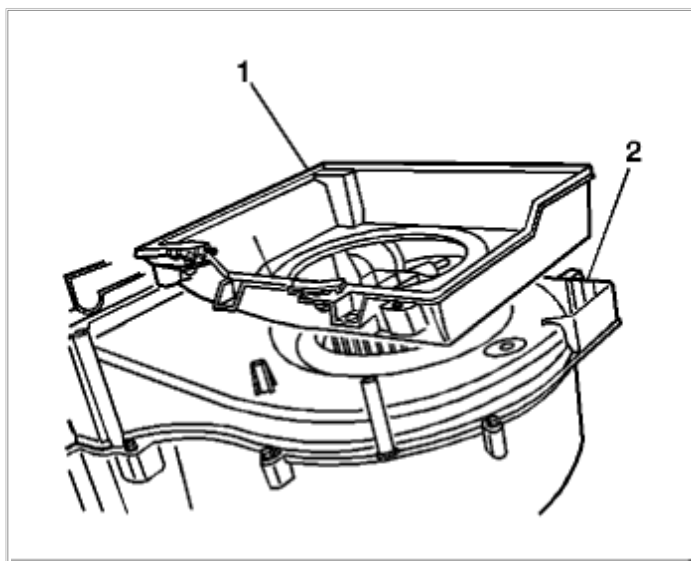
## INSTALLATION PROCEDURE

[Zoom](#)[Sized for Print](#)

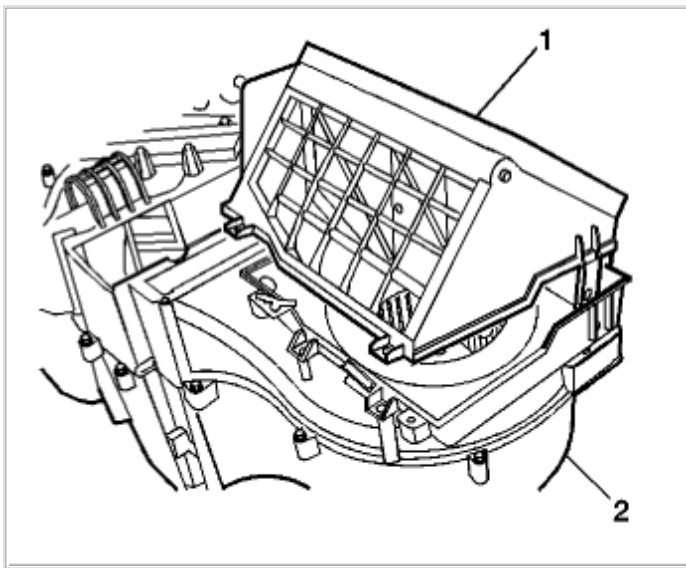
1. Install the right temperature door (2) to the upper HVAC module case (1).
2. Install the upper HVAC module case (1) to the lower HVAC module case (2).  
**NOTE:** Refer to Fastener Notice in Service Precautions.
3. Install the screws to the HVAC module. **Tighten** Tighten the screws to **2 N.m (18 lb in)**.

[Zoom](#)[Sized for Print](#)

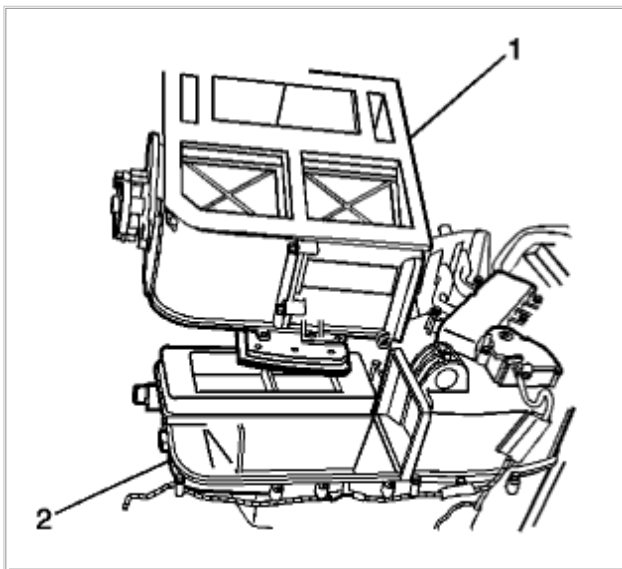
4. Install the wiring harness to the HVAC module.
5. Install the lower recirculation housing (1) to the HVAC module (2).

[Zoom](#)[Sized for Print](#)

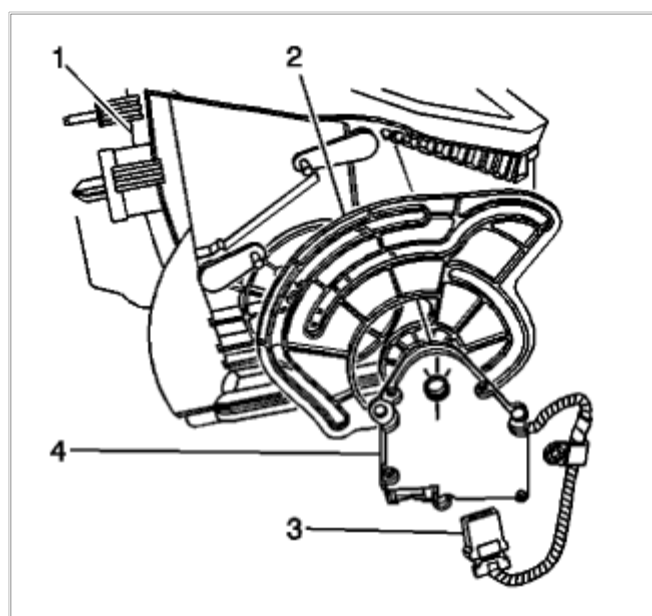
6. Install the screws to the lower recirculation housing (1). **Tighten** Tighten the screws to **2 N.m (18 lb in)**.
7. Install the upper recirculation housing (1) to the HVAC module (2).

[Zoom](#)[Sized for Print](#)

8. Install the screws to the upper recirculation housing (1). **Tighten** Tighten the screws to **2 N.m (18 lb in)** .

[Zoom](#)[Sized for Print](#)

9. Install the air distribution housing (1) to the HVAC module (2).
10. Install the screws to the air distribution housing (1). **Tighten** Tighten the screws to **2 N.m (18 lb in)** .
11. Install the wiring harness to the air distribution housing (1).
12. Install the mode actuator (4) to the HVAC module (1).
13. Install the screws to the mode actuator (4). **Tighten** Tighten the screws to **2 N.m (18 lb in)** .

[Zoom](#)[Sized for Print](#)

14. Connect the electrical connector (3) to the mode actuator (4).
15. Install the HVAC module.

© 2008 ALldata LLC. All rights reserved.

[Terms of Use](#)

[Select Vehicle](#) | [New TSBs](#) | [Technician's Reference](#)

Component Search:

OK

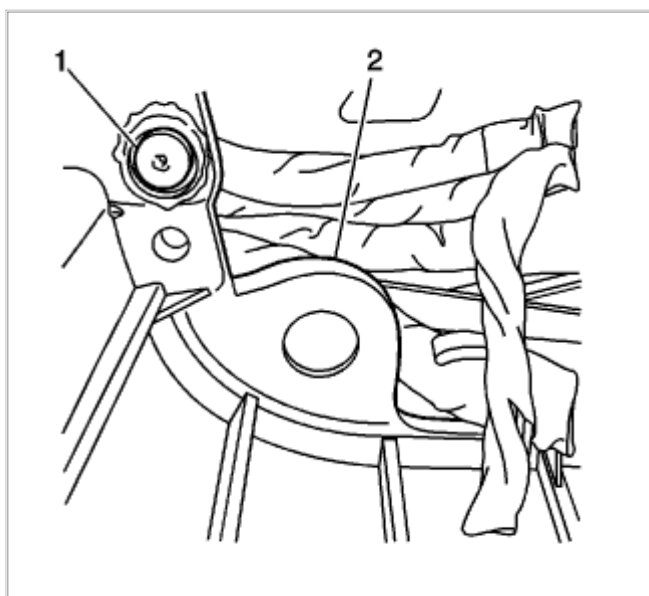
 [Conversion Calculator](#)**2004 Chevy Truck Silverado 2500 2WD V8-6.0L VIN U**[Vehicle Level](#) → [Heating and Air Conditioning](#) → [Air Door](#) → [Service and Repair](#) → [Air Temperature Door - Right \(Delphi\)](#) ←

## Air Temperature Door - Right (Delphi)

[Notes](#)

### AIR TEMPERATURE DOOR REPLACEMENT - RIGHT (DELPHI)

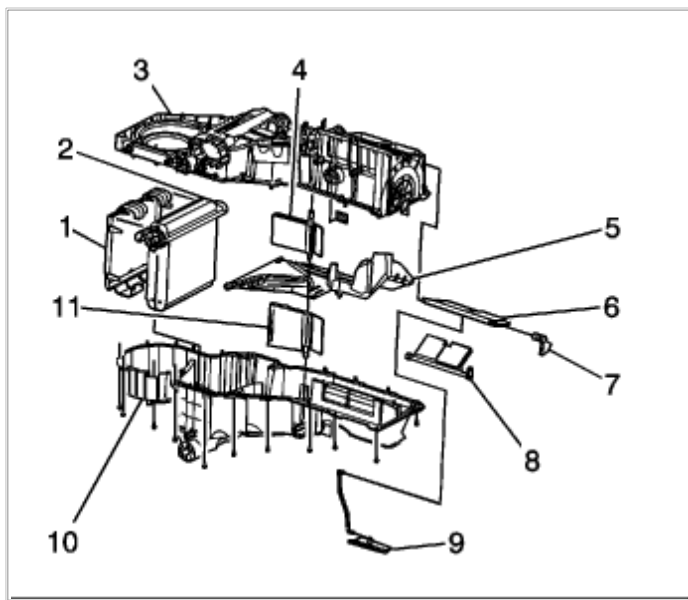
#### REMOVAL PROCEDURE



Zoom

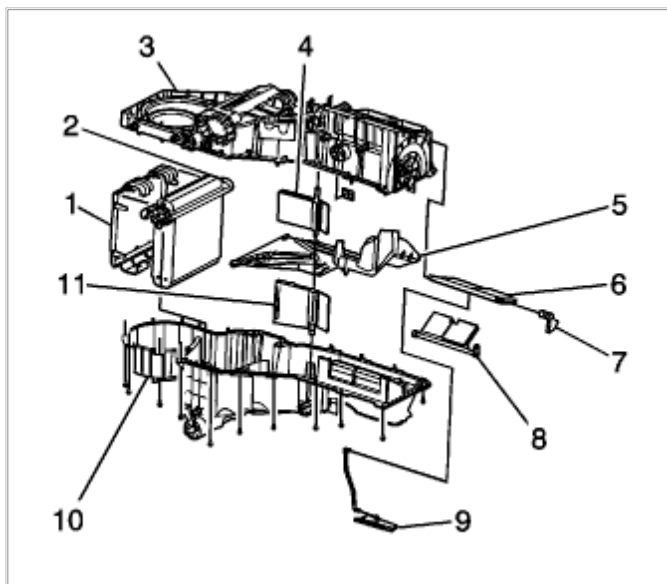
Sized for Print

1. Remove the HVAC module.
2. If equipped remove the heat stakes (1) from the HVAC module (2) with a screw driver and a hammer.

[Zoom](#)[Sized for Print](#)

3. If equipped remove the HVAC module assembly screws.
4. Remove the upper HVAC module case (1) from the lower HVAC module case (2).
5. Remove the right temperature door (4) from the upper HVAC module case (3).

## INSTALLATION PROCEDURE

[Zoom](#)[Sized for Print](#)

1. Install the right temperature door (4) to the upper HVAC module case (3).
  2. Install the upper HVAC module case (1) to the lower HVAC module case (2).
- NOTE:** Refer to Fastener Notice in Service Precautions. **IMPORTANT:** For every

heat stake removed ensure that you install a screw.

3. Install the screws to the HVAC module assembly. **Tighten** Tighten the screws to **1.6 N.m (14 lb in)** .
4. Install the HVAC module.

© 2008 ALldata LLC. All rights reserved.

[Terms of Use](#)

[Select Vehicle](#) | [New TSBs](#) | [Technician's Reference](#)

Component Search:

OK

[Conversion Calculator](#)**2004 Chevy Truck Silverado 2500 2WD V8-6.0L VIN U**[Vehicle Level](#) → [Heating and Air Conditioning](#) → [Air Door](#) → [Service and Repair](#) → [Air Temperature Door - Left \(Visteon\)](#) ←

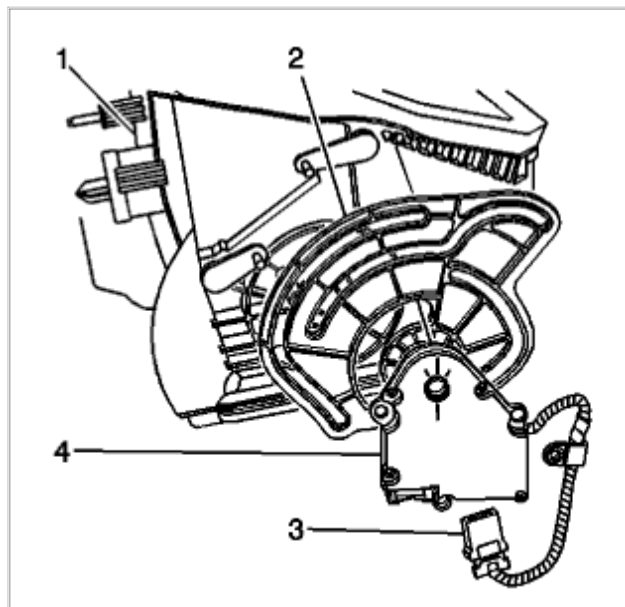
## Air Temperature Door - Left (Visteon)

[Notes](#)

### AIR TEMPERATURE DOOR REPLACEMENT - LEFT (VISTEON)

#### REMOVAL PROCEDURE

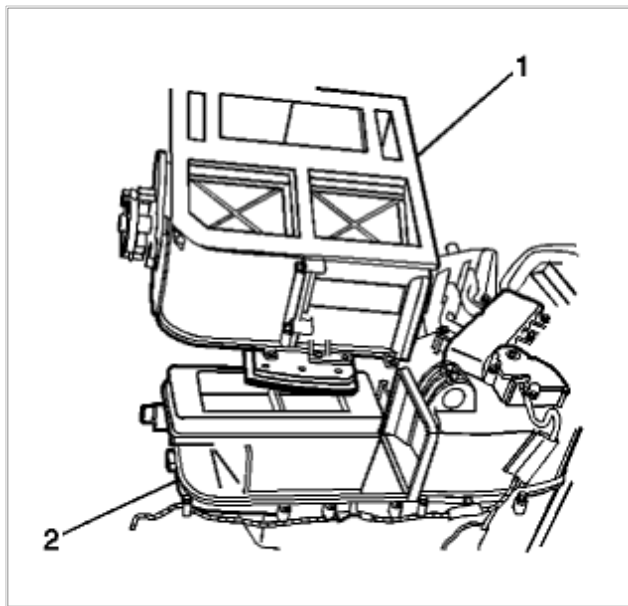
1. Remove the HVAC module.



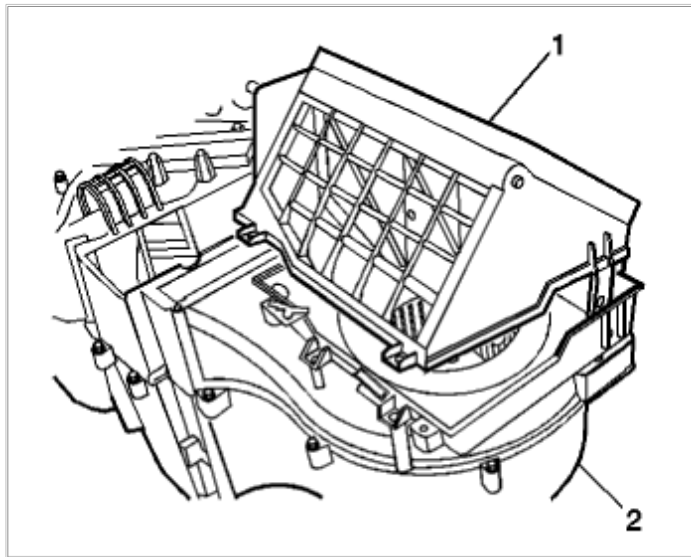
Zoom

Sized for Print

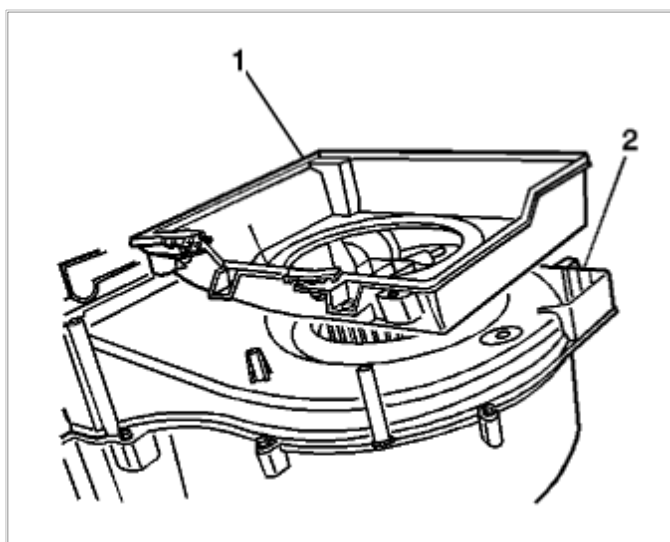
2. Disconnect the electrical connector (3) from the mode actuator (4).
3. Remove the screws from the mode actuator (4).
4. Remove the mode actuator (4) from the HVAC module (1).
5. Remove the wiring harness from the air distribution housing (1).

[Zoom](#)[Sized for Print](#)

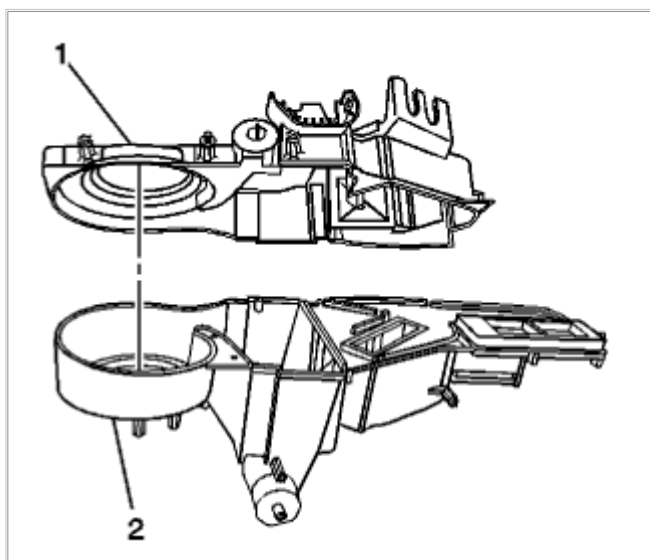
6. Remove the screws from the air distribution housing (1).
7. Remove the air distribution housing (1) from the HVAC module (2).

[Zoom](#)[Sized for Print](#)

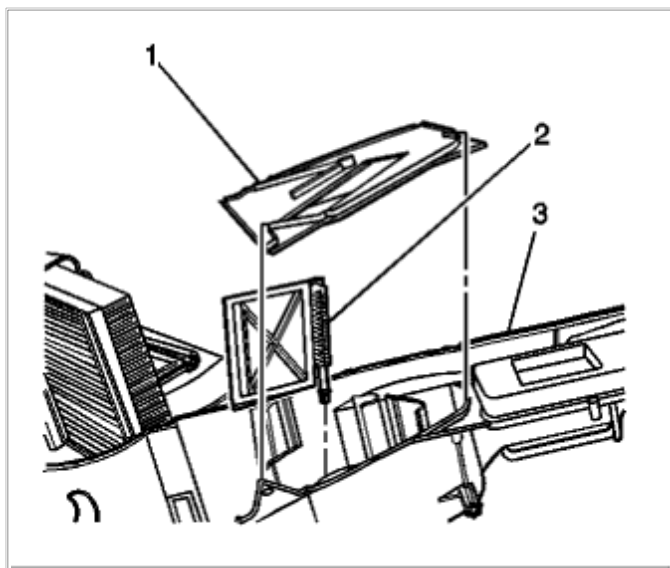
8. Remove the screws from the upper recirculation housing (1).
9. Remove the upper recirculation housing (1) from the HVAC module (2).

[Zoom](#)[Sized for Print](#)

10. Remove the screws from the lower recirculation housing (1).
11. Remove the lower recirculation housing (1) from the HVAC module (2).

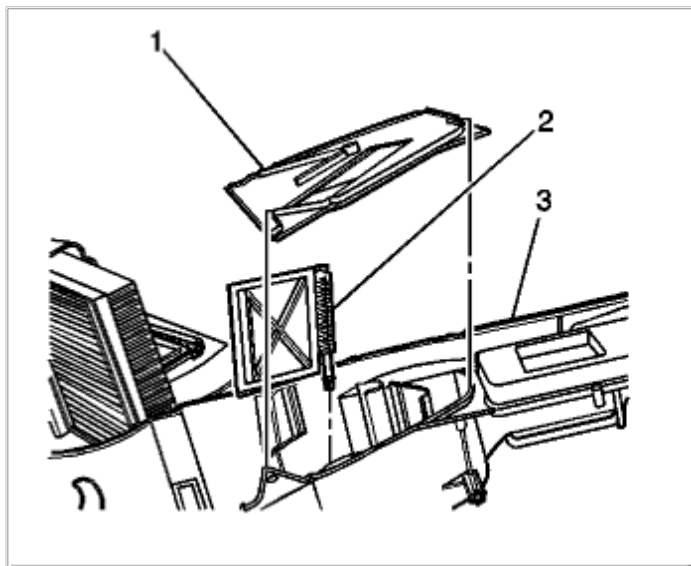
[Zoom](#)[Sized for Print](#)

12. Remove the wiring harness from the HVAC module.
13. Remove the screws from the HVAC module.
14. Remove the upper HVAC module case (1) from the lower HVAC module case (2).

[Zoom](#)[Sized for Print](#)

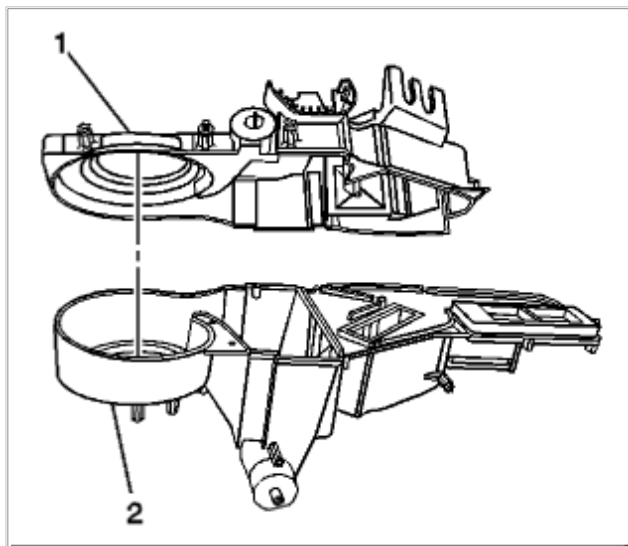
15. Remove the HVAC module chamber plate (1) from the lower HVAC module case (3).
16. Remove the left temperature door (2) from the lower HVAC module case (3).

## INSTALLATION PROCEDURE

[Zoom](#)[Sized for Print](#)

1. Install the left temperature door (2) to the lower HVAC module case (3).
2. Install the HVAC module chamber plate (1) to the lower HVAC module case (3).
3. Install the upper HVAC module case (1) to the lower HVAC module case (2).  
**NOTE:** Refer to Fastener Notice in Service Precautions.
4. Install the screws to the HVAC module. **Tighten** Tighten the screws to **2 N.m (18**

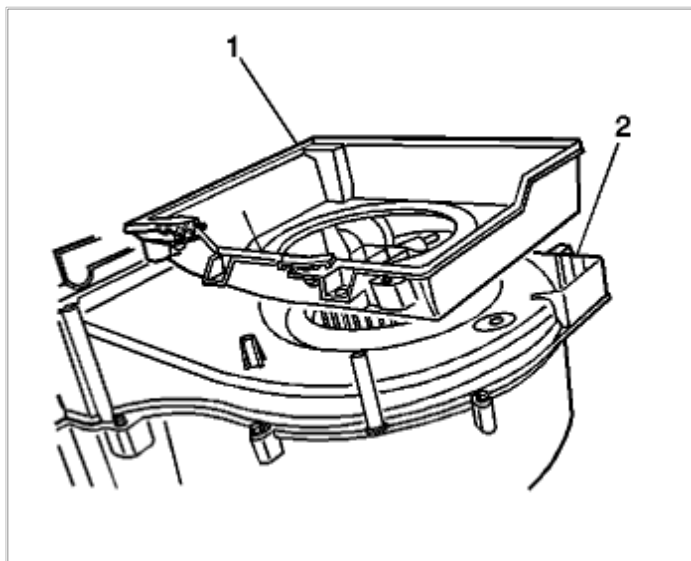
lb in) .



Zoom

Sized for Print

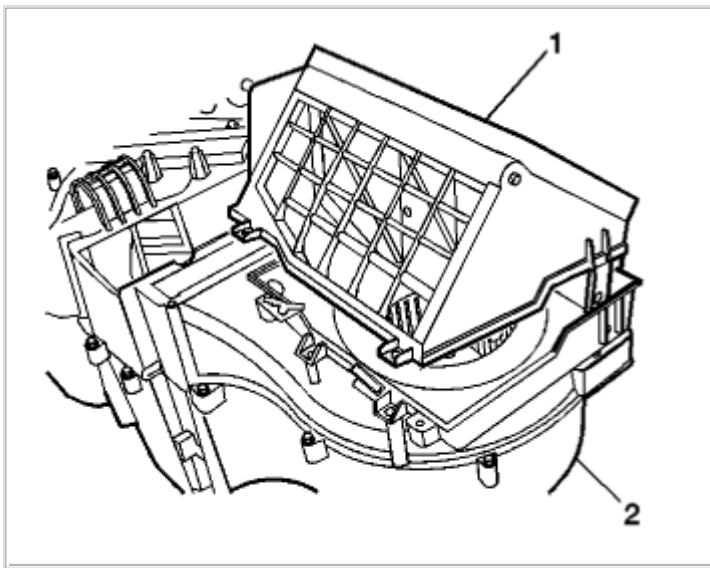
5. Install the wiring harness to the HVAC module.
6. Install the lower recirculation housing (1) to the HVAC module (2).



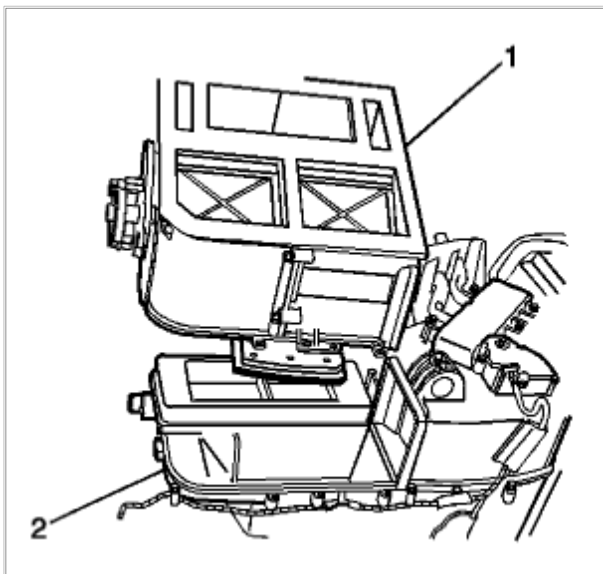
Zoom

Sized for Print

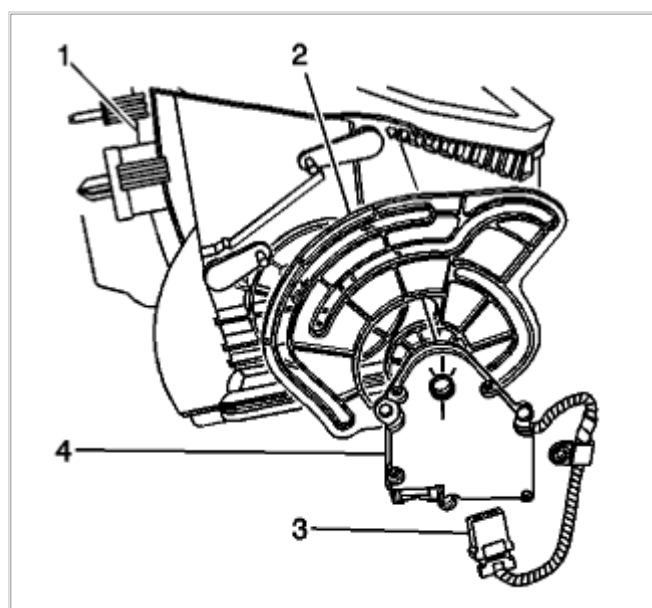
7. Install the screws to the lower recirculation housing (1). **Tighten** Tighten the screws to **2 N.m (18 lb in)** .
8. Install the upper recirculation housing (1) to the HVAC module (2).

[Zoom](#)[Sized for Print](#)

9. Install the screws to the upper recirculation housing (1). **Tighten** Tighten the screws to **2 N.m (18 lb in)** .

[Zoom](#)[Sized for Print](#)

10. Install the air distribution housing (1) to the HVAC module (2).
11. Install the screws to the air distribution housing (1). **Tighten** Tighten the screws to **2 N.m (18 lb in)** .
12. Install the wiring harness to the air distribution housing (1).
13. Install the mode actuator (4) to the HVAC module (1).
14. Install the screws to the mode actuator (4). **Tighten** Tighten the screws to **2 N.m (18 lb in)** .

[Zoom](#)[Sized for Print](#)

15. Connect the electrical connector (3) to the mode actuator (4).
16. Install the HVAC module.

© 2008 ALldata LLC. All rights reserved.

[Terms of Use](#)

[Select Vehicle](#) | [New TSBs](#) | [Technician's Reference](#)

Component Search:

OK

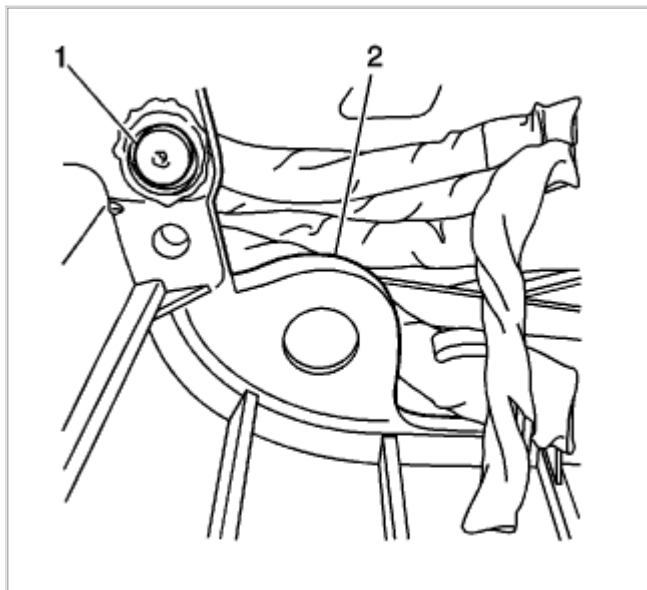
 [Conversion Calculator](#)**2004 Chevy Truck Silverado 2500 2WD V8-6.0L VIN U**[Vehicle Level](#) → [Heating and Air Conditioning](#) → [Air Door](#) → [Service and Repair](#) → [Air Temperature Door - Left \(Delphi\)](#) ←

## Air Temperature Door - Left (Delphi)

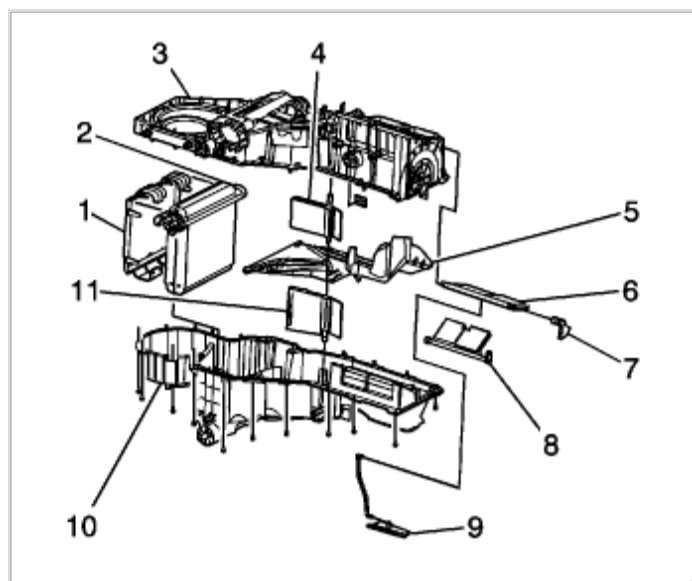
[Notes](#)

### AIR TEMPERATURE DOOR REPLACEMENT - LEFT (DELPHI)

#### REMOVAL PROCEDURE

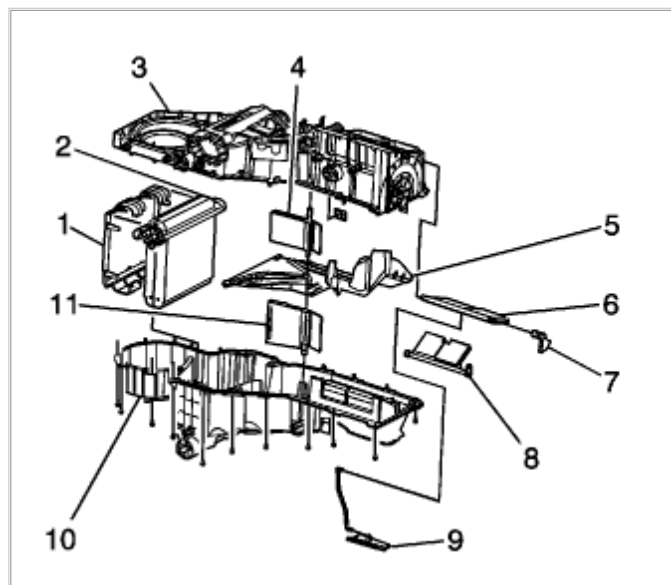
[Zoom](#)[Sized for Print](#)

1. Remove the HVAC module.
2. If equipped remove the heat stakes (1) from the HVAC module (2) with a screw driver and a hammer.

[Zoom](#)[Sized for Print](#)

3. If equipped remove the HVAC module assembly screws.
4. Remove the upper HVAC module case (3) from the lower HVAC module case (10).
5. Remove the air temperature separator plate (5) from the lower HVAC module case (10).
6. Remove the left temperature door (11) from the lower HVAC module case (10).

## INSTALLATION PROCEDURE

[Zoom](#)[Sized for Print](#)

1. Install the left temperature door (11) to the lower HVAC module case (10).
2. Install the air temperature separator plate (5) to the lower HVAC module case (10).

3. Install the upper HVAC module case (3) to the lower HVAC module case (10).  
**NOTE:** Refer to Fastener Notice in Service Precautions. **IMPORTANT:** For every heat stake removed ensure that you install a screw.
4. Install the screws to the HVAC module assembly. **Tighten** Tighten the screws to **1.6 N.m (14 lb in)** .
5. Install the HVAC module.

© 2008 ALldata LLC. All rights reserved.

[Terms of Use](#)

[Select Vehicle](#) | [New TSBs](#) | [Technician's Reference](#)

 Component Search:  
 [Conversion Calculator](#)
**2004 Chevy Truck Silverado 2500 2WD V8-6.0L VIN U**
[Vehicle Level](#) → [Heating and Air Conditioning](#) → [Air Door](#) → [Air Door Actuator / Motor](#) → [Labor Times](#) ←

### Labor Times

Labor	Skill Level	Mfg. Warranty	Standard	
<b>Air Door Actuator / Motor</b>				
<b>Replace</b>				
Main Controls				
Upper and/or Lower Mode	B	0.5	0.6	<a href="#">Notes</a>
Rear Mode	B	0.4	0.5	<a href="#">Notes</a>
NOTE				
With Luxury Console, Add	B	0.6	0.7	<a href="#">Notes</a>
With OnStar, Add	B	0.3	0.4	<a href="#">Notes</a>
Air Inlet (Recirculation)	B	2.5	3.4	<a href="#">Notes</a>
Temperature Door				
Right	B	2.4	3.3	<a href="#">Notes</a>
Left	B	0.4	0.7	<a href="#">Notes</a>
Auxiliary System				
Rear Mode	B	0.4	0.5	<a href="#">Notes</a>
Auxiliary Controls				
Rear Temperature	B	0.4	0.5	<a href="#">Notes</a>
NOTE				
With Luxury Console, Add	B	0.6	0.7	<a href="#">Notes</a>
With Onstar, Add	B	0.3	0.4	<a href="#">Notes</a>

[Select Vehicle](#) | [New TSBs](#) | [Technician's Reference](#)Component Search:   [Conversion Calculator](#)[2004 Chevy Truck Silverado 2500 2WD V8-6.0L VIN U](#)[Vehicle Level](#) → [Heating and Air Conditioning](#) → [Air Door](#) → [Air Door Actuator / Motor](#) → [Description and Operation](#) ←

## Description and Operation

[Notes](#)

### HVAC CONTROL MODULE

#### Mode Actuator

The mode actuator is a 5-wire bi-directional electric motor that incorporates a feedback potentiometer. Ignition 3 voltage, low reference, control, **5-volt** reference and position signal circuits enable the actuator to operate. The control circuit uses either a **0, 2.5 or 5-volt** signal to command the actuator movement. When the actuator is at rest, the control circuit value is **2.5 volts** . A **0 or 5-volt** control signal commands the actuator movement in opposite directions. When the actuator shaft rotates, the potentiometer's adjustable contact changes the door position signal between **0.5 volts** .

The HVAC control module uses a range of 0-255 counts to index the actuator position. The door position signal voltage is converted to a 0-255 count range. When the module sets a commanded, or targeted value, the control signal is changed to either **0 or 5 volts** depending upon the direction that the actuator needs to rotate to reach the commanded value. As the actuator shaft rotates the changing position signal is sent to the module. Once the position signal and the commanded value are the same, the module changes the control signal to **2.5 volts** .

### AIR DISTRIBUTION

#### Mode Actuator

The mode actuator is an electronic stepper motor with feedback potentiometers. The HVAC control module sends different signals to the mode door actuator through the mode door control circuit. **Zero volts** drives the actuator in one direction while **5 volts** moves the actuator in the opposite direction. When the actuator receives **2.5 volts** , the actuator rotation stops. A **5-volt** reference signal is sent out over the **5-volt** reference circuit to the mode actuator. When you select a desired mode setting, logic determines the value of the mode actuator signals. The HVAC control module's software uses this reference voltage in order to determine the position of the mode actuator through the mode door position signal circuit. The motor moves the mode door to the desired position.

### AIR TEMPERATURE ACTUATOR

The air temperature actuators are a 5-wire bi-directional electric motor that incorporates a feedback potentiometer. Ignition 3 voltage, low reference, control, **5-volt** reference, and position signal circuits enable the actuator to operate. The control circuit uses either a **0, 2.5, or 5-volt** signal to command the actuator movement. When the actuator is at rest, the control circuit value is **2.5 volts** . A **0 or 5-volt** control signal commands the

actuator movement in opposite directions. When the actuator shaft rotates, the potentiometers adjustable contact changes the door position signal between **0.5 volts** .

The HVAC control module uses a range of 0-255 counts to index the actuator position. The door position signal voltage is converted to a 0-255 count range. When the module sets a commanded, or targeted, value, the control signal is changed to either **0 or 5 volts** depending upon the direction that the actuator needs to rotate to reach the commanded value. As the actuator shaft rotates, the changing position signal is sent to the module. Once the position signal and the commanded value are the same, the module changes the control signal to **2.5 volts** .

### **RECIRCULATION ACTUATOR**

The HVAC control module controls the air intake through the recirculation actuator. Recirculation is not available when the mode is in defrost. When the mode is in defog, Recirculation will only be available for **10 minutes** . The operator must activate the blower for Recirculation operation. The A/C high-pressure recirculation switch can cause the HVAC system to recirculate air. If the recirculation switch is pressed into the ON position when the mode switch is in an unavailable mode position, then the recirculation switch LED will flash 3 times. When the high side pressure reaches **2206-2620 kPa (320-380 psi)** , the PCM will place the HVAC system in recirculation mode. The high side pressure is lowered when the inside air cools the [refrigerant](#) within the A/C evaporator. When the high-side pressure reaches **1447-1861 kPa (210-270 psi)** , the PCM will place the HVAC system out of recirculation mode.

[Select Vehicle](#) | [New TSBs](#) | [Technician's Reference](#)Component Search:   [Conversion Calculator](#)**2004 Chevy Truck Silverado 2500 2WD V8-6.0L VIN U**[Vehicle Level](#) → [Heating and Air Conditioning](#) → [Air Door](#) → [Air Door Actuator / Motor](#) → [Service and Repair](#) → [HVAC System - Automatic](#) → [Air Temperature Actuator Replacement - Right](#) ←

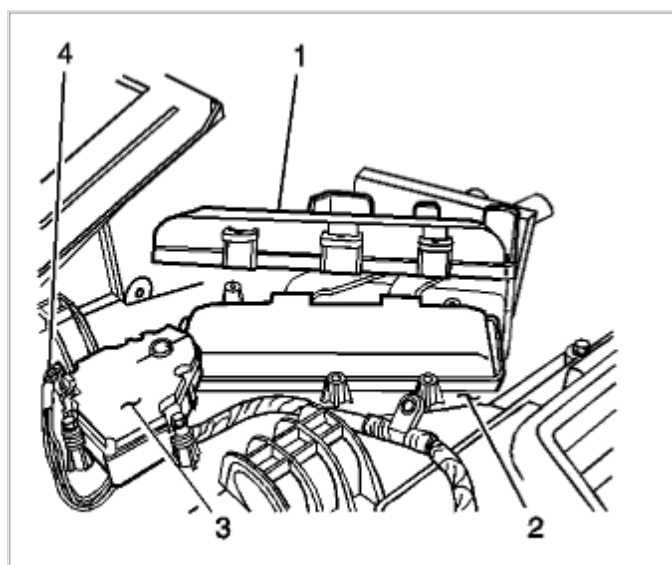
## Air Temperature Actuator Replacement - Right

[Notes](#)

### AIR TEMPERATURE ACTUATOR REPLACEMENT - RIGHT

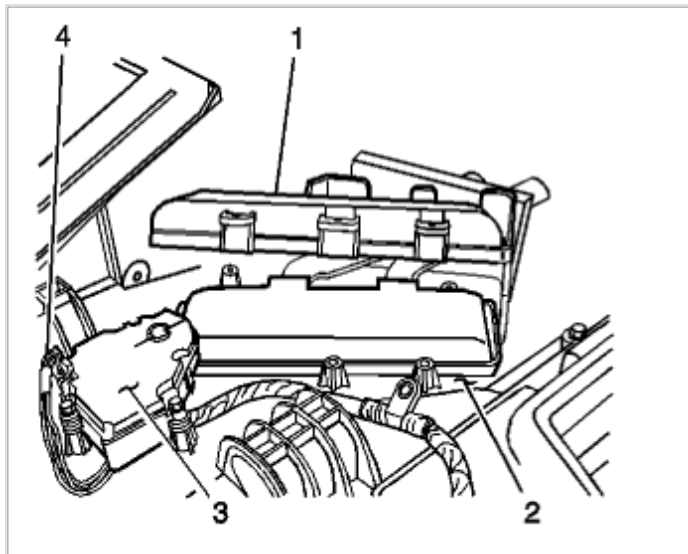
#### REMOVAL PROCEDURE

1. Remove the I/P carrier.



2. Disconnect the electrical connector (4) from the right air temperature actuator (3).
3. Remove the screws from the right air temperature actuator (3).
4. Remove the right air temperature actuator (3) from the HVAC module assembly (2).

#### INSTALLATION PROCEDURE

[Zoom](#)[Sized for Print](#)

1. Install the right air temperature actuator (3) from the HVAC module assembly (2).  
**NOTE:** Refer to Fastener Notice in Service Precautions.
2. Install the screws to the right air temperature actuator (3). **Tighten** Tighten the screws to **2 N.m (18 lb in)** .
3. Connect the electrical connector to the right air temperature actuator.
4. Install the I/P carrier.
5. Reprogram the air temperature actuator. Refer to Re-Calibrating Actuators. [See: Testing and Inspection\Diagnostic Trouble Code Tests and Associated Procedures\Related Tests and Procedures](#)

[Select Vehicle](#) | [New TSBs](#) | [Technician's Reference](#)

Component Search:

OK

 [Conversion Calculator](#)**2004 Chevy Truck Silverado 2500 2WD V8-6.0L VIN U**[Vehicle Level](#) → [Heating and Air Conditioning](#) → [Air Door](#) → [Air Door Actuator / Motor](#) → [Service and Repair](#) → [HVAC System - Automatic](#) → [Air Temperature Actuator Replacement - Left](#) ←

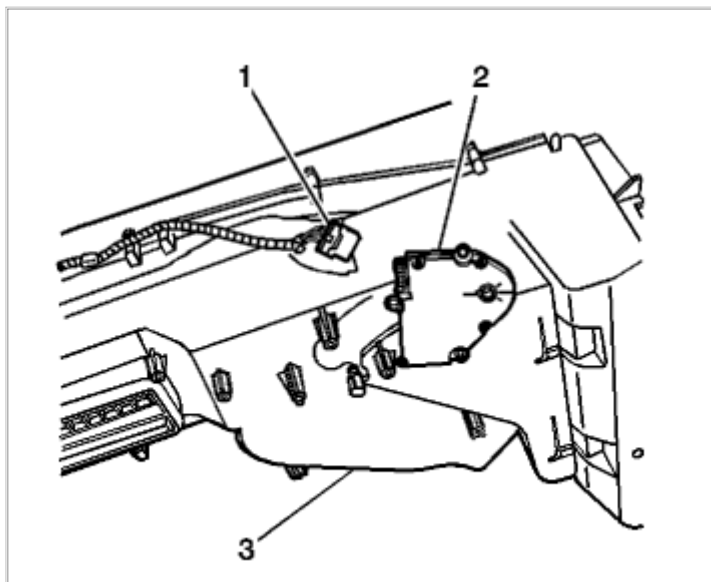
## Air Temperature Actuator Replacement - Left

[Notes](#)

### AIR TEMPERATURE ACTUATOR REPLACEMENT - LEFT

#### REMOVAL PROCEDURE

1. Remove the I/P insulator panel.

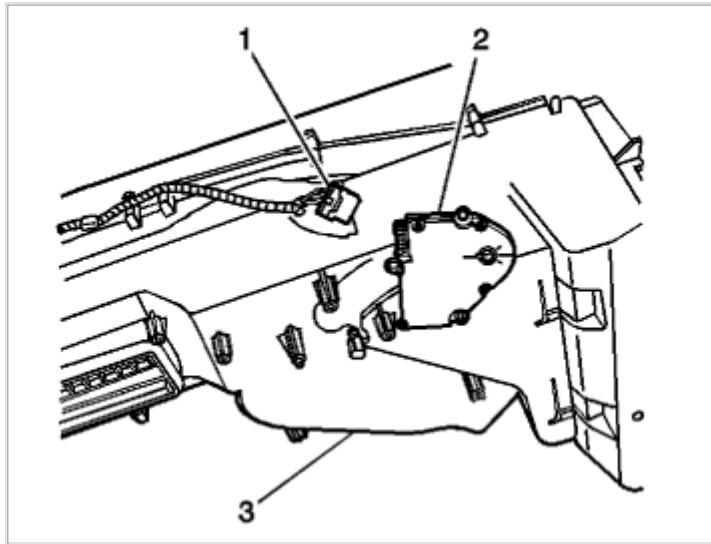


Zoom

Sized for Print

2. Disconnect the electrical connector (1) from the left air temperature actuator (2).
3. Remove the screws from the left air temperature actuator (2).
4. Remove the left air temperature actuator (2) from the HVAC module assembly (3).

#### INSTALLATION PROCEDURE

[Zoom](#)[Sized for Print](#)

1. Install the left air temperature actuator (2) to the HVAC module assembly (3).  
**NOTE:** Refer to Fastener Notice in Service Precautions.
2. Install the screws to the left air temperature actuator (2). **Tighten** Tighten the screws to **2 N.m (18 lb ft)** .
3. Install the electrical connector (1) to the left air temperature actuator (2).
4. Install the I/P insulator panel.
5. Reprogram the left air temperature actuator. Refer to Re-Calibrating Actuators.  
[See: Testing and Inspection\Diagnostic Trouble Code Tests and Associated Procedures\Related Tests and Procedures](#)

[Select Vehicle](#) | [New TSBs](#) | [Technician's Reference](#)

Component Search:

OK

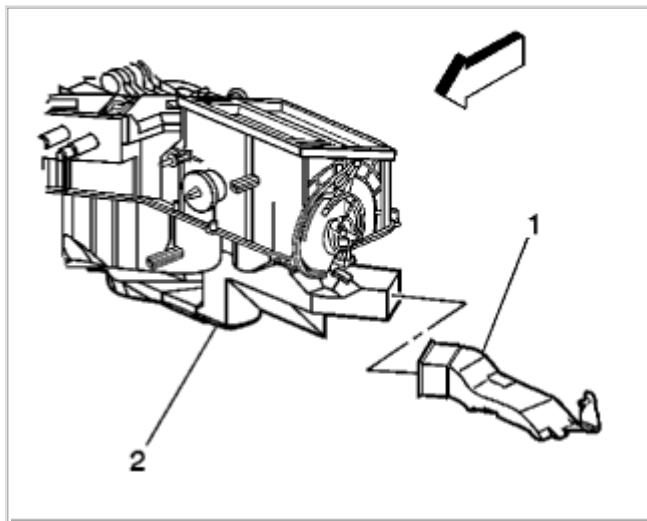
 [Conversion Calculator](#)**2004 Chevy Truck Silverado 2500 2WD V8-6.0L VIN U**[Vehicle Level](#) → [Heating and Air Conditioning](#) → [Air Door](#) → [Air Door Actuator / Motor](#) → [Service and Repair](#) → [HVAC System - Automatic](#) → [Mode Actuator\(Without RPO Code D07\)](#) ←

## Mode Actuator(Without RPO Code D07)

[Notes](#)

### MODE ACTUATOR REPLACEMENT (W/O D07)

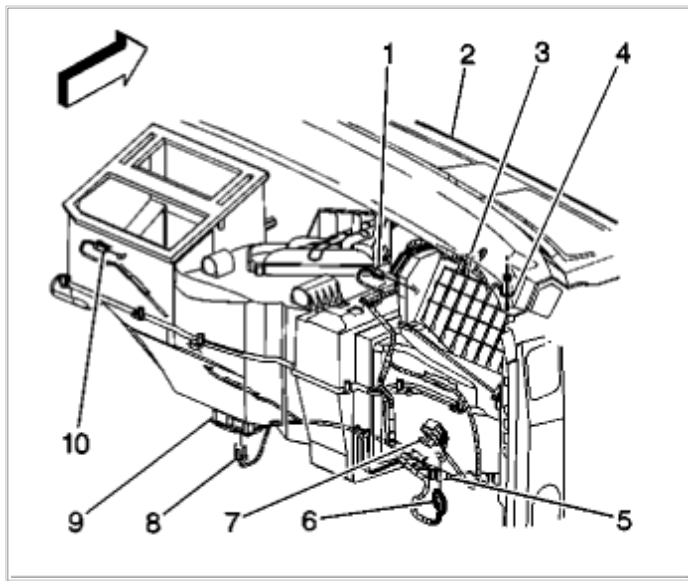
#### REMOVAL PROCEDURE



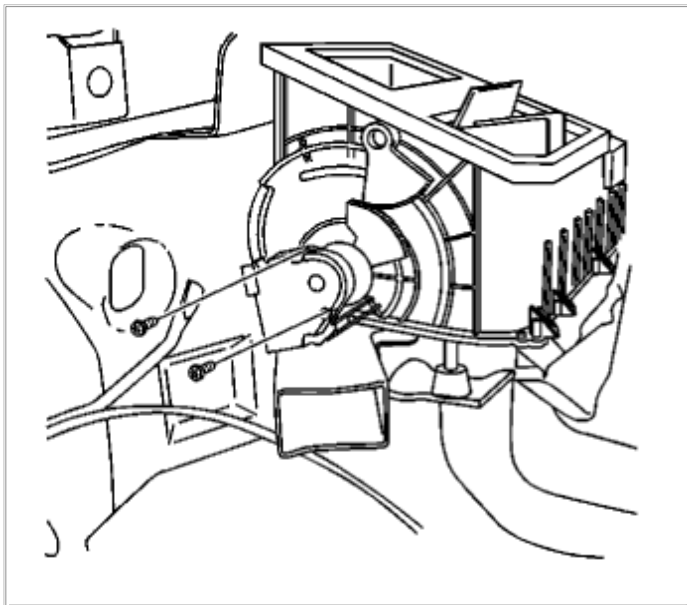
Zoom

Sized for Print

1. Remove the floor air outlet duct extension (1) from the floor duct (2).
2. Remove the Body Control Module.

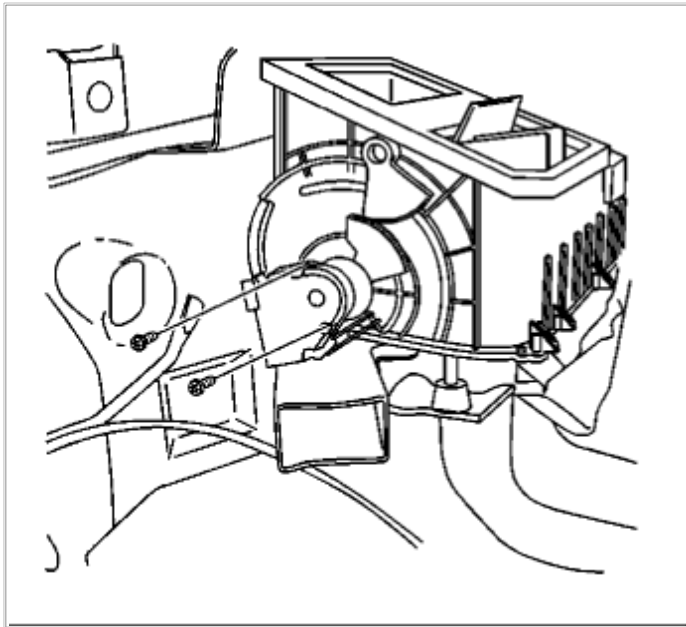
[Zoom](#)[Sized for Print](#)

3. Disconnect the electrical connection at the mode actuator (10).

[Zoom](#)[Sized for Print](#)

4. Remove the mode actuator mounting screws from the HVAC module.
5. Remove the mode actuator as an assembly with the actuator cam.

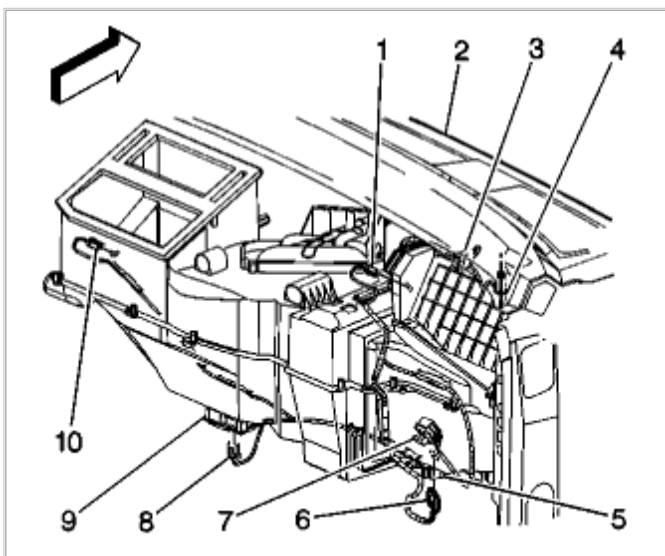
## INSTALLATION PROCEDURE

[Zoom](#)[Sized for Print](#)

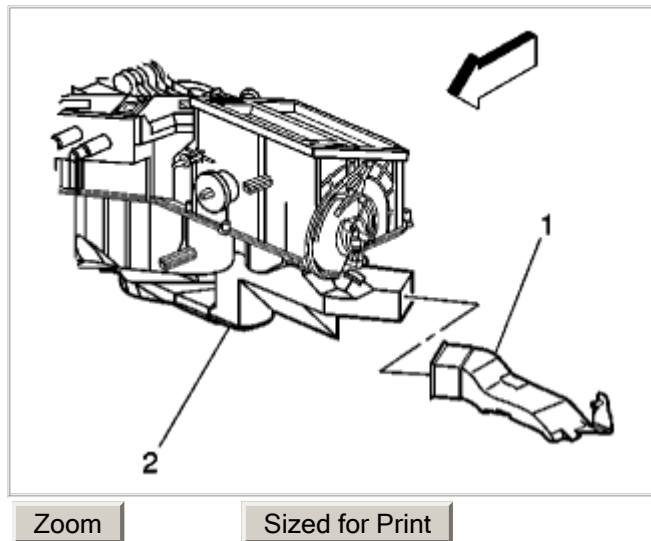
1. Install the mode actuator as an assembly with the actuator cam.
  - Line up the heater/defroster lever with the mode actuator cam slot.
  - Line up the A/C lever with the mode actuator cam.

**NOTE:** Refer to Fastener Notice in Service Precautions.

2. Install the mode actuator mounting screws to the HVAC module. **Tighten** Tighten the screws to **1.6 N.m (14 lb in)** .

[Zoom](#)[Sized for Print](#)

3. Connect the electrical connection at the mode actuator (10).



4. Install the Body Control Module.
5. Install the floor air outlet duct extension (1) to the floor [air duct](#) (2).

[Select Vehicle](#) | [New TSBs](#) | [Technician's Reference](#)

Component Search:

OK

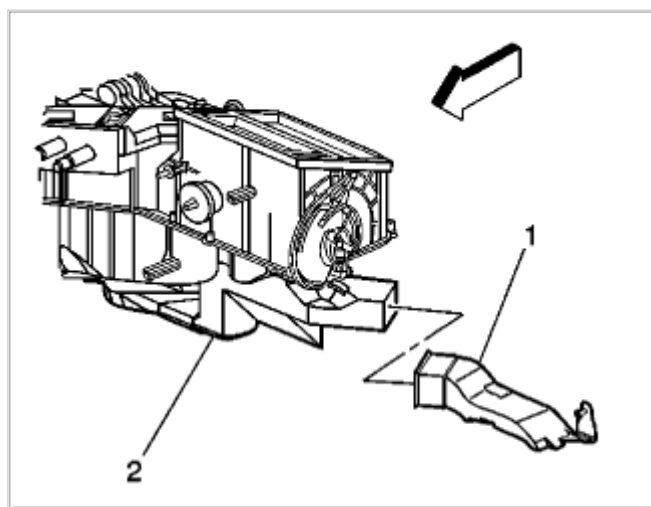
[Conversion Calculator](#)**2004 Chevy Truck Silverado 2500 2WD V8-6.0L VIN U**[Vehicle Level](#) → [Heating and Air Conditioning](#) → [Air Door](#) → [Air Door Actuator / Motor](#) → [Service and Repair](#) → [HVAC System - Automatic](#) → [Mode Actuator Replacement \(With RPO Code D07\)](#) ←

## Mode Actuator Replacement (With RPO Code D07)

[Notes](#)

### MODE ACTUATOR REPLACEMENT (W/ D07)

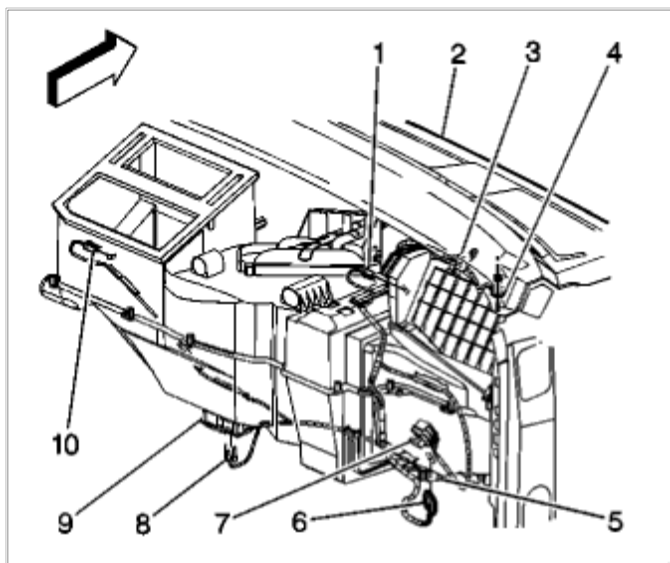
#### REMOVAL PROCEDURE



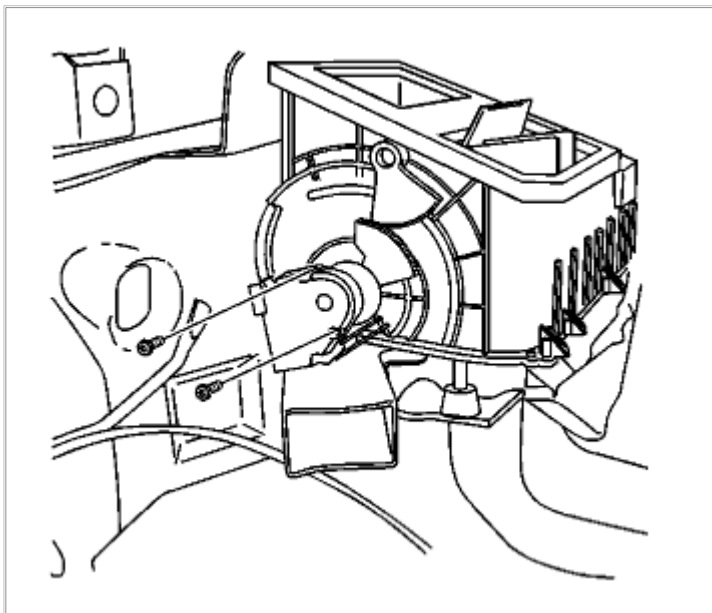
Zoom

Sized for Print

1. Remove the floor air outlet duct extension (1) from the floor duct (2).
2. Remove the center console.
3. Remove the screws from the center console duct.
4. Remove the center console duct.

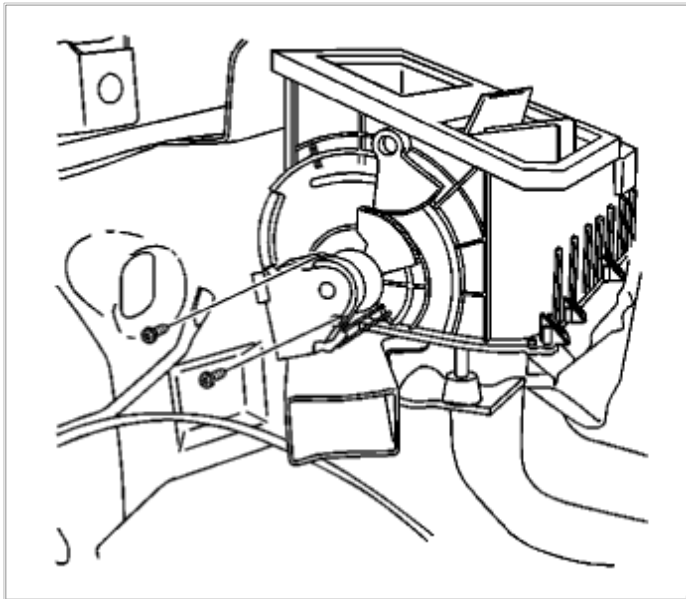
[Zoom](#)[Sized for Print](#)

5. Disconnect the electrical connection from the mode actuator (10).

[Zoom](#)[Sized for Print](#)

6. Remove the mode actuator mounting screws from the HVAC module.
7. Remove the mode actuator as an assembly with the actuator cam.

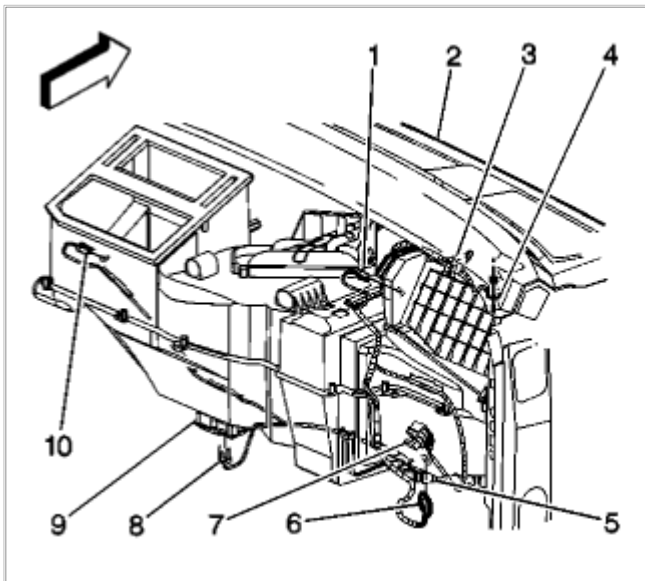
## INSTALLATION PROCEDURE

[Zoom](#)[Sized for Print](#)

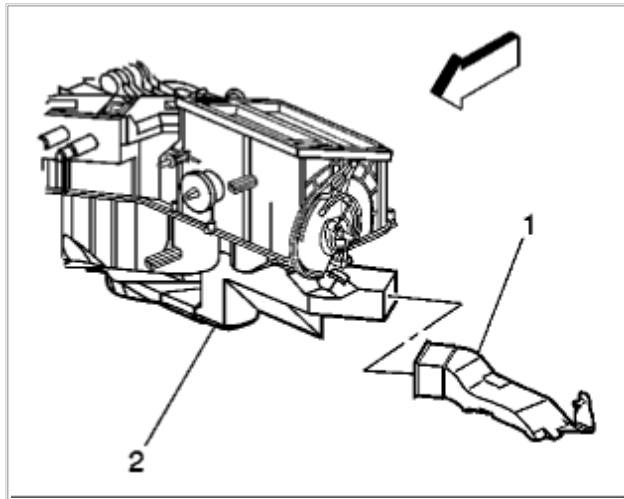
1. Install the mode actuator as an assembly with the actuator cam.
  - Line up the heater/defroster valve lever with the mode actuator cam slot.
  - Line up the A/C valve lever with the mode actuator cam.

**NOTE:** Refer to Fastener Notice in Service Precautions.

2. Install the mode actuator mounting screws to the HVAC module. **Tighten** Tighten the screws to **1.6 N.m (14 lb in)** .

[Zoom](#)[Sized for Print](#)

3. Connect the electrical connection at the mode actuator (10).

[Zoom](#)[Sized for Print](#)

4. Install the center console duct.
5. Install the screws to the center console duct. **Tighten** Tighten the screws to **1.6 N.m (14 lb in)** .
6. Install the center console.
7. Install the floor air outlet duct extension (1) to the floor [air duct](#) (2).

© 2008 ALldata LLC. All rights reserved.

[Terms of Use](#)

[Select Vehicle](#) | [New TSBs](#) | [Technician's Reference](#)

Component Search:

OK

[Conversion Calculator](#)**2004 Chevy Truck Silverado 2500 2WD V8-6.0L VIN U**[Vehicle Level](#) → [Heating and Air Conditioning](#) → [Air Door](#) → [Air Door Actuator / Motor](#) → [Service and Repair](#) → [HVAC System - Automatic](#) → [Recirculation Actuator](#) ←

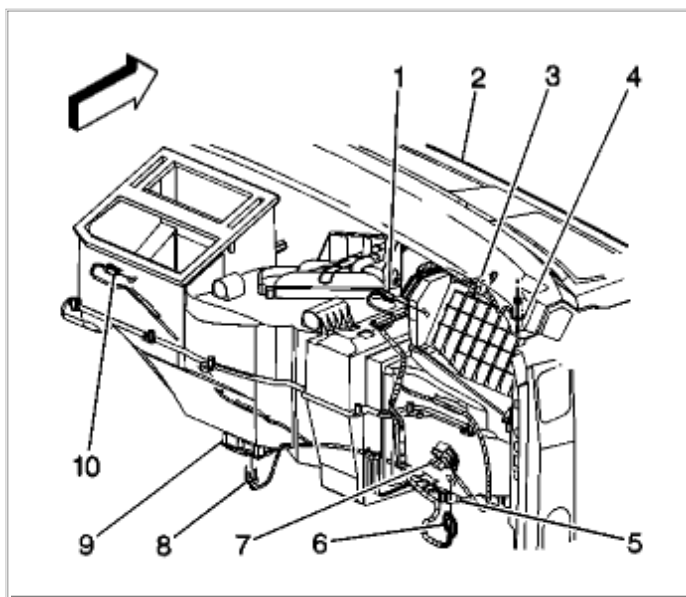
## Recirculation Actuator

[Notes](#)

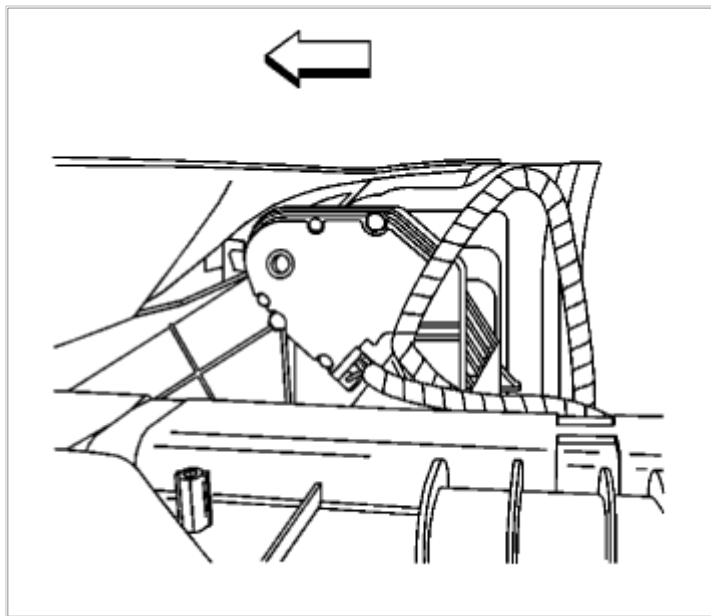
### RECIRCULATION ACTUATOR REPLACEMENT

#### REMOVAL PROCEDURE

1. Remove the air distribution duct.

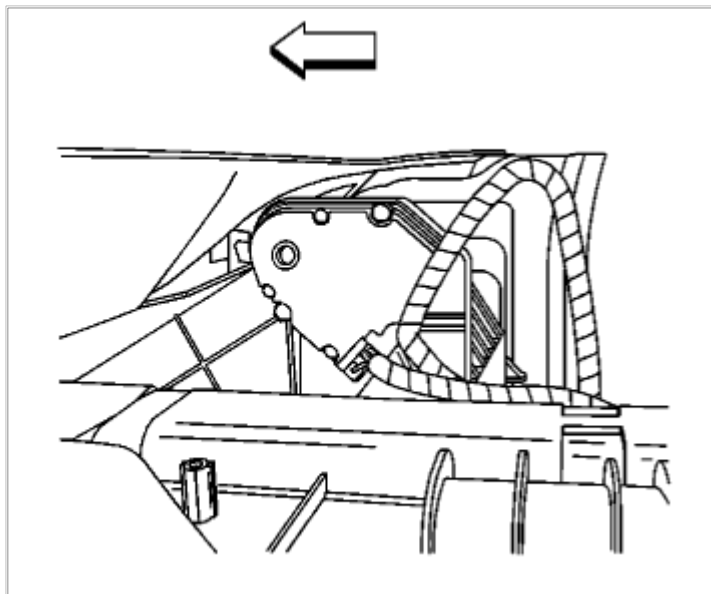
[Zoom](#)[Sized for Print](#)

2. Disconnect the electrical connection from the recirculation actuator (1).

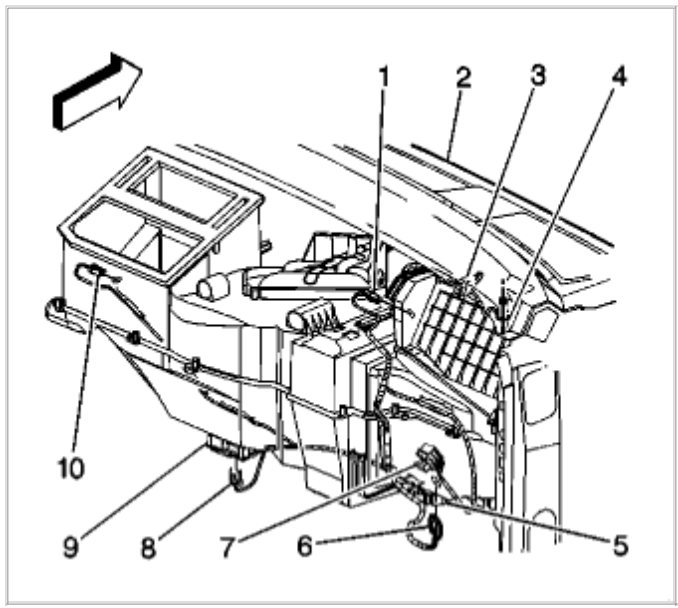
[Zoom](#)[Sized for Print](#)

3. Remove the recirculation actuator retaining screws.
4. Remove the recirculation actuator.

### INSTALLATION PROCEDURE

[Zoom](#)[Sized for Print](#)

1. Install the recirculation actuator. **NOTE:** Refer to Fastener Notice in Service Precautions.
2. Install the recirculation actuator retaining screws. **Tighten** Tighten the screws to **1.6 N.m (14 lb in)** .



Zoom

Sized for Print

- 3. Connect the electrical connector to the recirculation actuator (1).
- 4. Install the air distribution duct

© 2008 ALldata LLC. All rights reserved.  
[Terms of Use](#)

[Select Vehicle](#) | [New TSBs](#) | [Technician's Reference](#)

Component Search:

OK

 [Conversion Calculator](#)[2004 Chevy Truck Silverado 2500 2WD V8-6.0L VIN U](#)[Vehicle Level](#) → [Heating and Air Conditioning](#) → [Air Door](#) → [Air Door Actuator / Motor](#) → [Service and Repair](#) → [HVAC System - Manual](#) → [Air Temperature Actuator Replacement - Right](#) ←

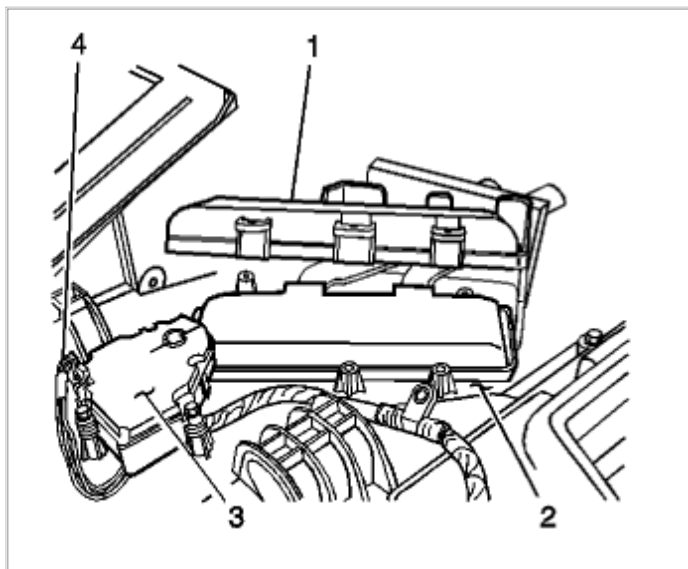
## Air Temperature Actuator Replacement - Right

[Notes](#)

### AIR TEMPERATURE ACTUATOR REPLACEMENT - RIGHT

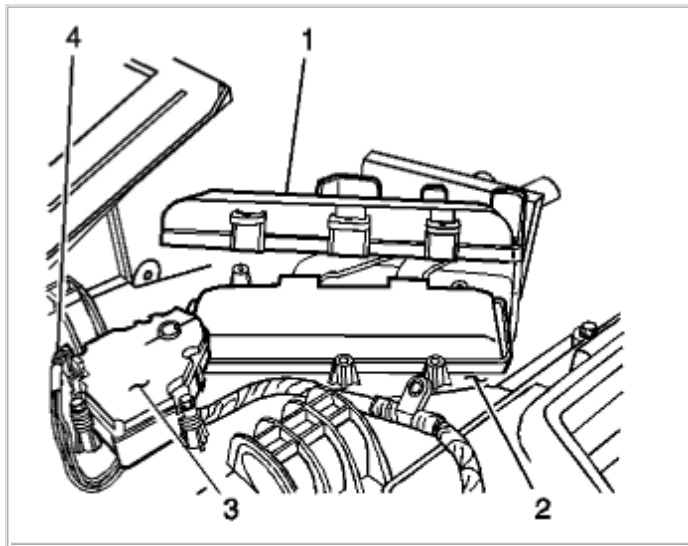
#### REMOVAL PROCEDURE

1. Remove the I/P carrier.

[Zoom](#)[Sized for Print](#)

2. Disconnect the electrical connector (4) from the right air temperature actuator (3).
3. Remove the screws from the right air temperature actuator (3).
4. Remove the right air temperature actuator (3) from the HVAC module assembly (2).

#### INSTALLATION PROCEDURE

[Zoom](#)[Sized for Print](#)

1. Install the right air temperature actuator (3) from the HVAC module assembly (2).  
**NOTE:** Refer to Fastener Notice in Service Precautions.
2. Install the screws to the right air temperature actuator (3). **Tighten** Tighten the screws to **2 N.m (18 lb in)** .
3. Connect the electrical connector to the right air temperature actuator.
4. Install the I/P carrier.
5. Reprogram the air temperature actuator. Refer to Re-Calibrating Actuators. [See: Testing and Inspection\Diagnostic Trouble Code Tests and Associated Procedures\Related Tests and Procedures](#)

[Select Vehicle](#) | [New TSBs](#) | [Technician's Reference](#)Component Search:   [Conversion Calculator](#)**2004 Chevy Truck Silverado 2500 2WD V8-6.0L VIN U**[Vehicle Level](#) → [Heating and Air Conditioning](#) → [Housing Assembly HVAC](#) → [Service and Repair](#) → [HVAC Module Assembly Replacement](#) ←

## HVAC Module Assembly Replacement

[Notes](#)

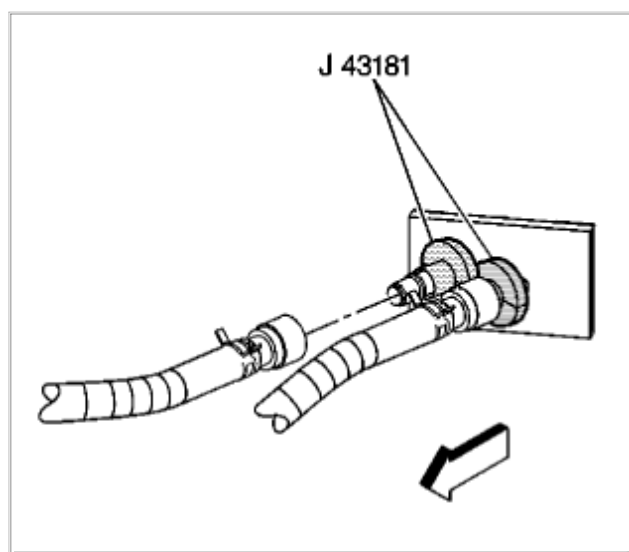
### HVAC MODULE ASSEMBLY REPLACEMENT

#### TOOLS REQUIRED

J 43181 Quick Connect Connector Removal Tool

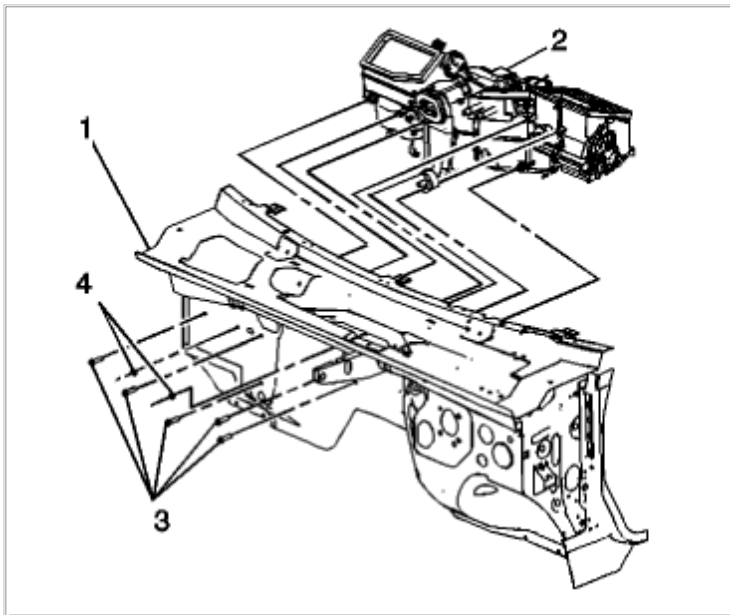
#### REMOVAL PROCEDURE

1. Drain the engine coolant. Refer to [Draining and Filling Cooling System \(with HP2\)](#) [Draining and Filling Cooling System \(without HP2\)](#) in [Cooling System](#).
2. If equipped remove the auxiliary battery.



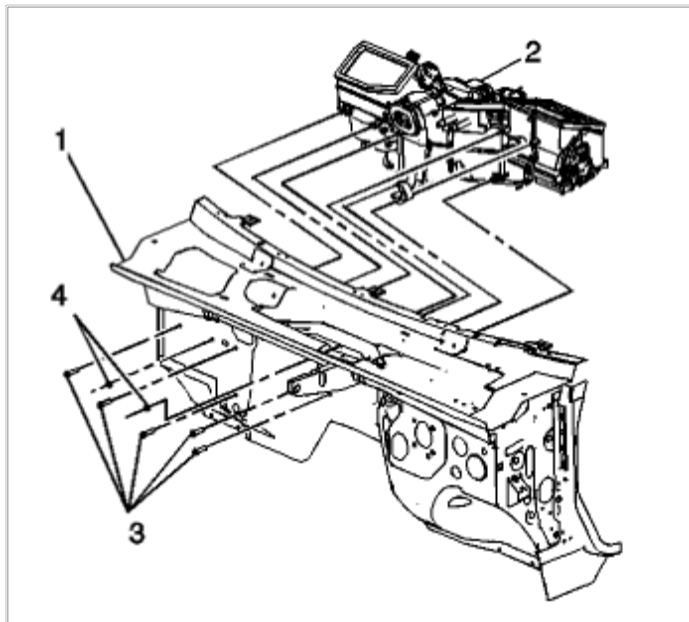
3. Using the J 43181 disconnect the inlet [heater hose](#) from the [heater core](#).
- 3.1. Install the J 43181 to the [heater core](#) pipe.
- 3.2. Close the tool around the [heater core](#) pipe.
- 3.3. Firmly pull the tool into the quick connect end of the [heater hose](#).

- 3.4. Firmly grasp the [heater hose](#). Pull the heater hose forward in order to disengage the inlet hose from the [heater core](#).
  
4. Using the J 43181 disconnect the surge tank outlet hose from the [heater core](#).
  
- 4.1. Install the J 43181 to the [heater core](#) pipe.
- 4.2. Close the tool around the [heater core](#) pipe.
- 4.3. Firmly pull the tool into the quick connect end of the [heater hose](#).
- 4.4. Firmly grasp the [heater hose](#). Pull the heater hose forward in order to disengage the surge tank outlet hose from the [heater core](#).
  
5. Remove the accumulator.
6. Remove the instrument panel carrier.
7. Remove the HVAC module drain hose.
8. Disconnect the electrical harnesses and the ground connections from the HVAC module.

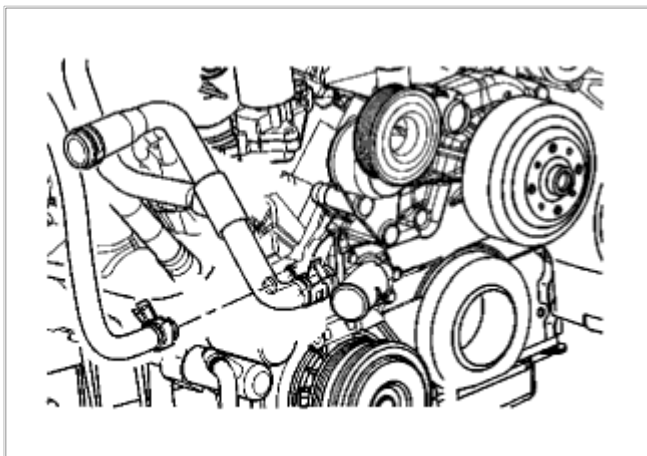
[Zoom](#)[Sized for Print](#)

9. Remove the nuts (4) from the HVAC module (2).
10. Remove the bolts (3) from the HVAC module (2).
11. Remove the HVAC module (2) from the vehicle (1).

## INSTALLATION PROCEDURE

[Zoom](#)[Sized for Print](#)

1. If replacing the HVAC module, transfer the components from the old HVAC module as necessary.
2. Install the HVAC module (2) to the vehicle (1). **NOTE:** Refer to Fastener Notice in Service Precautions.
3. Install the nuts (4) to the HVAC module (2). **Tighten** Tighten the nuts to **9 N.m (80 lb in)** .
4. Install the bolts (4) to the HVAC module (2). **Tighten** Tighten the bolts to **4 N.m (35 lb in)** .
5. Connect the electrical harnesses and the ground connections.
6. Install the HVAC module drain hose.
7. Install the instrument panel carrier.
8. Install the accumulator.

[Zoom](#)[Sized for Print](#)

9. Install the surge tank outlet hose to the [heater core](#). Firmly push the quick connect onto the [heater core](#) pipe until you hear an audible click.
10. Install the inlet [heater hose](#) to the [heater core](#). Firmly push the quick connect onto the heater core pipe until you hear an audible click.
11. Fill the cooling system. Refer to Draining and Filling Cooling System (with HP2)Draining and Filling Cooling System (without HP2) in Cooling System.

© 2008 ALldata LLC. All rights reserved.

[Terms of Use](#)

[Select Vehicle](#) | [New TSBs](#) | [Technician's Reference](#)

Component Search:

 [Conversion Calculator](#)

**2004 Chevy Truck Silverado 2500 2WD V8-6.0L VIN U**

[Vehicle Level](#) → [Heating and Air Conditioning](#) → [Housing Assembly HVAC](#) → [Labor Times](#) ←

### Labor Times

Labor	Skill Level	Mfg. Warranty	Standard	
<b>Housing Assembly HVAC</b>				
<b>Replace</b>				
Main System				
Air Inlet Case	B	0.0	5.0	<a href="#">Notes</a>
NOTE				
With Under Instrument Panel Trim, Add	B	0.0	0.2	<a href="#">Notes</a>
Auxiliary System	B	1.6	2.2	<a href="#">Notes</a>