

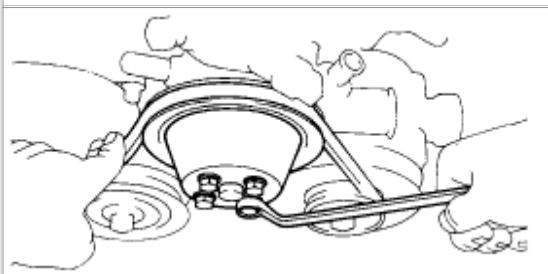
[Select Vehicle](#) | [New TSBs](#) | [Technician's Reference](#)Component Search:  [Conversion Calculator](#)**1984 Toyota Starlet L4-1290cc 4KE**[Vehicle Level](#) → [Engine, Cooling and Exhaust](#) → [Engine](#) → [Timing Chain](#) → [Service and Repair](#) ←

Service and Repair

[Notes](#)

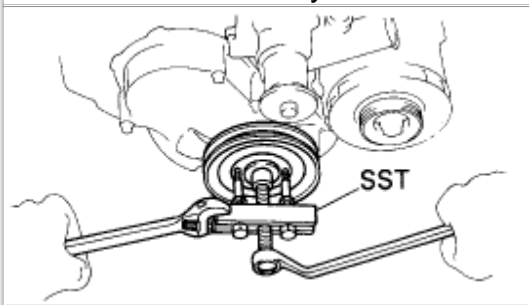
REMOVAL

Drive Belt And Water Pump Pulley Removal



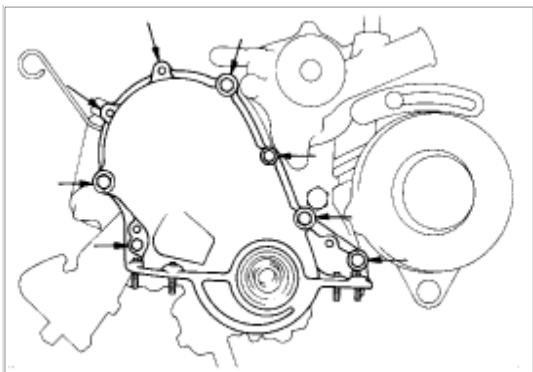
1. Loosen the [water pump](#) pulley set bolts.
2. Remove the [drive belt](#) adjusting bolt, and remove the drive belt.
3. Remove the [water pump](#) pulley from the water pump.

Crankshaft Pulley Removal



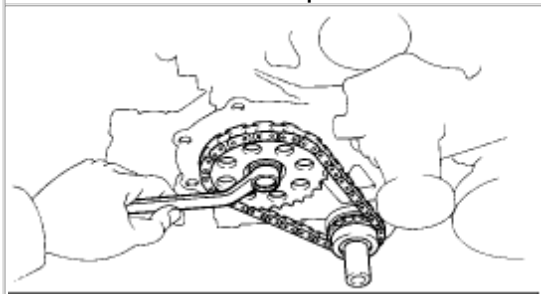
4. Remove the crankshaft pulley set bolt.
5. Using SST (09213-31021), remove the crankshaft pulley.

Timing Chain Cover Removal

[Zoom](#)[Sized for Print](#)

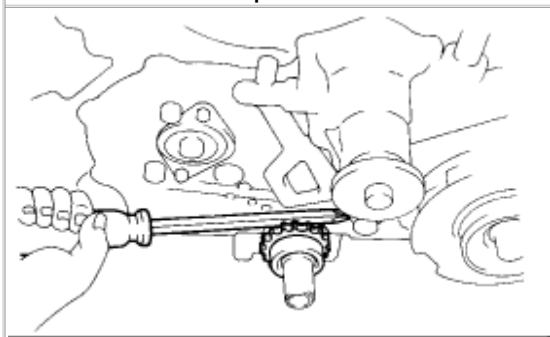
6. Remove the timing chain cover bolts and nuts as shown in the figure.
7. Using a plastic faced hammer, loosen the timing chain cover and remove it.
8. Remove [timing chain tensioner](#) and vibration damper.
9. Remove the camshaft sprocket set bolt.

Removing Timing Chain And Camshaft Sprocket

[Zoom](#)[Sized for Print](#)

10. Remove the timing chain and camshaft sprocket together.

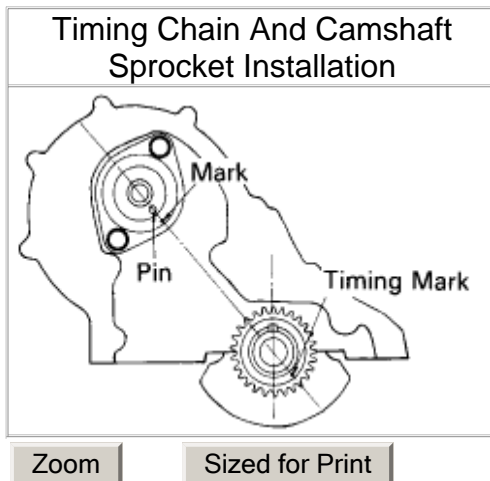
Crankshaft Sprocket Removal

[Zoom](#)[Sized for Print](#)

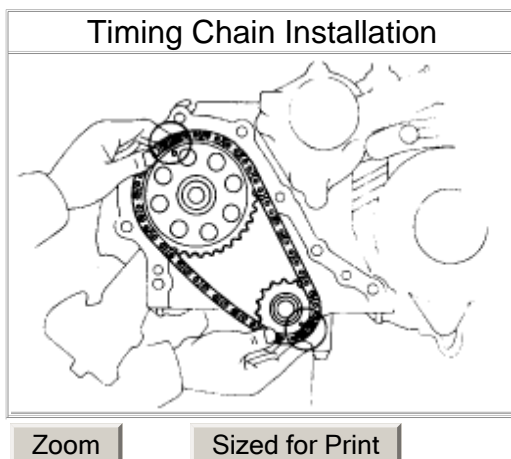
11. Remove the crankshaft sprocket using a screwdriver. If the crankshaft sprocket can not be removed with a screwdriver, use SST (09213-36020).

INSTALLATION

1. Install crankshaft sprocket.

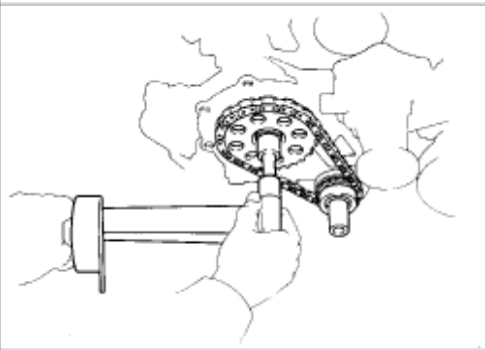


2. Set the No. 1 position to TDC.
3. Align the [camshaft](#) dowel pin with the mark on the thrust plate.
4. Install the camshaft sprocket to the timing chain. **NOTE:** Align the timing chain and camshaft sprocket timing marks.



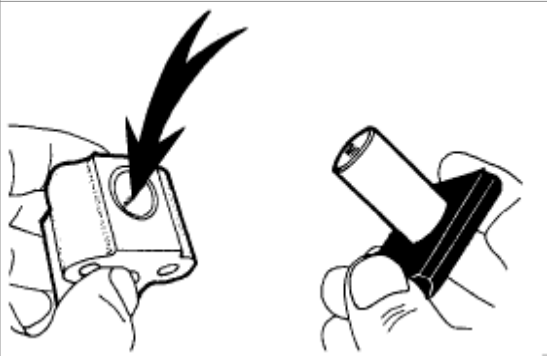
5. Install the timing chain to the crankshaft sprocket. **NOTE:** Align the timing chain and crankshaft sprocket timing marks.
6. Install the camshaft sprocket with the timing chain.

Installing Camshaft Sprocket Set Bolt

[Zoom](#)[Sized for Print](#)

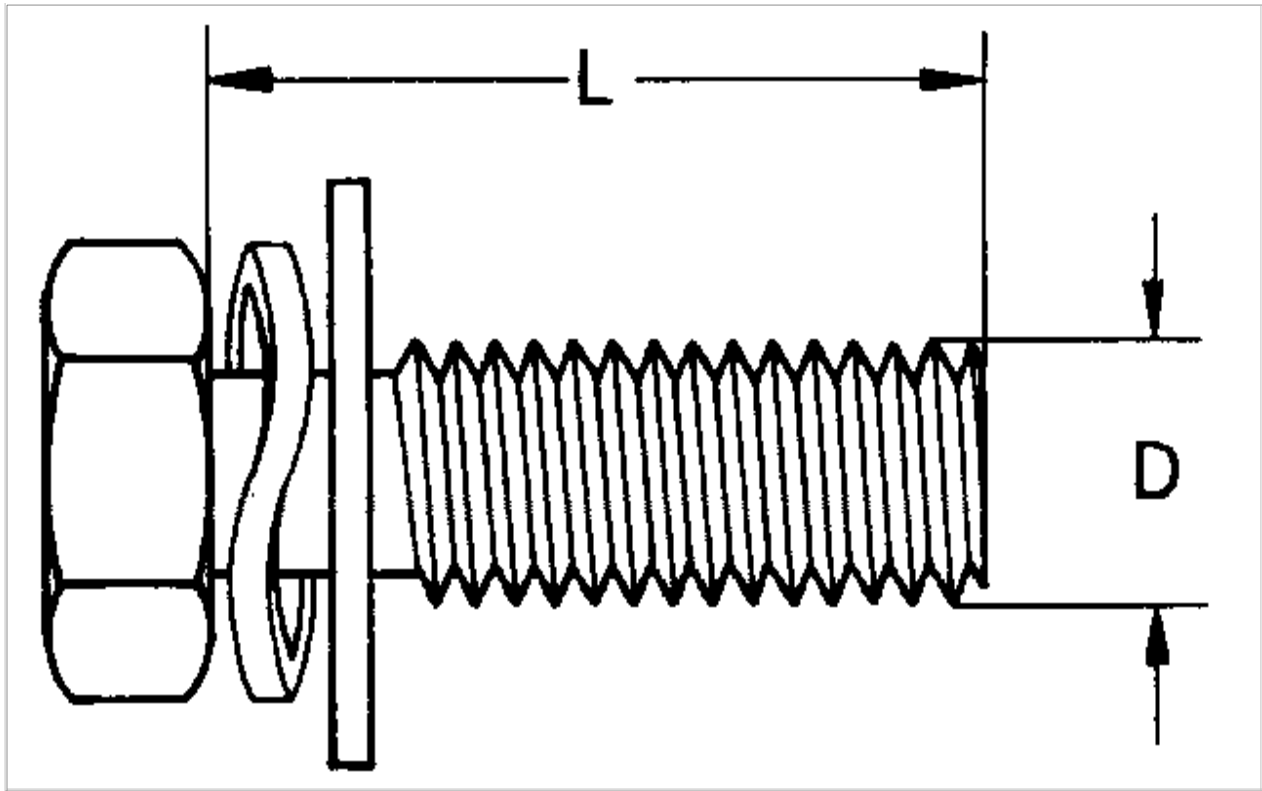
7. Install and torque the camshaft sprocket set bolt. Torque: **54-63.5 Nm (40-47 ft.lb)**

Chain Tensioner And Vibration Damper Installation

[Zoom](#)[Sized for Print](#)

8. Install chain tensioner and vibration damper. **NOTE:** Apply the tensioner with oil before installation.
9. Install timing chain cover

Bolt Identification



Zoom

Sized for Print

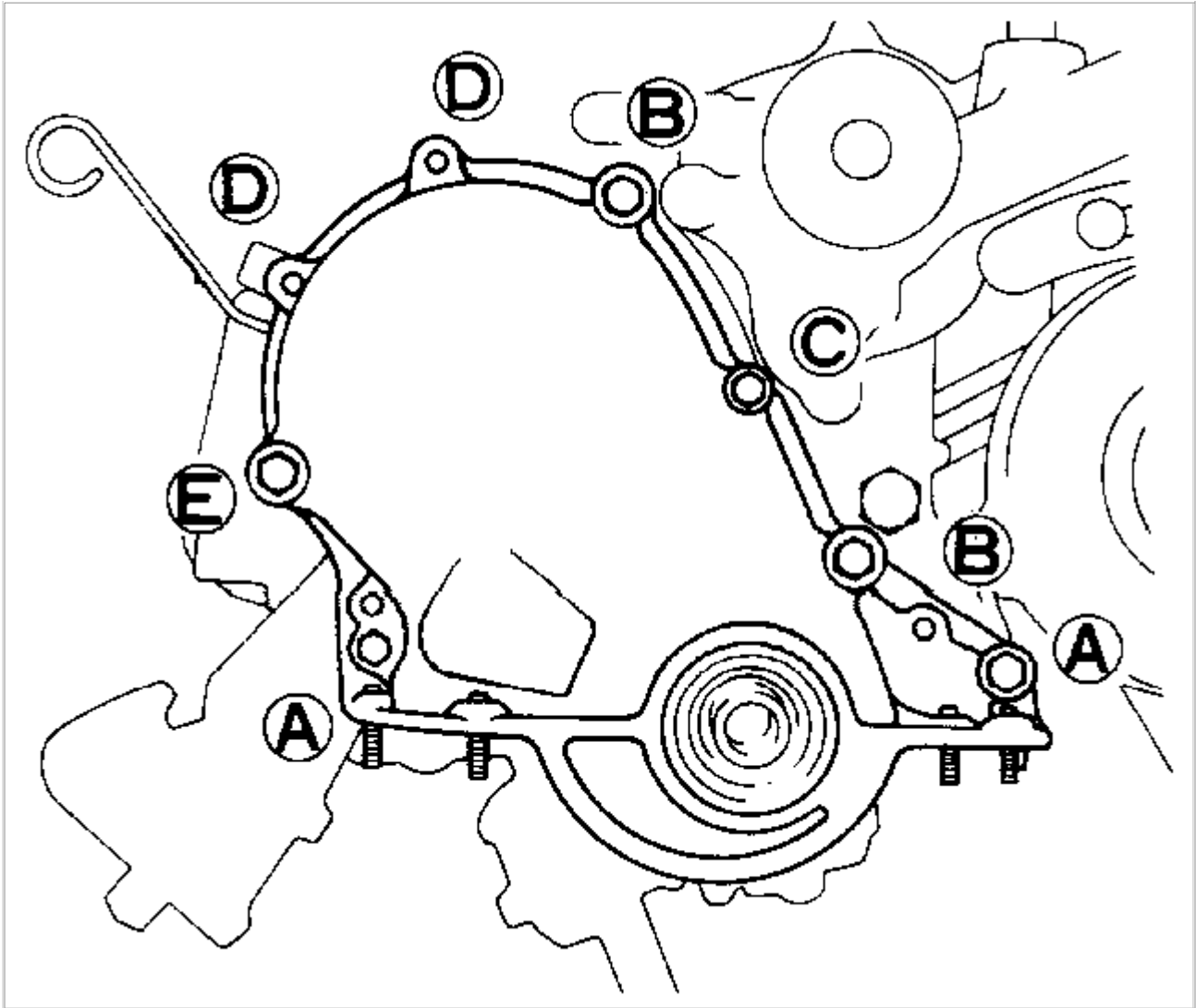
Bolt Identification / Usage Chart

Location	Size	
	Length (L)	Diameter (D)
A	28 (1.10)	8 (0.31)
B	55 (2.17)	8 (0.31)
C	55 (2.17)	6 (0.24)
D	20 (0.79)	8 (0.31)
E	55 (2.17)	8 (0.31)

Zoom

Sized for Print

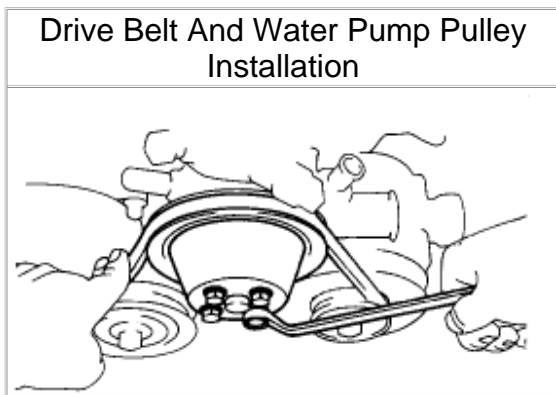
Timing Chain Cover Installation And Bolt Usage



Zoom

Sized for Print

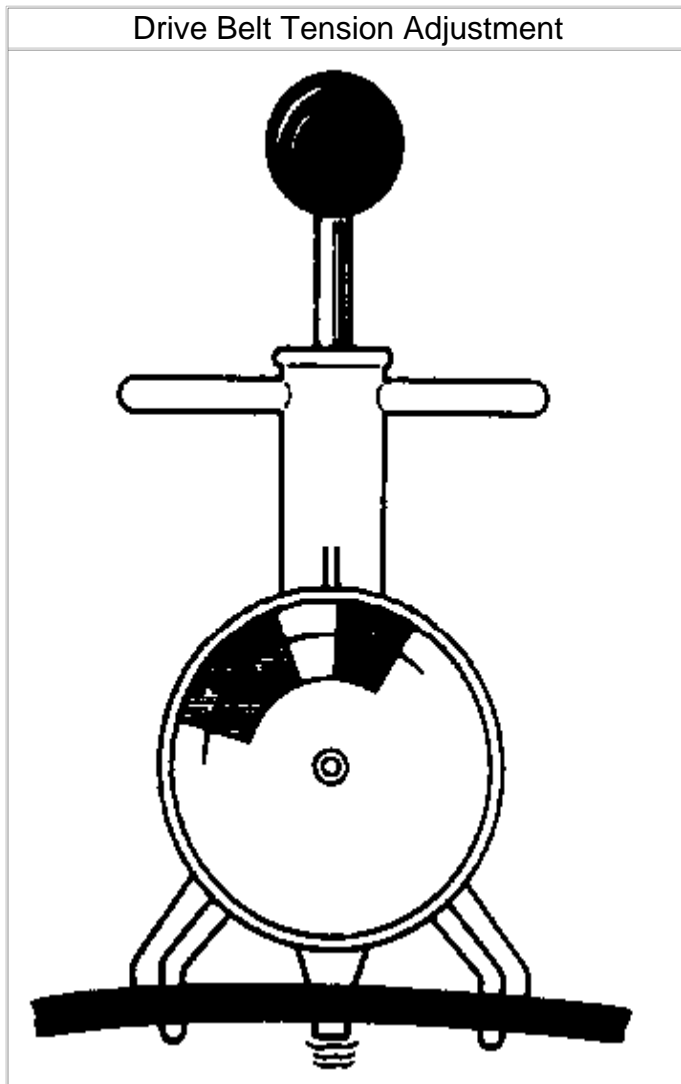
10. Install the proper bolts in the correct locations. Refer to image.



Zoom

Sized for Print

11. Install [water pump](#) pulley and [drive belt](#). Place the drive belt on the water pump pulley and install the water pump pulley with the four bolts. **NOTE:** If there are cracks, oiliness or wear, replace the belt.

[Zoom](#)[Sized for Print](#)

12. Adjust [drive belt](#) tension.

[Drive Belt](#) Tension: **New Belt 125 ±25 lb**

Used Belt 80 ±25 lb

NOTE: Using Borroughs belt tension gauge No. BT-33-73 F)

© 2008 ALLDATA LLC. All rights reserved.

[Terms of Use](#)