

[Select Vehicle](#) | [New TSBs](#) | [Technician's Reference](#)

Component Search:

OK

**1982 Mercedes Benz 380SEL (126 Chassis) V8-3839cc 3.8L SOHC (116)**
[Vehicle Level](#) → [Powertrain Management](#) → [Computers and Control Systems](#) → [Testing and Inspection](#) → [Component Tests and General Diagnostics](#) → [Ignition System Test](#) ←

## Ignition System Test

[Notes](#)

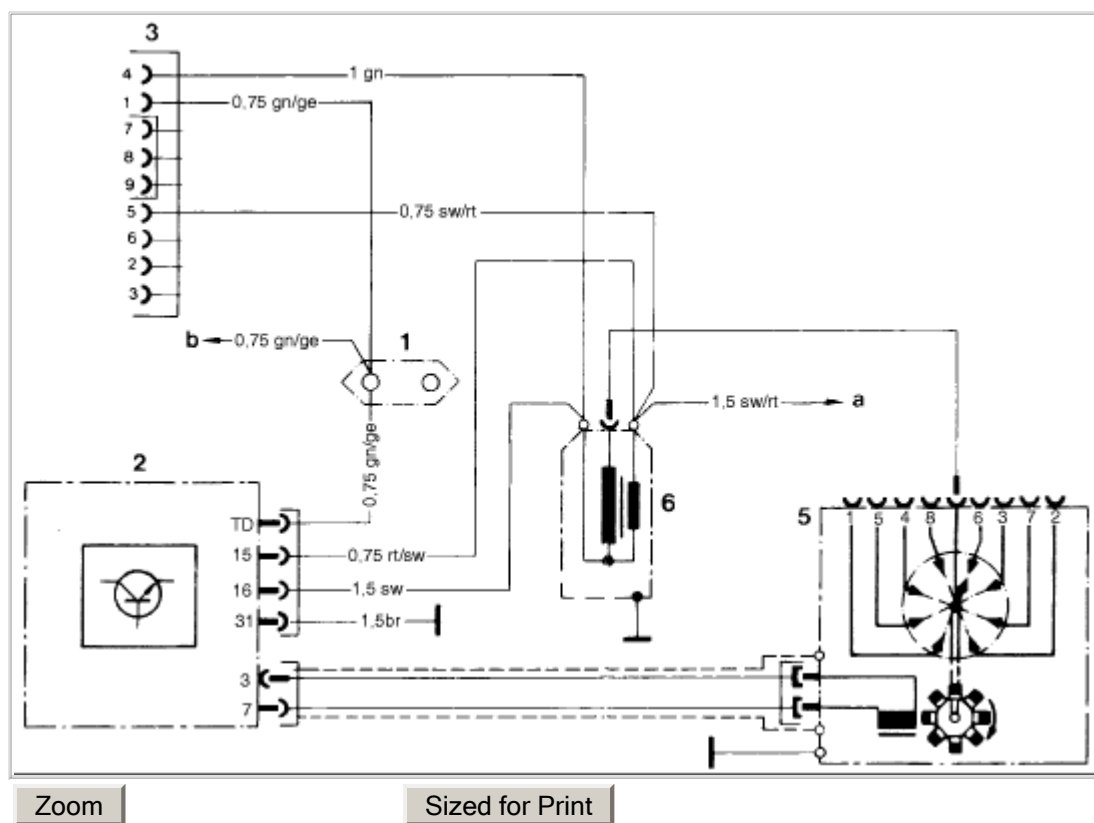
Test Values			
Battery voltage (ignition turned on)		approx. 12 V	
Cranking voltage		approx. 10 V	
Ignition system voltages	terminal 15 to ground (terminal 5 at diagnostic socket)	battery voltage	
	between terminal 15 and 1 (terminal 5 and 4 at diagnostic socket)	0 V	
	4-pole round plug on ignition switching unit	between terminal 15 and 31	battery voltage
		between terminal 16 and 31	battery voltage
Resistance of ignition coil	primary winding (terminal 15 to 1)	0.3–0.6 Ohms	
	secondary winding (terminal 1 to 4)	6–15 k Ohms	
Transmitter resistance	terminal 7 to 3	600 ± 100 Ohms	
	terminal 7 to ground terminal 3 to ground	200 k Ohms–∞	
Dwell angle at terminal TD at cranking speed		5–23°	

Zoom

Sized for Print

### Conventional Tools

- Digital multimeter (volt-ohm-ammeter) - e.g. Sun Electric DMM-5
- Dwell angle meter - e.g. Sun Electric



Zoom

Sized for Print

## Wiring Diagram

Wiring diagram breakerless transistorized ignition without series resistors:

1. Line connector
2. Switching unit
3. [Diagnostic socket](#)
5. [Ignition distributor](#)
6. [Ignition coil](#)

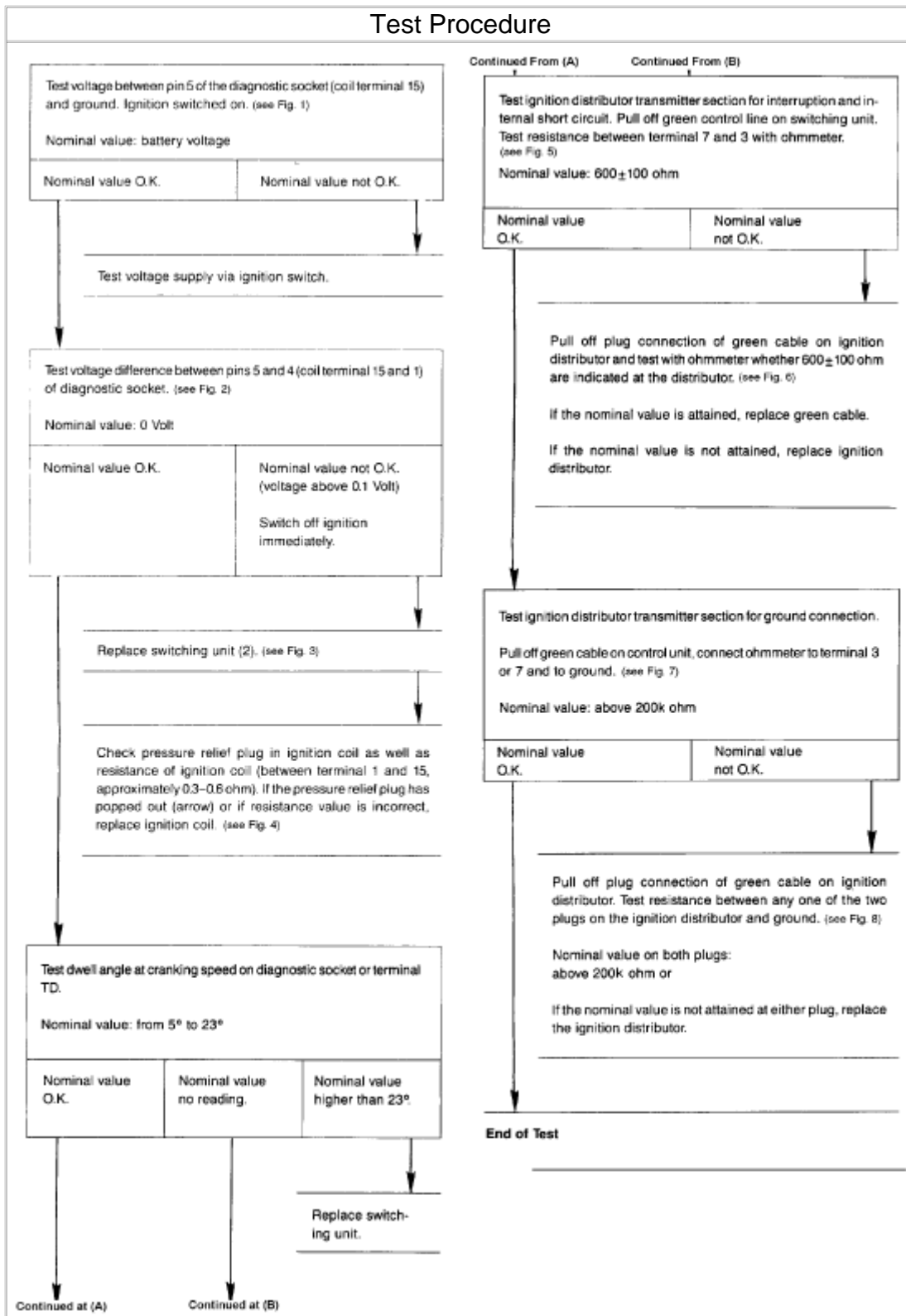
a) to fuse box, input terminal 15

b) to [fuel pump relay](#) with speed limitation

## Color Code

- br = brown  
 ge = yellow  
 gn = green  
 rt = red

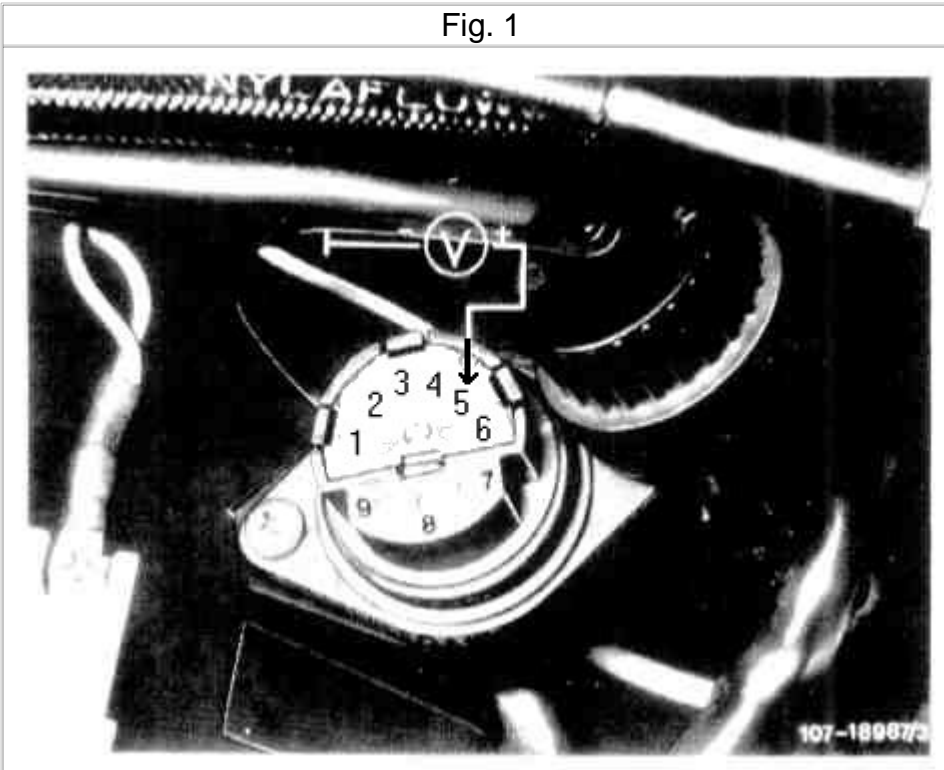
sw = black



Zoom

Sized for Print

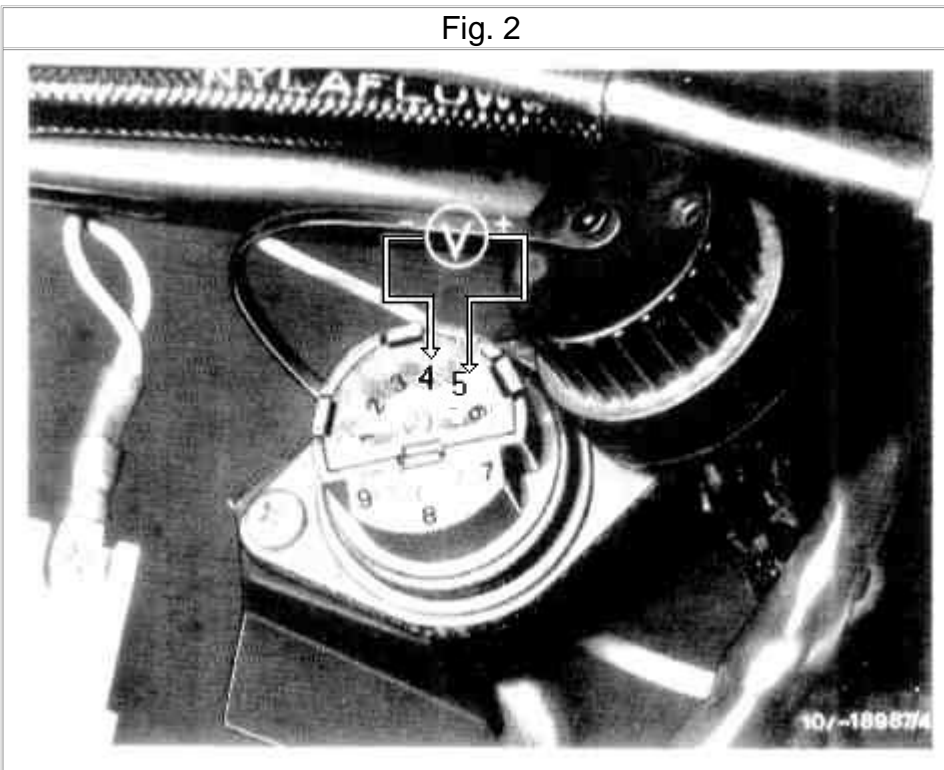
Fig. 1



Zoom

Sized for Print

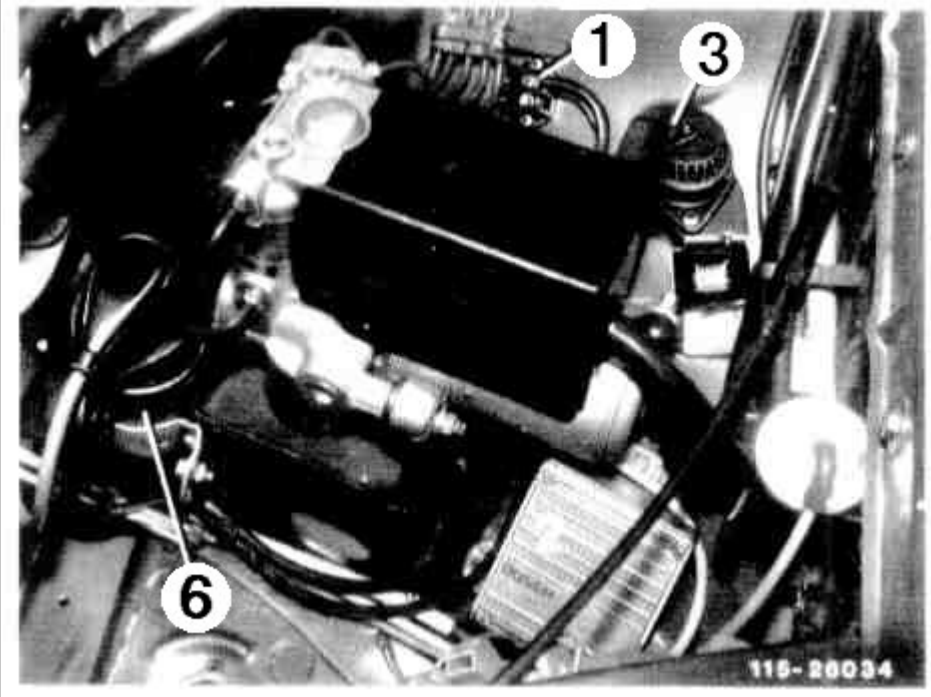
Fig. 2



Zoom

Sized for Print

Fig. 3



Zoom

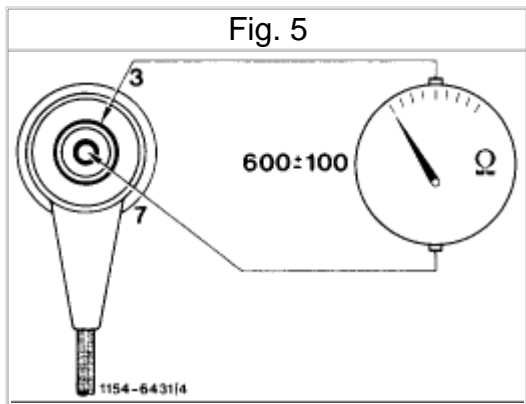
Sized for Print

Fig. 4



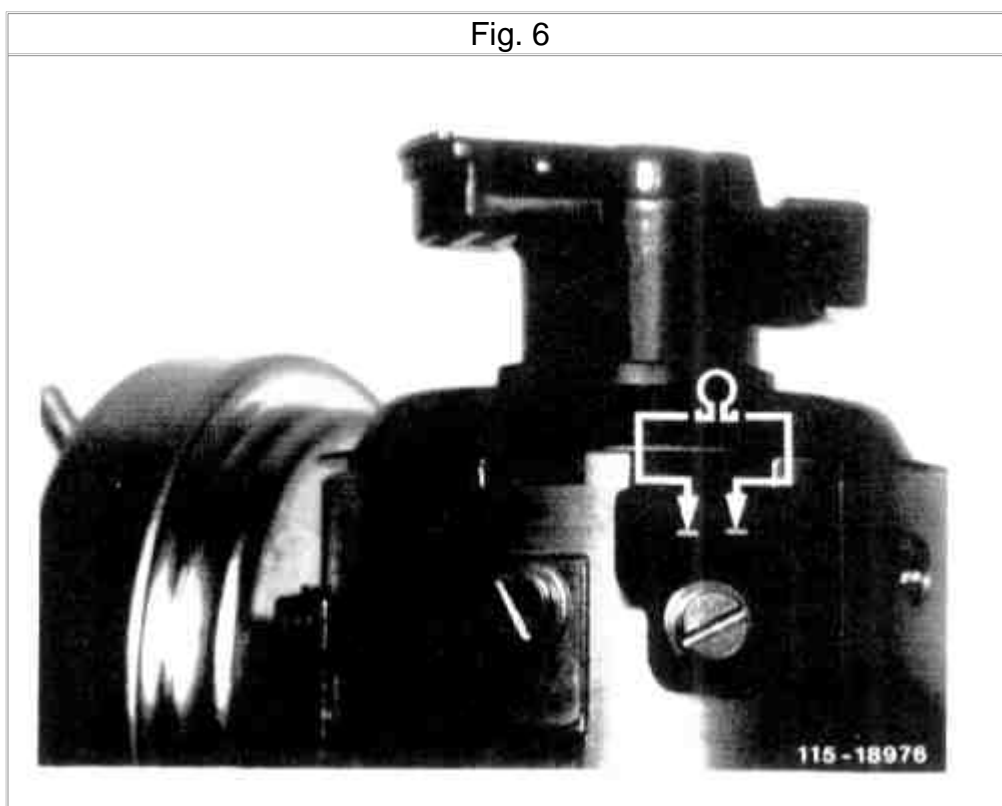
Zoom

Sized for Print



Zoom

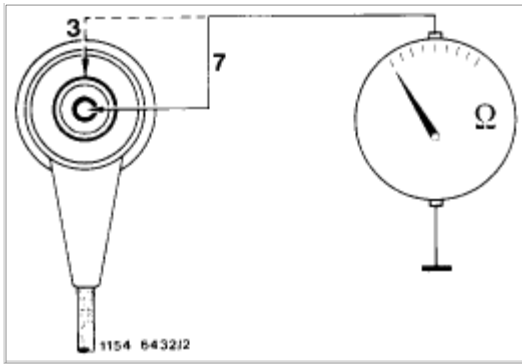
Sized for Print



Zoom

Sized for Print

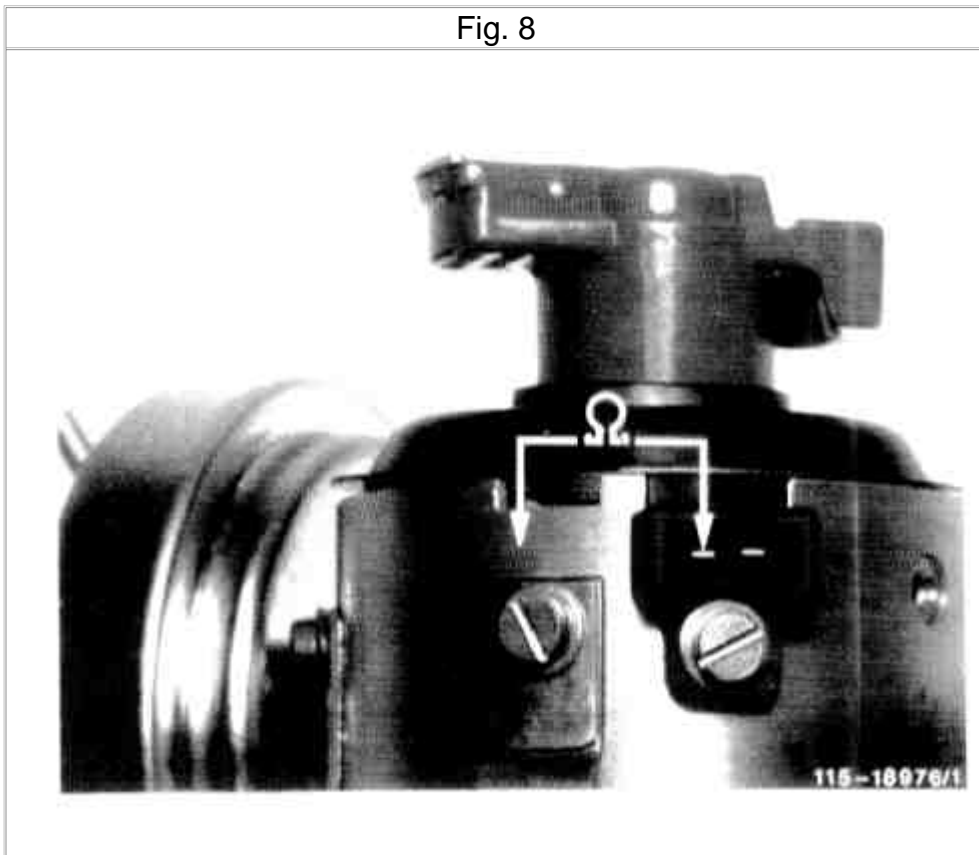
Fig. 7



Zoom

Sized for Print

Fig. 8



Zoom

Sized for Print