



[Home](#) | [Account](#) | [Contact ALLDATA](#) | [Log Out](#) | [Help](#)

METRO TOYOTA

[Select Vehicle](#) | [New TSBs](#) | [Technician's Reference](#)

Component Search:

 [Conversion Calculator](#)

**1989 Volvo 760 V6-2849cc 2.8L SOHC B280F**

[Vehicle Level](#) → [Powertrain Management](#) → [Diagrams](#) → [Electrical Diagrams](#) → [Fuel Injection System](#) ←

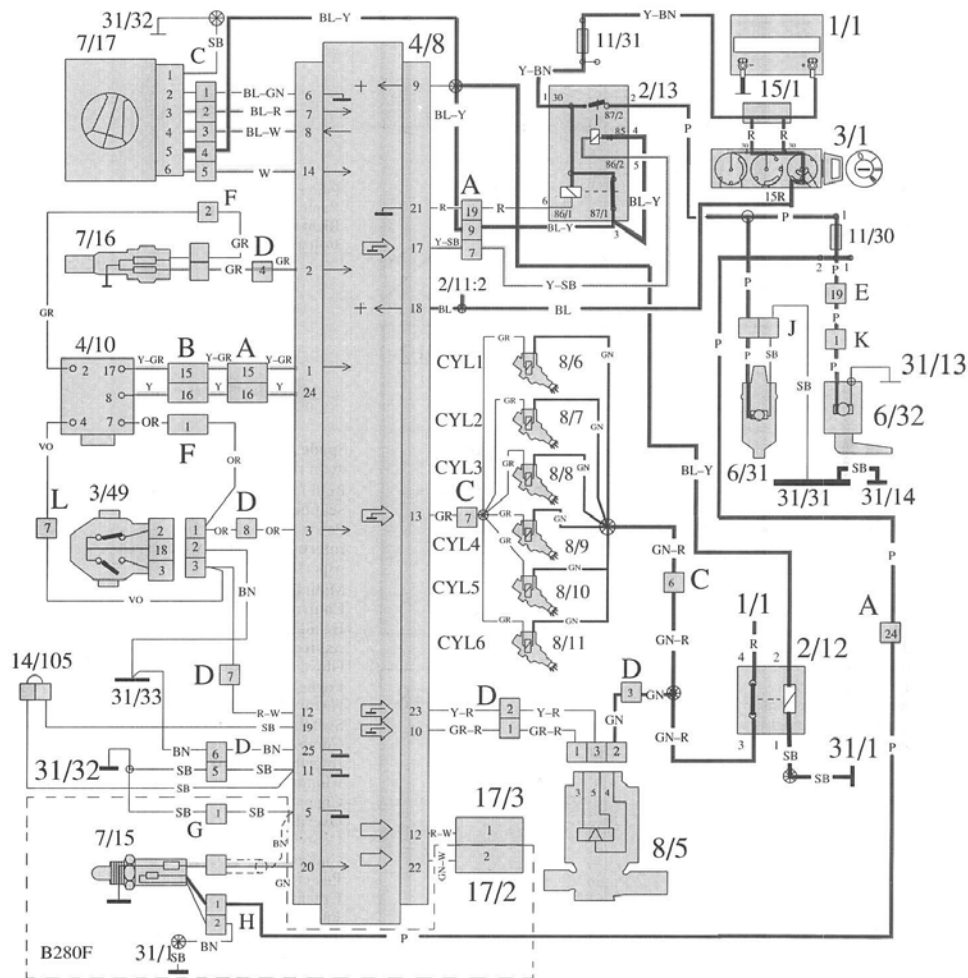
## Fuel Injection System

[Notes](#)

[Wiring Diagrams](#)

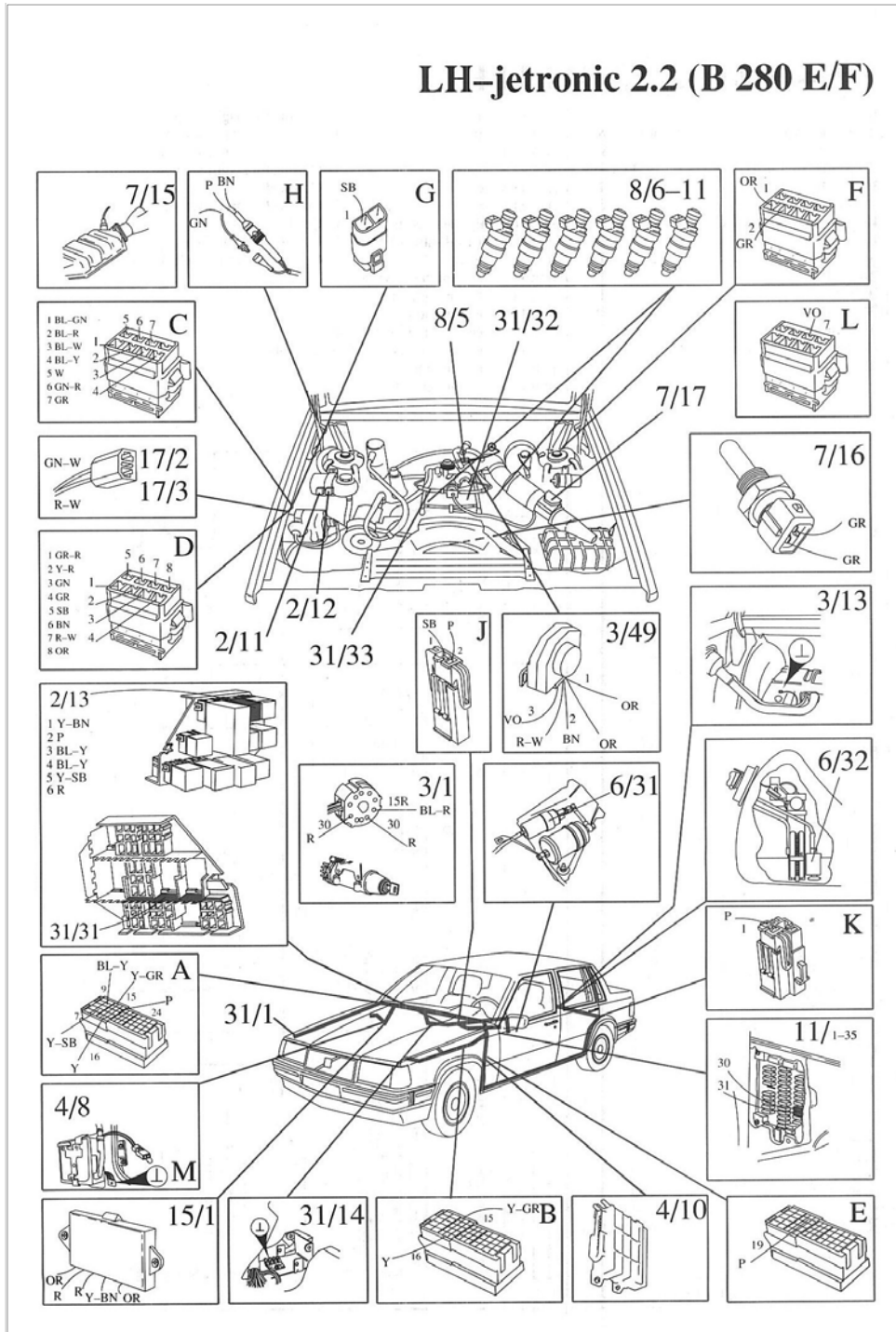
## LH-jetronic 2.2 (B 280 E/F)

1/1 Battery	8/5 Air control valve	A Connector, right A-post
2/11 Relay, electric fan, radiator	8/6-11 Fuel injectors	B Connector, left A-post
2/12 Relay, radio interference suppression at fuel injectors	11/1-35 Fuses	C Connector, right suspension tower
2/13 Relay, fuel injection	14/105 Bridge connector	D Connector, right suspension tower
3/1 Ignition switch	15/1 Positive terminal	E Connector, left A-post
3/49 Throttle switch	17/2 Test socket - Lambdasond	F Connector, left suspension tower
4/8 Control unit, LH-jetronic	17/3 Test socket - idle	G Connector, right suspension tower
4/10 Control unit, ignition system	31/1 Ground connection, right wing	H Connector, bulkhead
6/31 Fuel pump	31/13 Ground connection, boot	J Connector, electrical distribution unit
6/32 Tank pump	31/14 Ground connection, main relay console	L Connector, left suspension tower
7/15 Lambdasond (only B280F)	31/32 Ground connection, engine	K Connector, boot
7/16 Temperature sensor	31/33 Ground connection, engine	
7/17 Air mass meter		


[Zoom](#)
[Sized for Print](#)

Component / Connector Locations

## LH-jetronic 2.2 (B 280 E/F)



Zoom

Sized for Print

### LEGEND

**1/1** Battery

**2/11** Relay, electric fan, radiator

**2/12** Relay, radio interference suppression at fuel injectors

**3/49** Throttle switch

**2/13** Relay, fuel injection

**3/1** [Ignition switch](#)

**4/8 Control unit, LH-jetronic****6/32 Tank pump****7/15 Lambdasond (only B280F)****7/16 Temperature sensor****14/105 Bridge connector****15/1 Positive terminal****17/3 Test socket - idle****31/1 Ground connection, right wing****31/33 Ground connection, engine**4/10 Control unit, [ignition system](#)**6/31** [Fuel pump](#)**7/17** Air mass meter**8/5** Air control valve

8/6-11 Fuel injectors

11/1-35 Fuses

17/2 Test socket - Lambdasond

**31/13** Ground connection, boot

31/14 Ground connection, main relay console

31/32 Ground connection, engine