

[Select Vehicle](#) | [New TSBs](#) | [Technician's Reference](#)

Component Search:

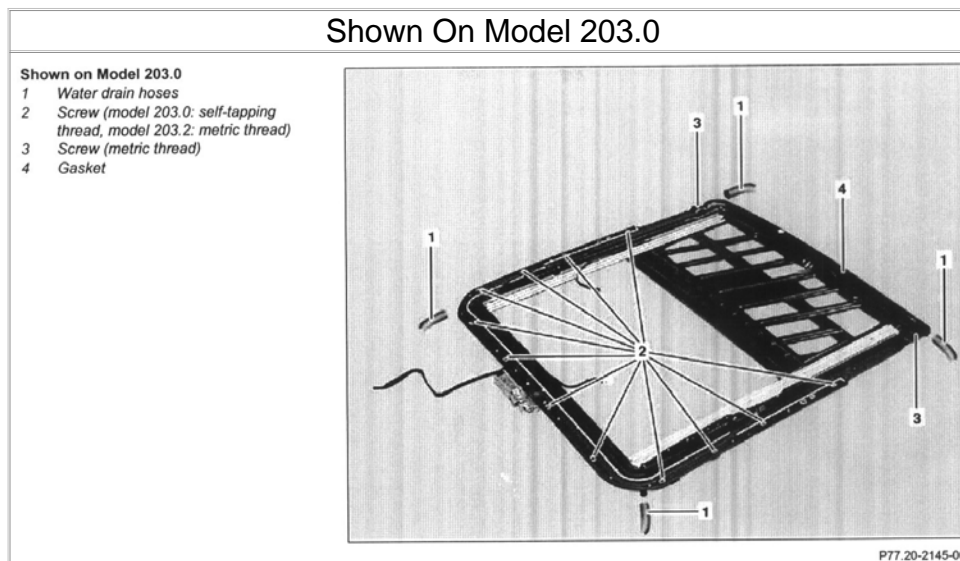
OK


[Conversion Calculator](#)
2004 Mercedes Benz C 230 (203.040) L4-1.8L SC (271.948)
[Vehicle Level](#) → [Body and Frame](#) → [Roof and Associated Components](#) → [Sunroof / Moonroof](#) → [Service and Repair](#)

Service and Repair

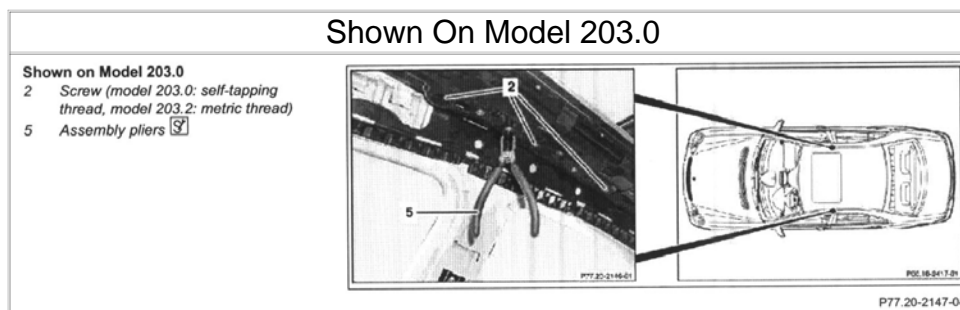
[Notes](#)

Removing And Installing Sliding/Tilting Roof



Zoom

Sized for Print



Zoom

Sized for Print

- 1 Remove paneling from sliding/pop-up roof
- 2 Remove sliding/pop-up roof cover

- 3 Remove [headliner](#)
- 4 Pull off water drain hoses (1)

CAUTION: Installation: Do not bend water drain hoses.

- 5 Insert assembly pliers (5) on both sides

See "**Special Tool**" given below.

- 6 Unscrew screws (2 and 3)

NOTE: Installation: Do not mix up screws (2, 3).

Screw on sliding/pop-up roof [frame](#) - **8 N.m**

- 7 Pry out tilting/sliding roof frame with help of second mechanic

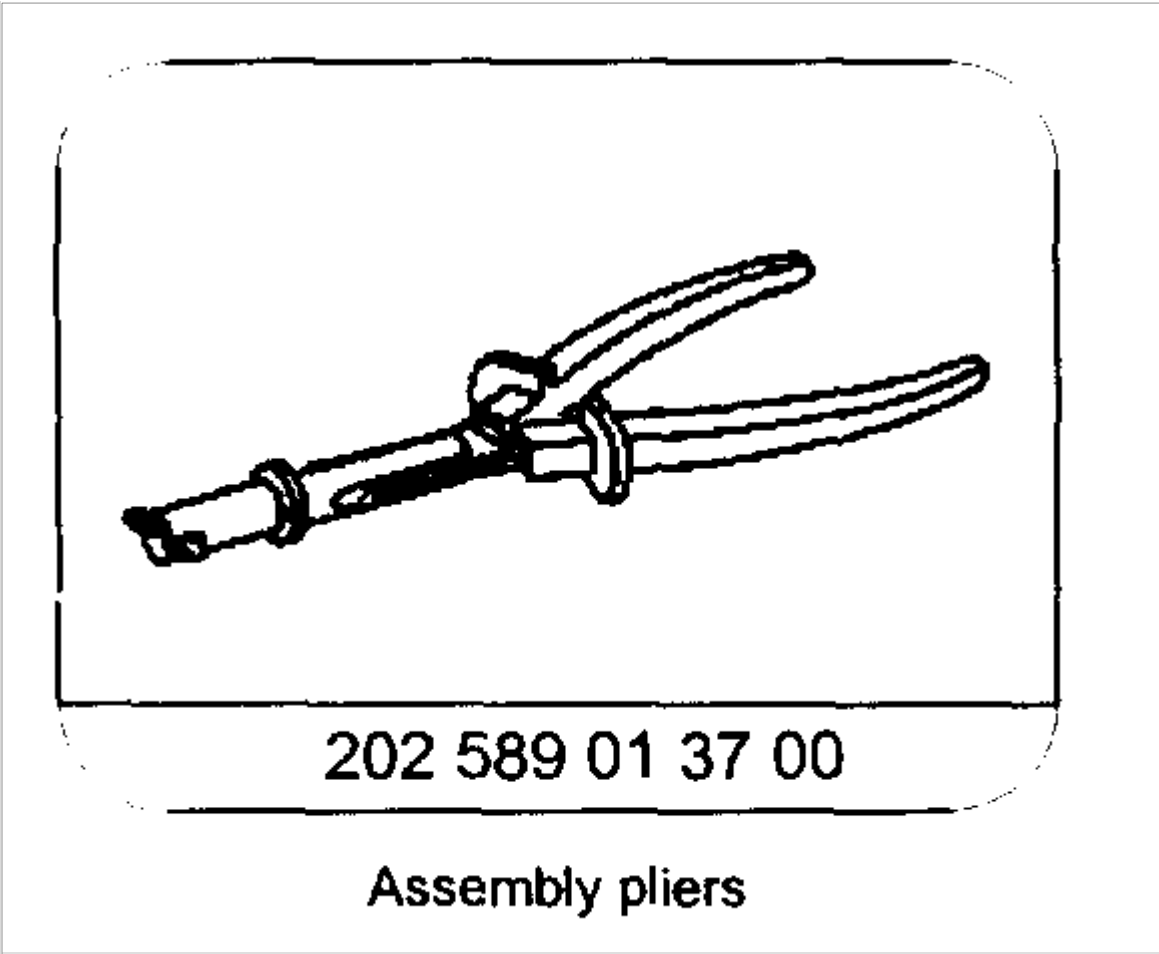
NOTE:

- When replacing sliding/tilting roof [frame](#), replace gasket (4).
- At the same time, remove assembly pliers.

- 8 Install in the reverse order

Special Tool

Assembly Pliers, P/N # 202 589 01 37 00



Zoom

Sized for Print

[Zoom](#)[Sized for Print](#)**DANGER:**

Risk of injury to fingers being jammed or squeezed when removing and installing or aligning hoods, doors, trunk lid/tailgate and sliding roof.

- **When moving components ensure that no body parts or limbs are in the area of movement.**

- 1 Remove sliding/pop-up roof cover
- 2 Operate sliding roof switch in close direction until the sliding roof drive switches off
- 3 Remove water drain channel (6)
- 4 Detach overhead control panel (N70)
- 5 Slacken bolts (1)

Screw on sliding roof drive

TORX - **4 N.m**

Hexagon socket - **4 N.m**

See "**Special Tool**" given below.

- 6 Decouple sliding roof drive from sliding/tilting roof surround

NOTE:

- Until the drive gear is no longer meshed with the cables (7).
- Installation: Before fastening sliding roof drive, check position of tip (8) in relation to edge of lever (9). The tip in the opening on the tilting bracket should coincide with the edge of the lever in front. Correct tilting bracket if necessary.

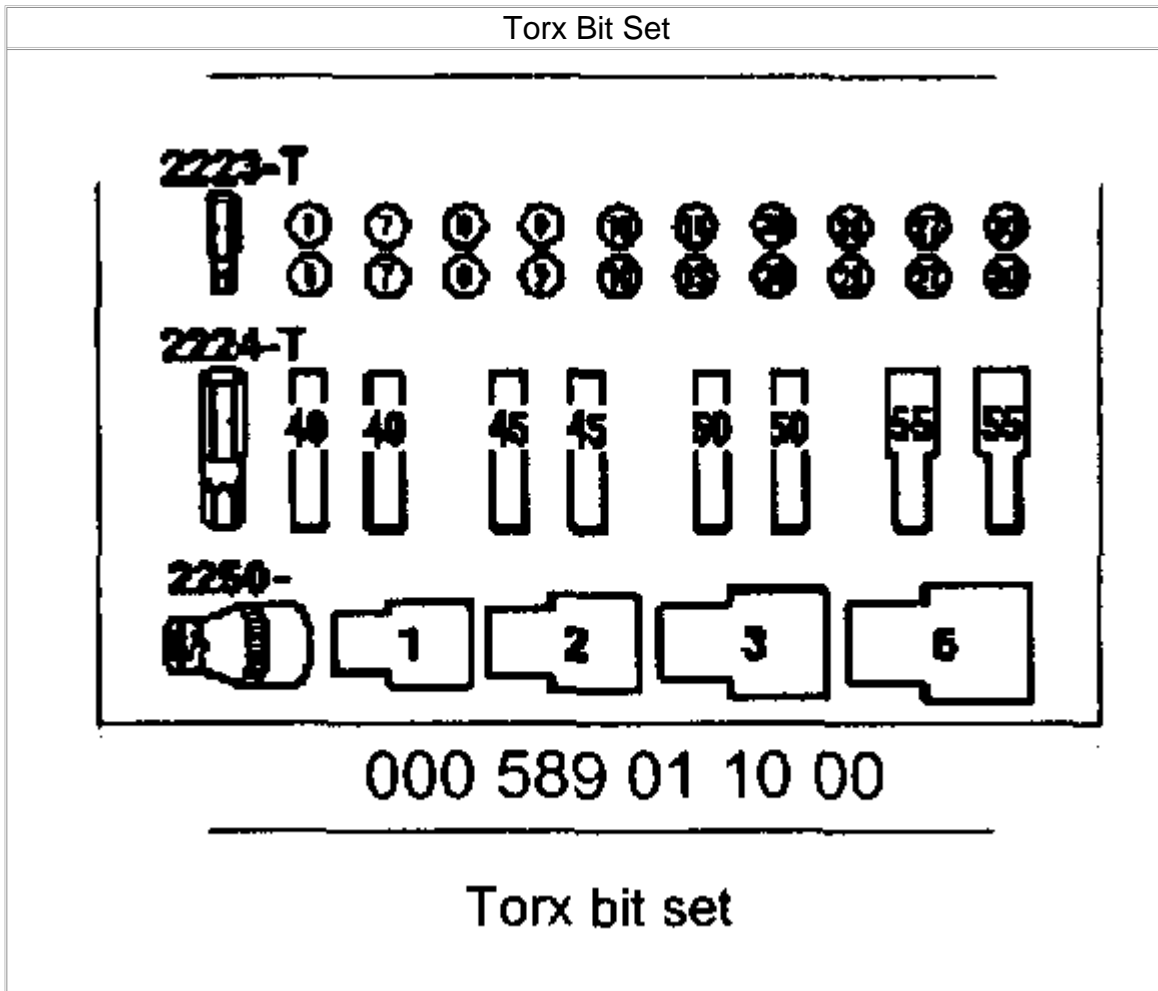
Screw on sliding/pop-up roof [frame](#) - **8 N.m**

- 7 Unscrew screws (2) on both sides
- 8 Remove screws (3) on both sides
- 9 Pull off cover (4) in direction of arrow on both sides
- 10 Push tilting bracket (5) approx. 10 cm to rear on both sides
- 11 Push cable (7) forward about 10 cm on both sides

12 Pull out pull cable (7) toward rear on both sides

13 Install in the reverse order

Special Tool



Zoom

Sized for Print