

[Select Vehicle](#) | [New TSBs](#) | [Technician's Reference](#)

Component Search:

OK

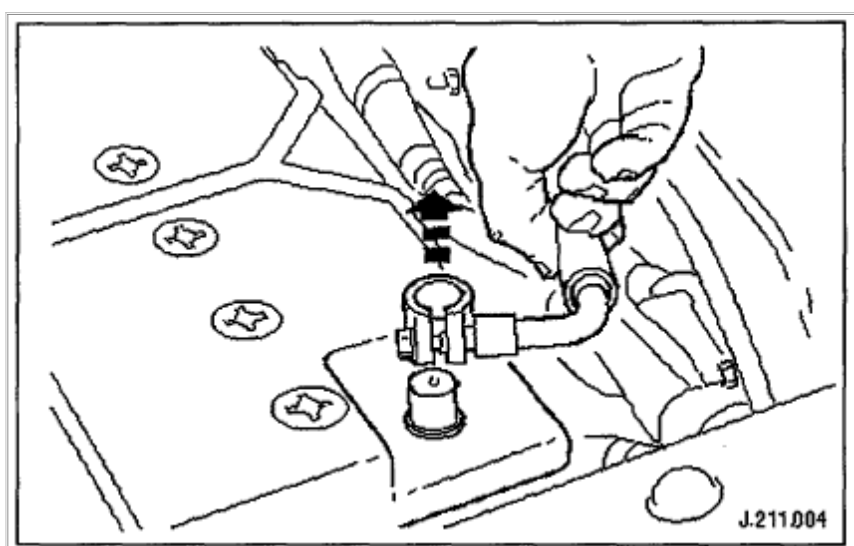
[Conversion Calculator](#)**1998 Jaguar Vanden Plas V8-3996cc 4.0L DOHC (AJ26) SFI**[Vehicle Level](#) → [Starting and Charging](#) → [Starting System](#) → [Starter Motor](#) → [Service and Repair](#) ←

Service and Repair

[Notes](#)

Removal

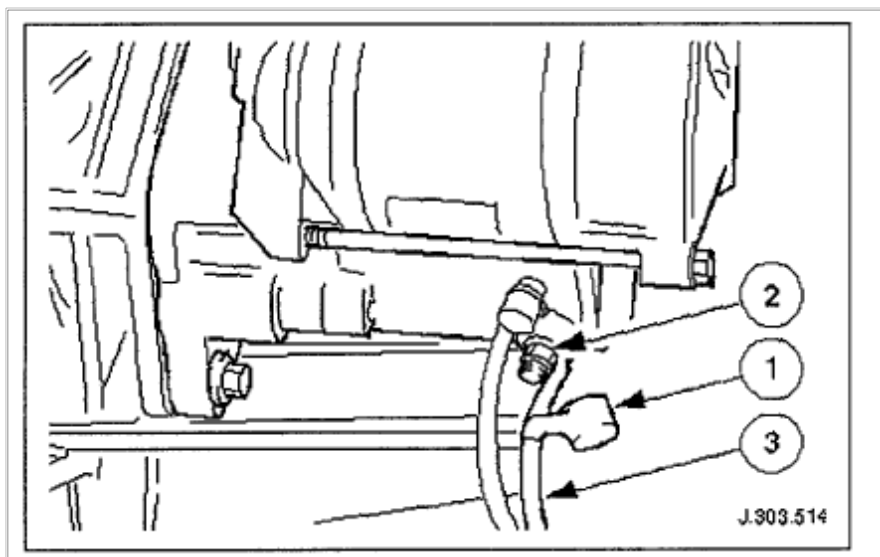
1. Open the engine compartment and fit paintwork protection sheets.



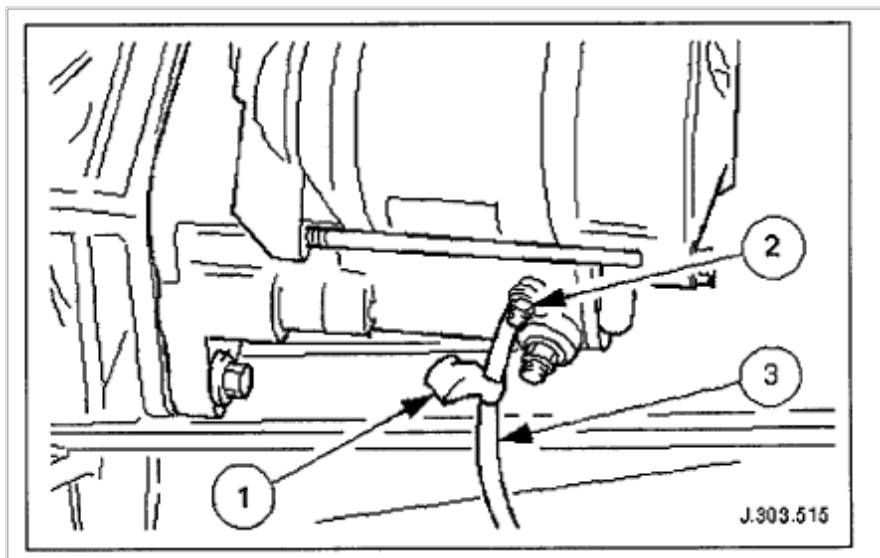
Zoom

Sized for Print

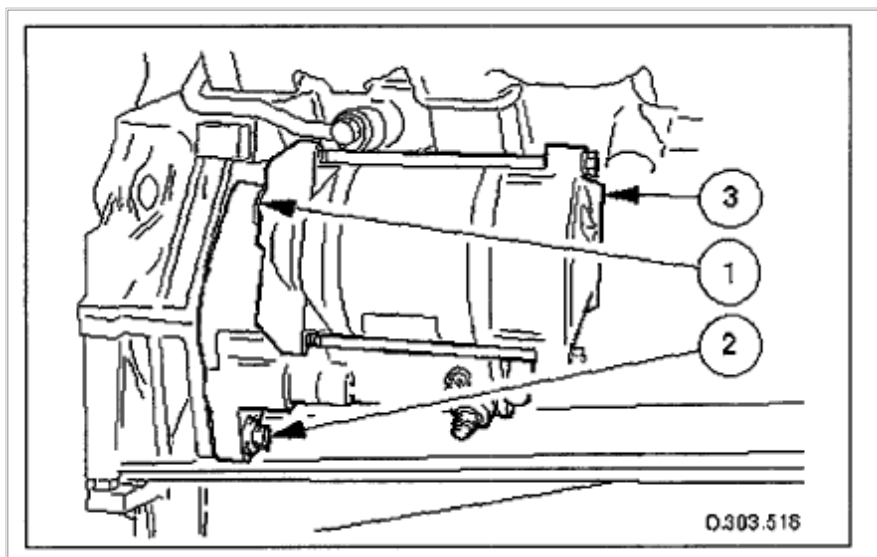
2. Disconnect the [battery](#) ground cable. Remove the [battery](#) cover.
3. Place the vehicle on a ramp.
4. Working from below the vehicle, remove the power steering rack for access.

[Zoom](#)[Sized for Print](#)

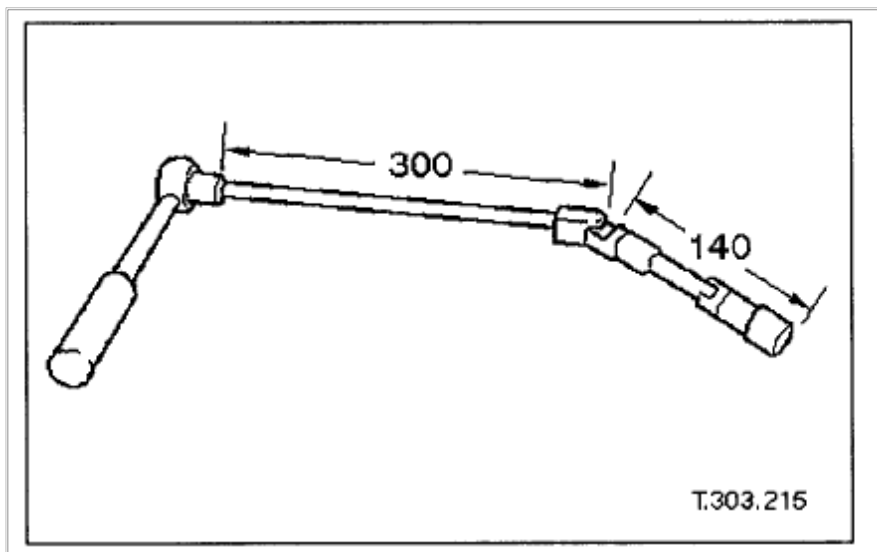
5. Disconnect the starter motor main terminal. Reposition the rubber boot from the main terminal. Remove the nut from the starter motor main terminal. Disconnect the main cable from the terminal.

[Zoom](#)[Sized for Print](#)

6. Disconnect the starter motor solenoid terminal. Reposition the rubber boot from the terminal. Remove the nut from the solenoid terminal. Disconnect the cable from the terminal.

[Zoom](#)[Sized for Print](#)

7. Remove the starter motor securing bolts. Remove the upper securing bolt. Preferably, use a short **13 mm** spanner or a Snap On Half Moon spanner CMX1113 to initially loosen the bolt. (Refer to the next step). Remove the lower securing bolt. Carefully remove the starter motor.

[Zoom](#)[Sized for Print](#)

8. The upper bolt may be removed (after loosening) using a **3/8'** square drive **13 mm** socket, extensions and U.J as shown.

Installation

1. Installation is the reverse of the removal procedure. Tighten the starter motor securing bolts to **35-48 Nm**.
2. Refit the steering rack as detailed in Operation 57.10.01. Refill the reservoir with the recommended fluid and bleed the steering system.
3. Lower the ramp. Remove the protection sheets and close the engine compartment cover.
4. Connect the [battery](#) and fit the battery cover. Reset the radio information and the clock.

© 2008 ALldata LLC. All rights reserved.

[Terms of Use](#)