

Select Vehicle | New TSBs | Technician's Reference

Component Search:

 Conversion Calculator

1997 Jeep Truck Cherokee 4WD L6-4.0L VIN S

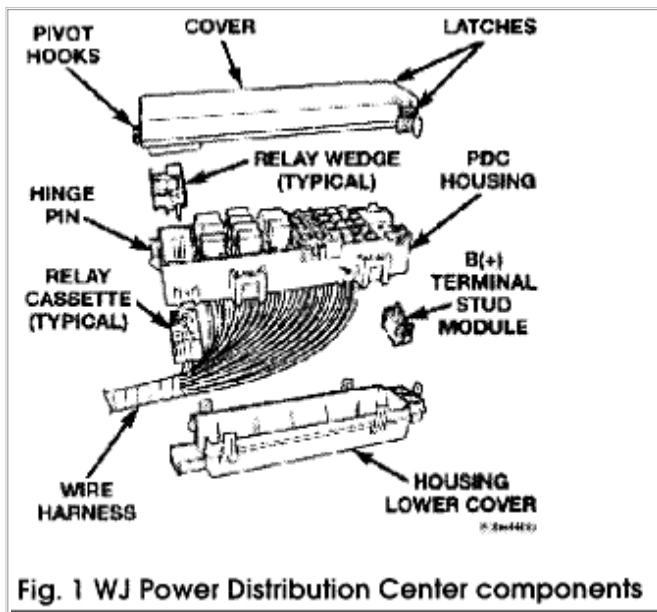
[Vehicle Level](#) → [Power and Ground Distribution](#) → [Technical Service Bulletins](#) → [Power Distribution Center - Service](#) → [Instruction Sheet - K68855329 - PDC Repair Kit](#) → [Disassembly and Assembly](#) ←

Disassembly and Assembly

[Notes](#)

POWER DISTRIBUTION CENTER -

XJ, TJ, ZJ, WJ



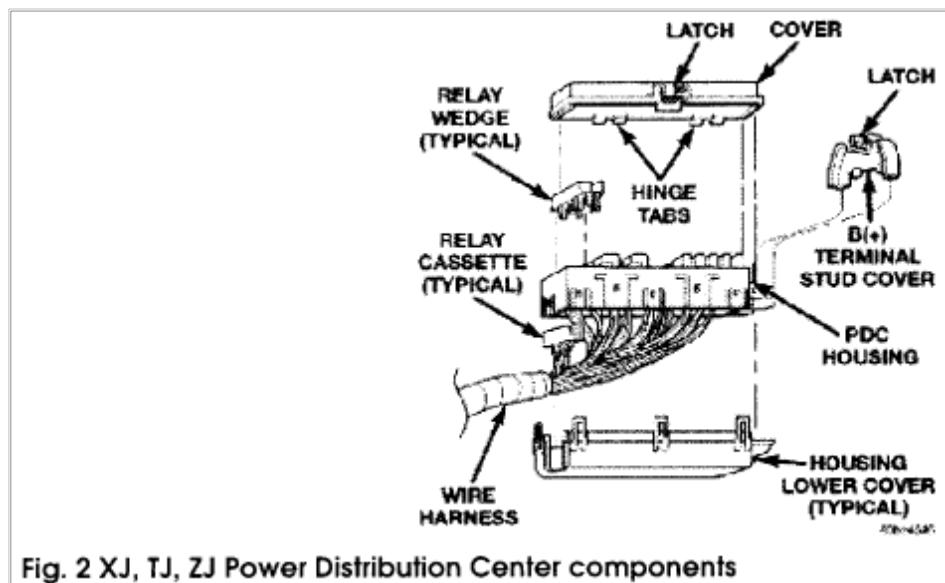


Fig. 2 XJ, TJ, ZJ Power Distribution Center components

Zoom

Sized for Print

The Power Distribution Center (PDC) cover, the [PDC](#) housing lower cover, the PDC relay wedges, the PDC relay cassettes and the PDC B(+) terminal stud module (WJ only) are available for service replacement (Fig. 1 and Fig. 2). The PDC cover can be simply unlatched and removed from the PDC housing without the PDC being removed or disassembled. Service of the remaining PDC components requires that the PDC be removed from its mounting and disassembled. Refer to Wiring Repair in the index of this service manual for the location of the wiring repair procedures.