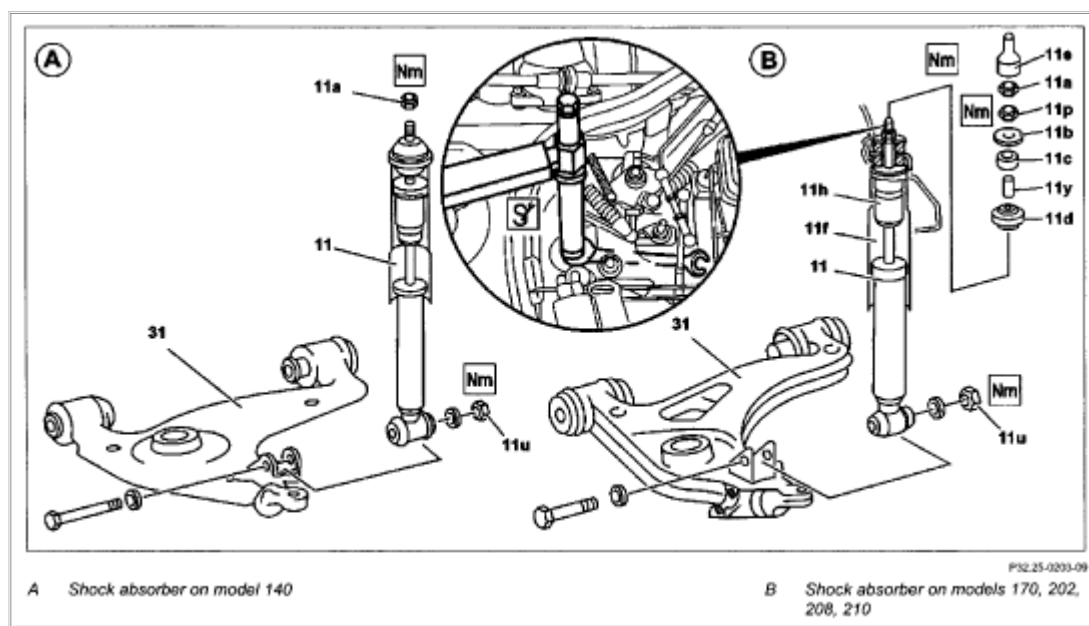


[Select Vehicle](#) | [New TSBs](#) | [Technician's Reference](#)Component Search: [Conversion Calculator](#)**1997 Mercedes Benz S 500 Sedan (140.051) V8-5.0L (119.980)**[Vehicle Level](#) → [Steering and Suspension](#) → [Suspension](#) → [Shock Absorber](#) → [Service and Repair](#) →[AR32.25-P-0105A Remove/Install Front Shock Absorber](#) ←

AR32.25-P-0105A Remove/Install Front Shock Absorber

[Notes](#)

Removing And Installing Front Shock Absorber



CAUTION: The vehicle must be standing on its [wheels](#) when removing the upper shock absorber mounting.

- 1 Detach upper shock absorber mounting.

Model 140: Counter piston rod with Alien wrench (WAF 5).

NOTE: Installation: Replace self-locking nut (11a).

- 2 Remove plate (11b) and rubber mount (11c).

- 3 Raise vehicle.
- 4 Detach shock absorber (11) from wishbone (31) and remove downwards.

CAUTION: Installation: Replace self-locking nut (11u).

- 5 Remove mounting parts (11y, 11d, 11f, 11h) for shock absorber (11).
- 6 Check shock absorber.
- 7 Install in the reverse order.

© 2008 ALldata LLC. All rights reserved.

[Terms of Use](#)

[Select Vehicle](#) | [New TSBs](#) | [Technician's Reference](#)

 Component Search:

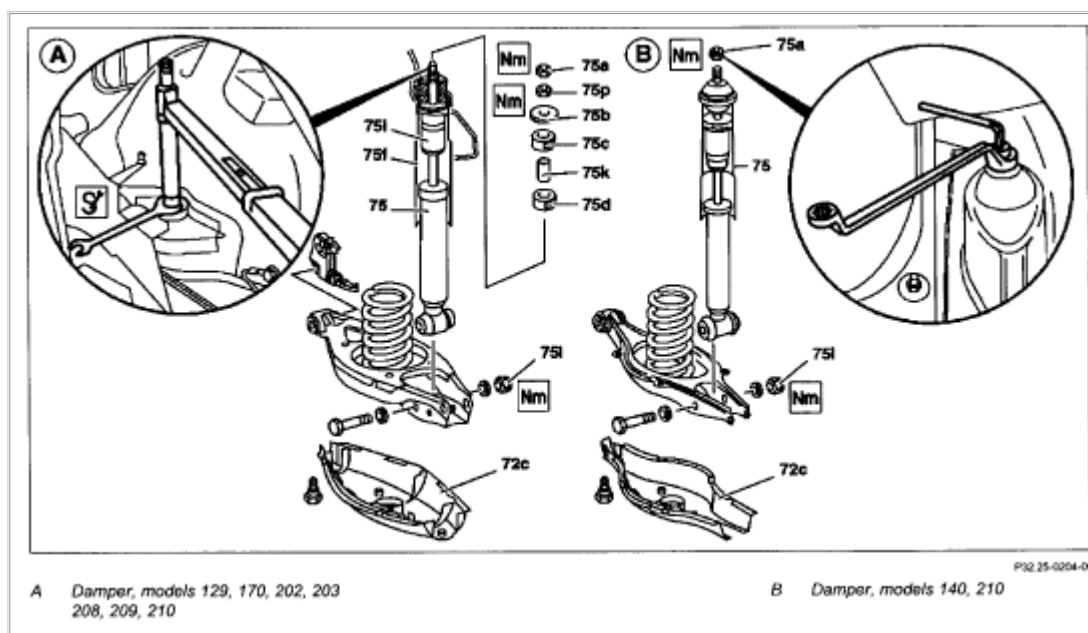
1997 Mercedes Benz S 500 Sedan (140.051) V8-5.0L (119.980)
[Vehicle Level](#) → [Steering and Suspension](#) → [Suspension](#) → [Shock Absorber](#) → [Service and Repair](#) →

[AR32.25-P-0110A Remove/Install Rear Shock Absorber](#) ←

AR32.25-P-0110A Remove/Install Rear Shock Absorber

[Notes](#)

Remove/install Rear Shock Absorber



DANGER:

- Risk of death. Death may result if vehicle slips or topples from the lifting platform.
- Align vehicle between the columns of the lifting platform and position the four support plates at the lifting platform support points specified by the vehicle manufacturer.

CAUTION: Installation: Replace self-locking nuts and bolts.

- 1 Detach upper shock absorber mounting

NOTE: The vehicle must be standing on its [wheels](#) when removing the upper shock absorber mounting.

- 2 Remove plate (75b) and rubber mount (75c)
- 3 Raise vehicle.
- 4 Remove rear axle switch for roll bar
- 5 Remove spring link cover (72c).
- 6 Detach damper (75) from spring link
- 7 Remove attaching parts (75k, 75d, 75f, 75i) of damper (75)
- 8 Shock absorber inspection
- 9 Install in the reverse order

© 2008 ALldata LLC. All rights reserved.

[Terms of Use](#)

[Select Vehicle](#) | [New TSBs](#) | [Technician's Reference](#)

Component Search:

OK

 [Conversion Calculator](#)**1997 Mercedes Benz S 500 Sedan (140.051) V8-5.0L (119.980)**[Vehicle Level](#) → [Steering and Suspension](#) → [Suspension](#) → [Shock Absorber](#) → [Adjustments](#) → [Prerequisites For Vehicle Level Measurements](#) ←

Prerequisites For Vehicle Level Measurements

[Notes](#)

Prerequisites For Vehicle Level Measurements

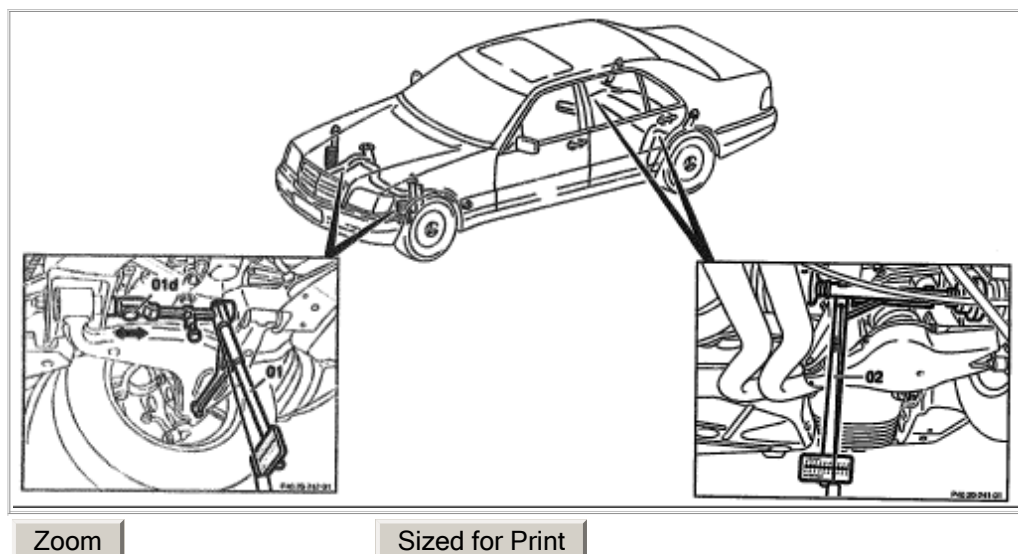
1. Vehicle in "ready-to-drive" condition:
 - Operational vehicle filled with oil and coolant
 - Fuel tank full, compensate for lack of fuel by additional weight in trunk
 - Spare wheel and tool kit in vehicle
 - Vehicle Unladen. Remove any luggage,
2. Check, correct tire pressures
 - Refer to tire pressure label in fuel tank flap
3. Check [tires](#) and disc [wheels](#)
 - Wear pattern, tread depth and damage

[Select Vehicle](#) | [New TSBs](#) | [Technician's Reference](#)Component Search: [Conversion Calculator](#)**1997 Mercedes Benz S 500 Sedan (140.051) V8-5.0L (119.980)**[Vehicle Level](#) → [Steering and Suspension](#) → [Suspension](#) → [Shock Absorber](#) → [Adjustments](#) → [Adjusting Vehicle Level at Front and Rear](#) ←

Adjusting Vehicle Level at Front and Rear

[Notes](#)

Adjusting Vehicle Level at Front and Rear



NOTE: Numbers in parentheses () indicate a component or tool in the associated illustration.

1. Comply with Prerequisites For Vehicle Level Measurement
 - After repair work, move the vehicle up and down vigorously several times prior to measurement
2. Check vehicle level at front axle:
 - Insert measuring device (01) tool No. 140 589 01 21 00, or equivalent, between the eccentric bolts of the wishbone mount
 - Position contact arm of measuring device (01) on the wishbone and read off the plumb value of vehicle level, viewed from the center of the vehicle
3. Check vehicle level at rear axle
 - Place the measuring device (02) tool No. 140 589 02 21 00, or equivalent on

the rear wheel drive shaft

- Read off the plumb value of vehicle level, viewed from the center of the vehicle

4. If the vehicle level is outside tolerance at front or rear axle:

- Adjust vehicle level by changing the springs or spring rubber mounts

NOTE: On vehicles with level control, a vehicle level which is too low must not be corrected by modifying the connecting rod of the level controller (control point)

- a. Check function of level control.
- b. If in order, adjust vehicle level by changing the springs or spring rubber mounts

5. Specifications: Front: **+10 mm (-15 / +10 mm)** Rear: **+6 mm ±10 mm**

© 2008 ALldata LLC. All rights reserved.

[Terms of Use](#)



[Select Vehicle](#) | [New TSBs](#) | [Technician's Reference](#)

Component Search:

[Conversion Calculator](#)

1997 Mercedes Benz S 500 Sedan (140.051) V8-5.0L (119.980)

[Vehicle Level](#) → [Steering and Suspension](#) → [Suspension](#) → [Specifications](#) → [Vehicle Level Measurements](#) ←

Vehicle Level Measurements

[Notes](#)

SUSPENSION HEIGHT SPECIFICATIONS

Front	+10 mm (-15 / +10 mm)
Rear	+6 mm ±10 mm



[Select Vehicle](#) | [New TSBs](#) | [Technician's Reference](#)

Component Search:

[Conversion Calculator](#)

1997 Mercedes Benz S 500 Sedan (140.051) V8-5.0L (119.980)

[Vehicle Level](#) → [Steering and Suspension](#) → [Suspension](#) → [Specifications](#) → [Control Point Measurements](#) ←

Control Point Measurements

[Notes](#)

Control Point Measurements

SUSPENSION CONTROL POINT SPECIFICATIONS

Control Point Of Rear Axle Level Control: -15 mm ±10 mm

[Home](#) | [Account](#) | [Contact ALLDATA](#) | [Log Out](#) | [Help](#)

METRO TOYOTA

[Select Vehicle](#) | [New TSBs](#) | [Technician's Reference](#)

Component Search:

OK

 [Conversion Calculator](#)**1997 Mercedes Benz S 500 Sedan (140.051) V8-5.0L (119.980)**[Vehicle Level](#) → [Steering and Suspension](#) → [Suspension](#) → [Specifications](#) → [Front Shock, Models With Adaptive Damping System \(ADS\)](#) ←

Front Shock, Models With Adaptive Damping System (ADS)

[Notes](#)

Front Shock, Models With Adaptive Damping System (ADS)

TIGHTENING SPECIFICATIONS

[Shock Absorber/ADS To Front End](#)

40 Nm

[Shock Absorber/ADS To Wishbone](#)

100 Nm

© 2008 ALLDATA LLC. All rights reserved.

[Terms of Use](#)