

[Select Vehicle](#) | [New TSBs](#) | [Technician's Reference](#)

Component Search:

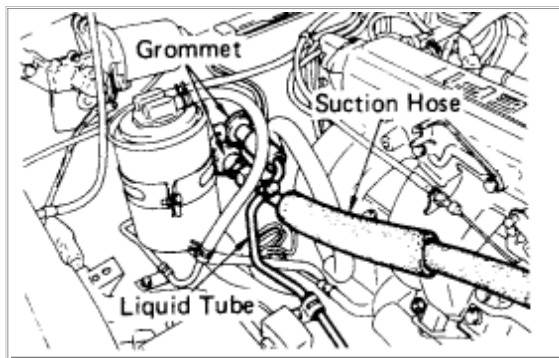
OK

[Conversion Calculator](#)**1995 Toyota Truck 4 Runner 2WD V6-180.5 2959cc 3.0L SOHC (3VZ-E)**[Vehicle Level](#) → [Heating and Air Conditioning](#) → [Evaporator Case](#) → [Service and Repair](#) → [Removal and Installation](#)

Removal and Installation

[Notes](#)

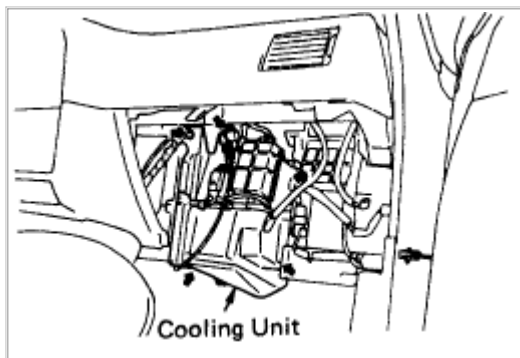
COOLING UNIT REMOVAL



Zoom

Sized for Print

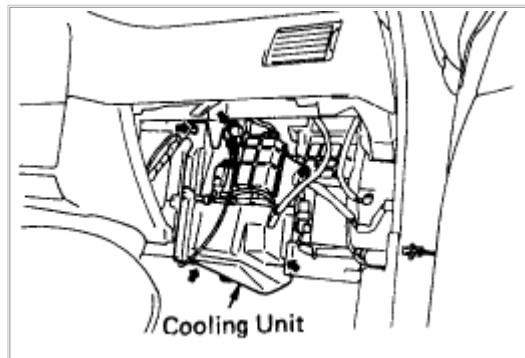
1. DISCONNECT NEGATIVE (-) TERMINAL CABLE FROM BATTERY
2. DISCHARGE [REFRIGERANT](#) FROM REFRIGERATION SYSTEM
3. DISCONNECT SUCTION TUBE AND LIQUID TUBE FROM COOLING UNIT OUTLET FITTING
4. DISCONNECT LIQUID TUBE FROM COOLING UNIT INLET FITTING **HINT:** Cap the open fittings immediately to keep moisture out of the system.



Zoom

Sized for Print

5. REMOVE GROMMETS FROM INLET AND OUTLET FITTINGS
6. REMOVE GLOVE BOX
7. DISCONNECT CONNECTOR
8. REMOVE COOLING UNIT Remove the 4 screws and a nut.

[Zoom](#)[Sized for Print](#)

COOLING UNIT INSTALLATION

1. INSTALL COOLING UNIT Install the cooling unit with the 4 screws and the nut.
2. CONNECT CONNECTORS
3. INSTALL GLOVE BOX
4. INSTALL GROMMETS ON INLET AND OUTLET FITTING
5. CONNECT LIQUID TUBE TO COOLING UNIT INLET FITTING **Torque: 14 N.m (140 kgf.cm, 10 ft.lbf)**
6. CONNECT SUCTION TUBE TO COOLING UNIT OUTLET FITTING **Torque: 32 N.m (325 kgf.cm, 24 ft.lbf)**
7. IF EVAPORATOR WAS REPLACED, ADD COMPRESSOR OIL TO COMPRESSOR **Add 40-50 cc (1.4-1.7 fl.oz.) Compressor oil: ND-OIL 8 or equivalent**
8. CONNECT NEGATIVE (-) TERMINAL CABLE TO BATTERY
9. EVACUATE AIR FROM REFRIGERATION SYSTEM
10. CHARGE AIR CONDITIONING SYSTEM WITH [REFRIGERANT](#) AND INSPECT FOR GAS LEAKAGE **Specified amount: 700 ±50 g (24.69 ±1.76 oz.)**

Select Vehicle | New TSBs | Technician's Reference

Component Search:

OK

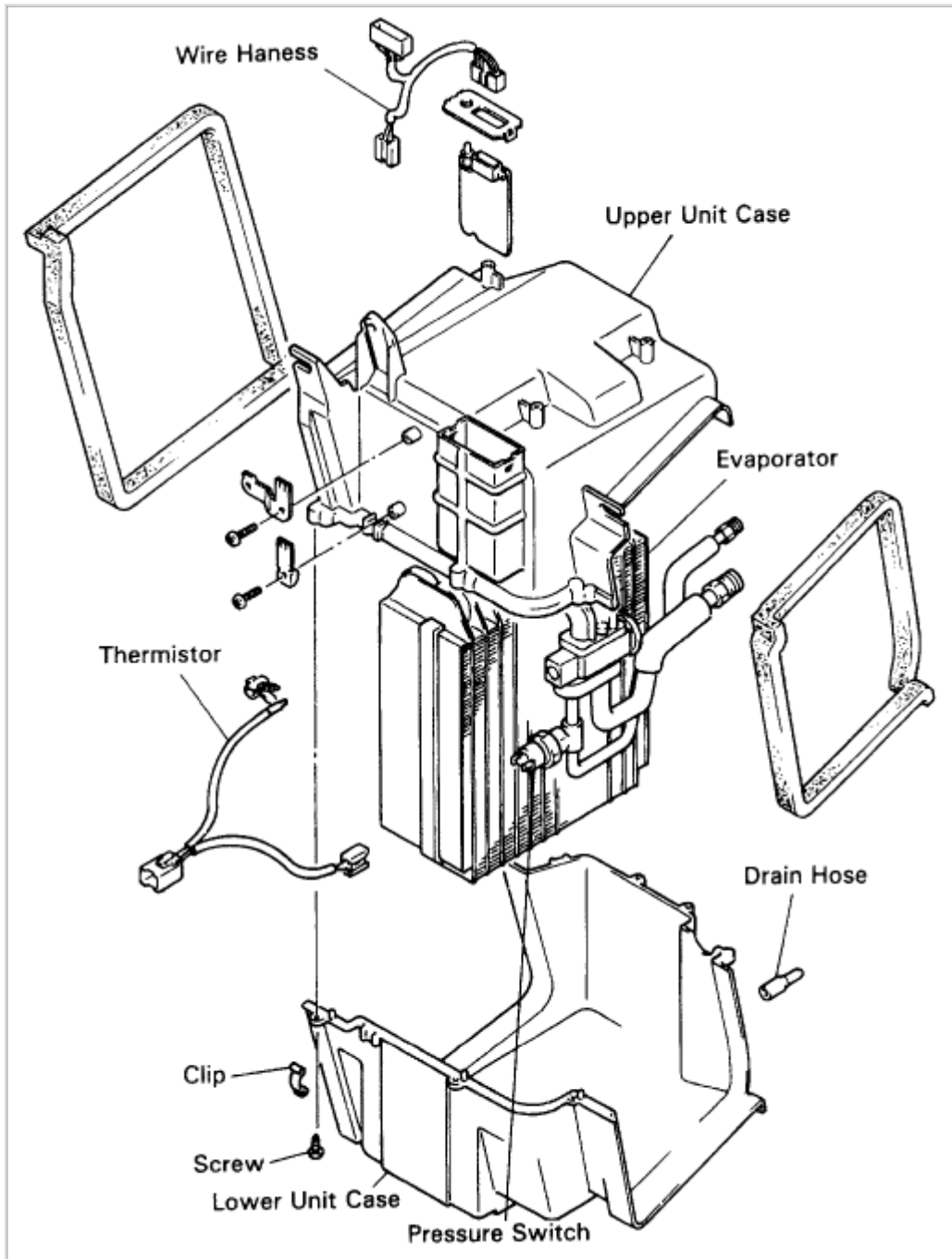
Conversion Calculator

1995 Toyota Truck 4 Runner 2WD V6-180.5 2959cc 3.0L SOHC (3VZ-E)

[Vehicle Level](#) → [Heating and Air Conditioning](#) → [Evaporator Case](#) → [Service and Repair](#) → [Disassembly and Reassembly](#) ←

Disassembly and Reassembly

[Notes](#)

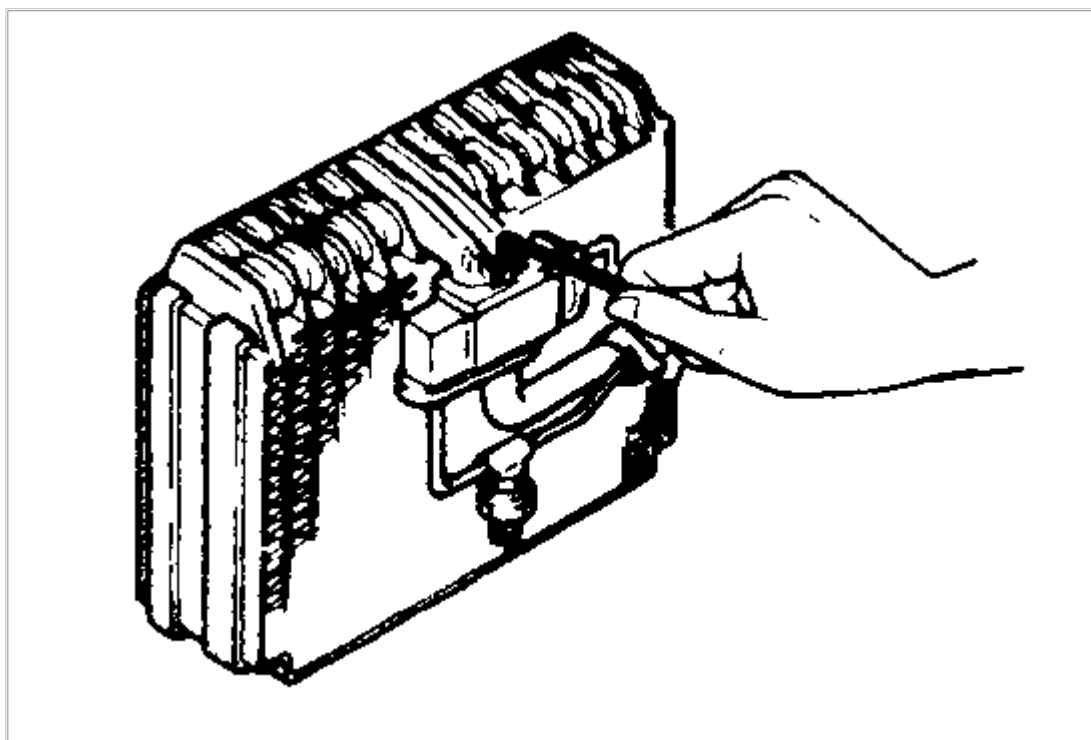


[Zoom](#)[Sized for Print](#)

COOLING UNIT DISASSEMBLY

1. REMOVE WIRE HARNESS
2. REMOVE UPPER AND LOWER CASE

- (a) Remove the 3 clips.
- (b) Remove the 4 screws.
- (c) Remove the upper unit case.
- (d) Remove the [thermistor](#) with the thermistor holder.
- (e) Remove the lower unit case

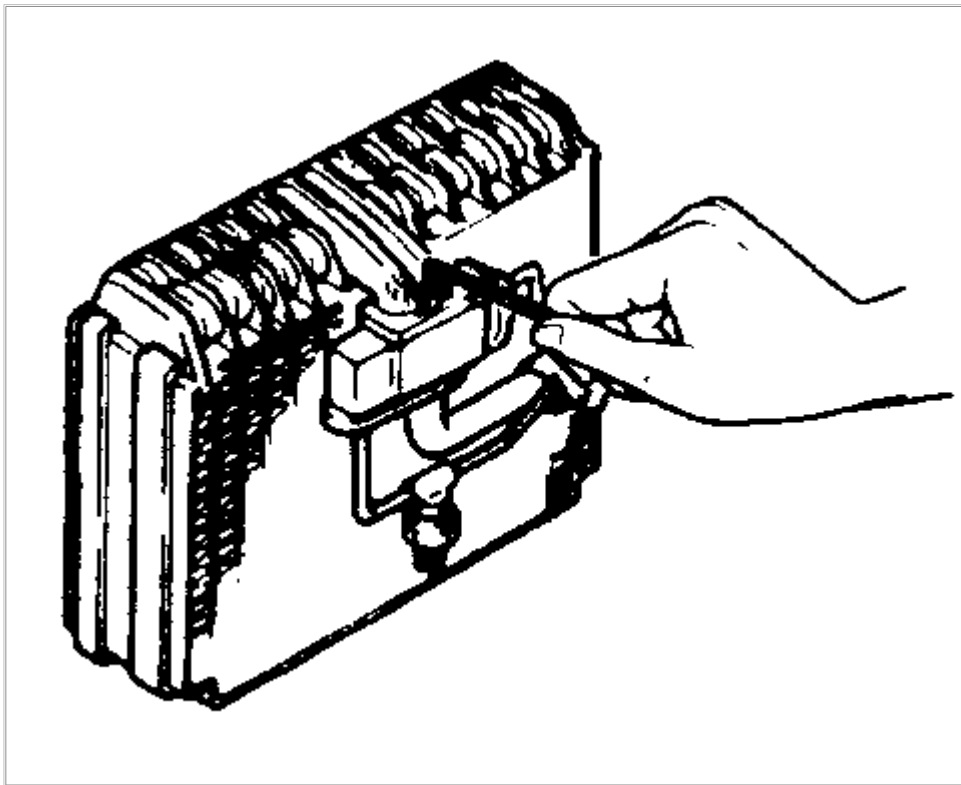
[Zoom](#)[Sized for Print](#)

3. REMOVE [EXPANSION VALVE](#)

- (a) Disconnect the liquid tube from the inlet fitting of the expansion valve.

- (b) Remove the packing and the heat sensing tube from the suction tube of the evaporator.
- (c) Remove the [expansion valve](#).

COOLING UNIT ASSEMBLY



Zoom

Sized for Print

1. INSTALL COMPONENTS ON EVAPORATOR

- (a) Connect the [expansion valve](#), suction and liquid tube to the evaporator.

Torque: 5.4 N.m (55 kgf.cm, 48 in.lbf)

HINT: Be sure that the O-rings are positioned on the tube fitting.

- (b) Install the holder to the suction tube with heat sensitizing tube.
- (c) Install the lower unit case to the evaporator.
- (d) Install the [thermistor](#) to the evaporator.

- (e) Install the upper unit case.
- (f) Install the 4 screws.
- (g) Install the 3 clips.

2. INSTALL WIRE HARNESS

© 2008 ALLDATA LLC. All rights reserved.

[Terms of Use](#)