



Select Vehicle | New TSBs | Technician's Reference

Component Search:

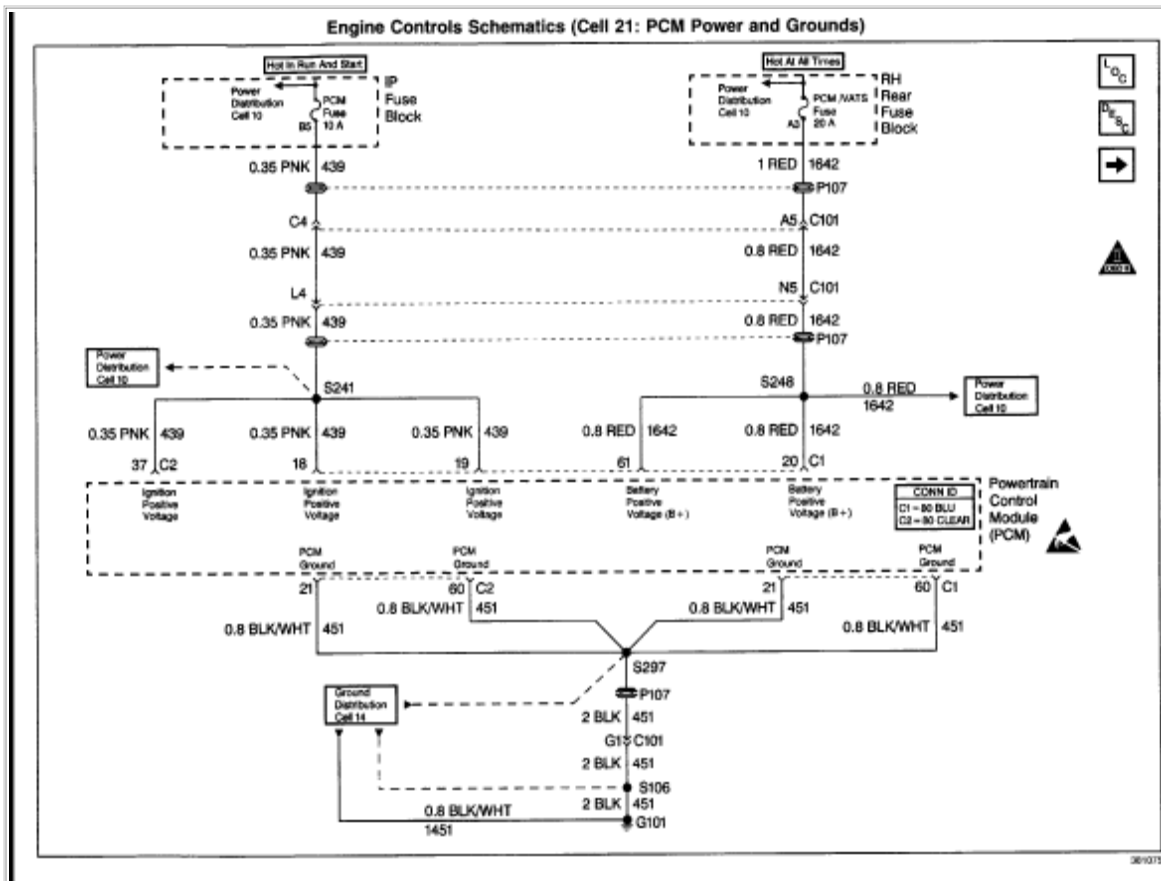
[Conversion Calculator](#)

1999 Oldsmobile Aurora V8-4.0L VIN C

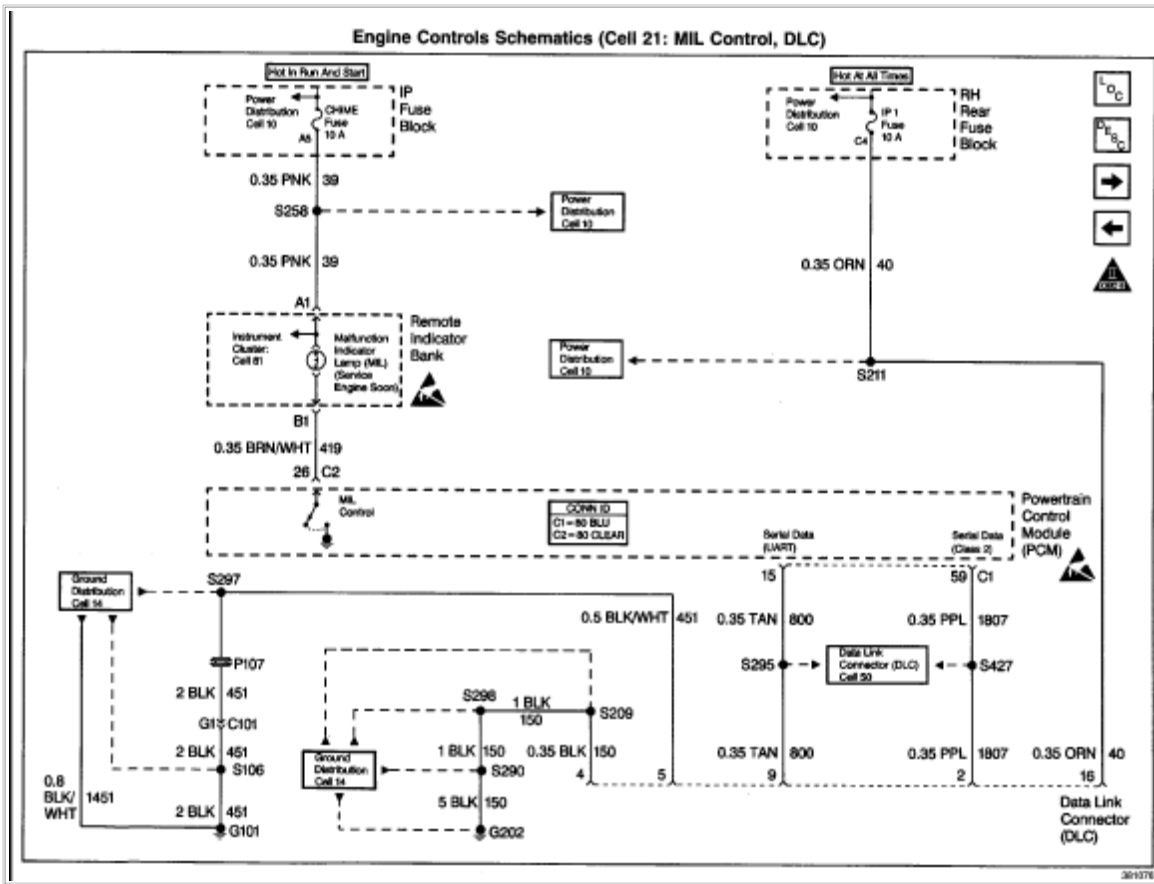
[Vehicle Level](#) → [Powertrain Management](#) → [Diagrams](#) → [Electrical Diagrams](#) → [Powertrain Controls](#) ←

### Powertrain Controls

[Notes](#)



### [PCM Power and Grounds](#)



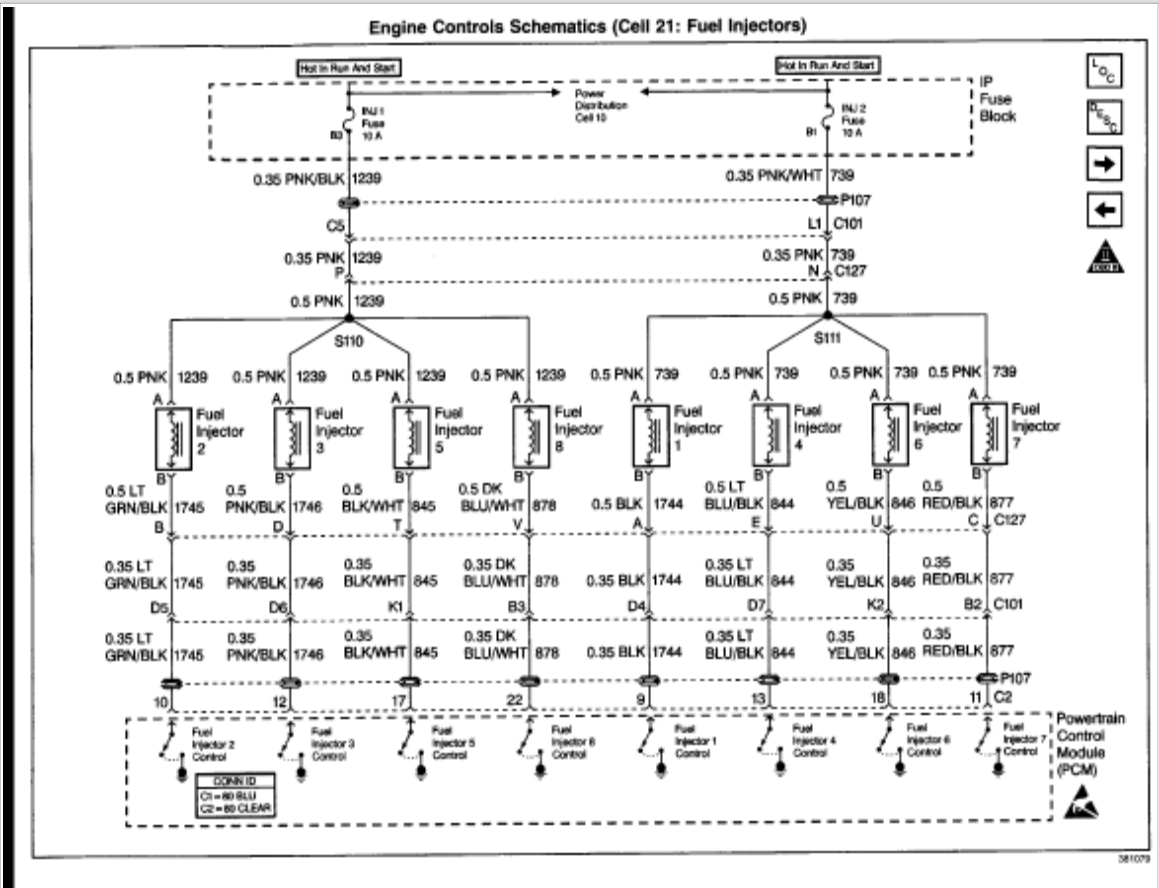
Zoom

Sized for Print

[MIL Control](#), [DLC](#)



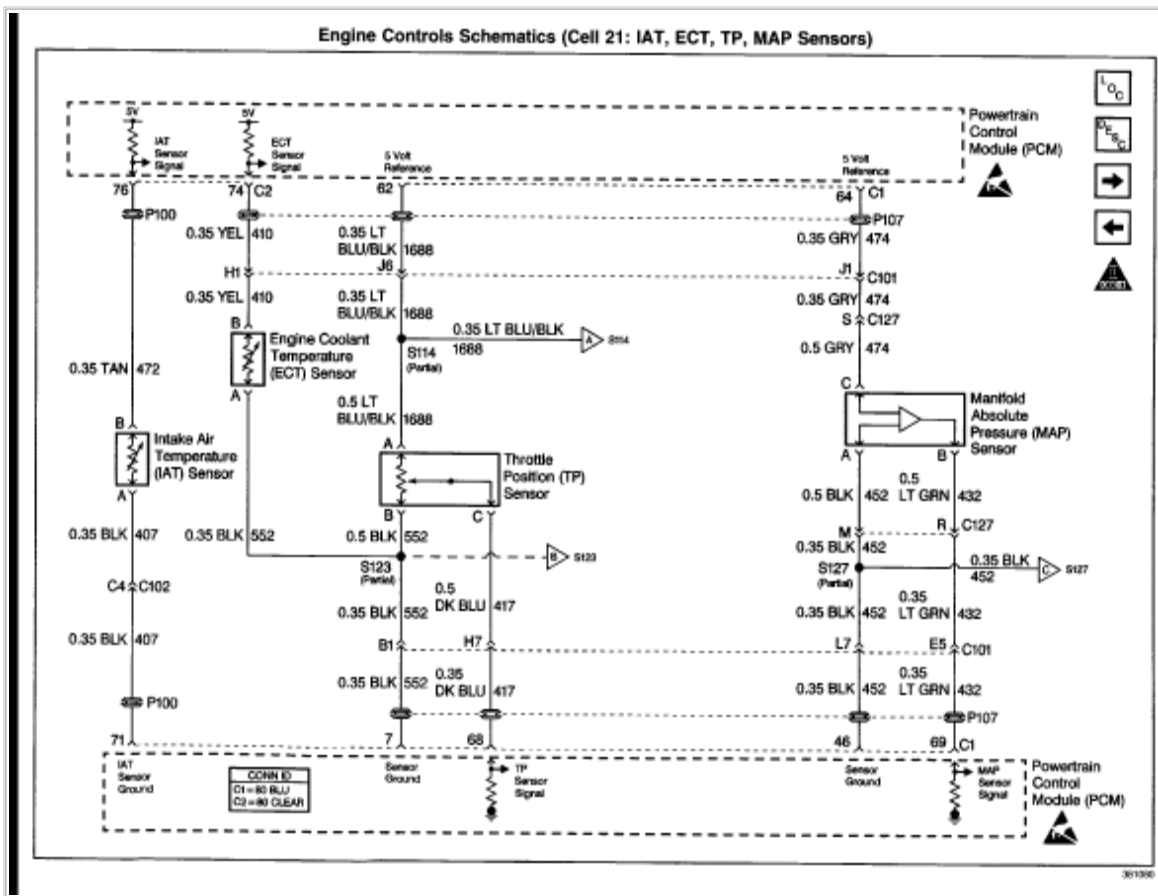




Zoom

Sized for Print

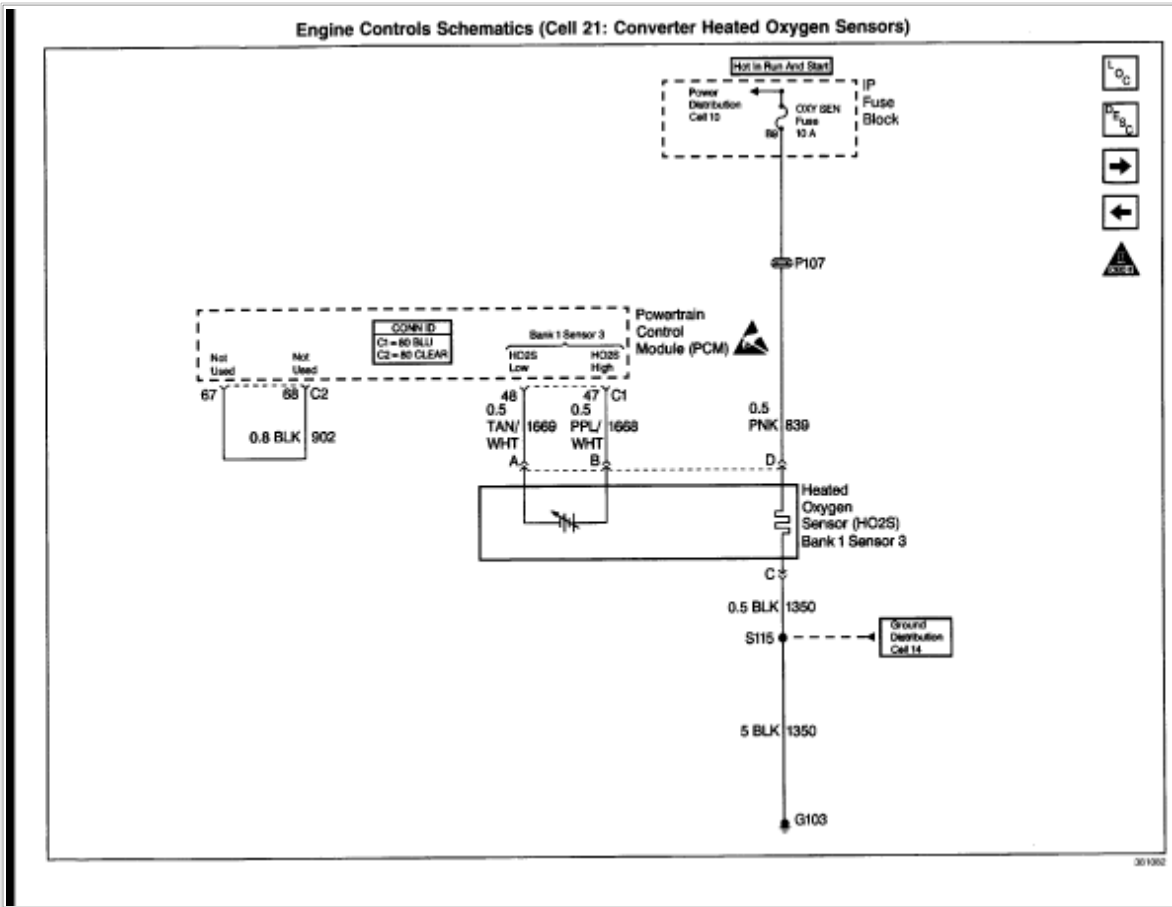
### Fuel Injectors



Zoom

Sized for Print

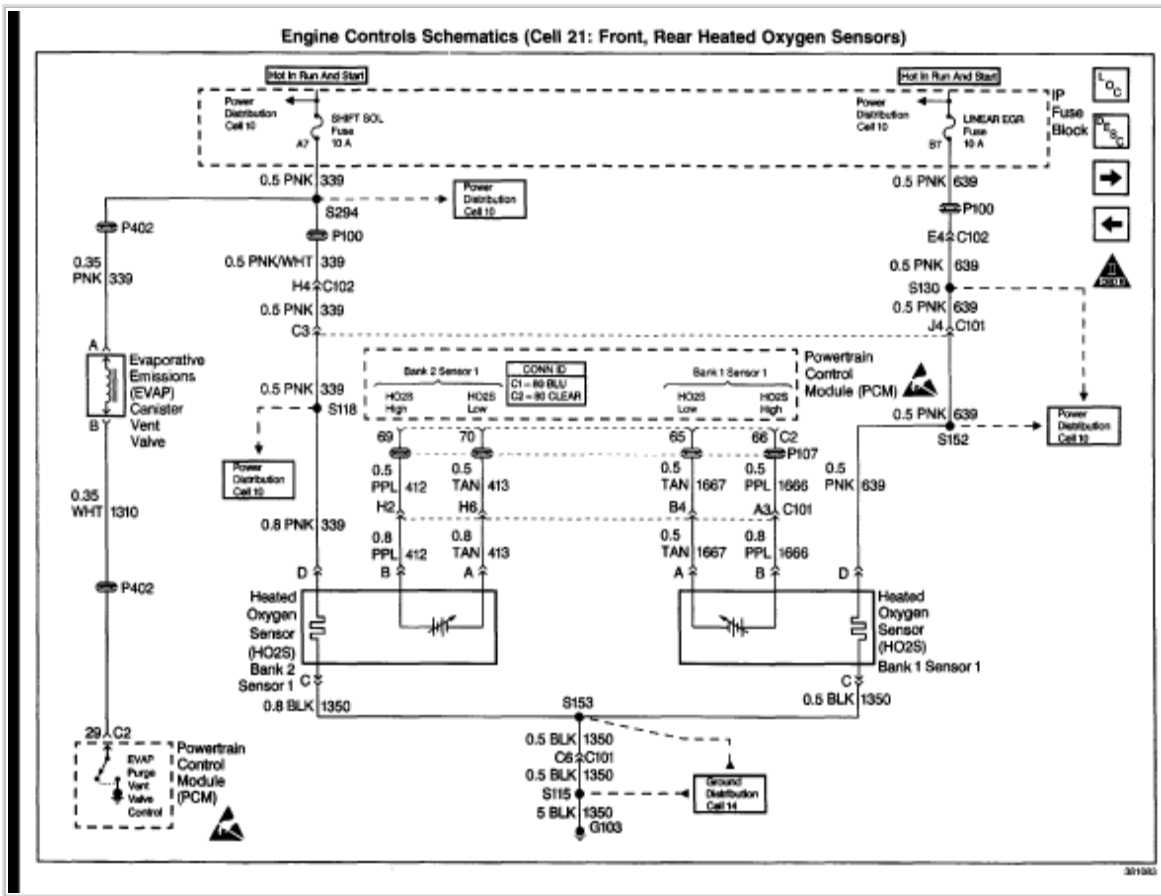
[IAT](#), [ECT](#), [TP](#), [MAP](#), Sensors



Zoom

Sized for Print

### Converter Heated Oxygen Sensors

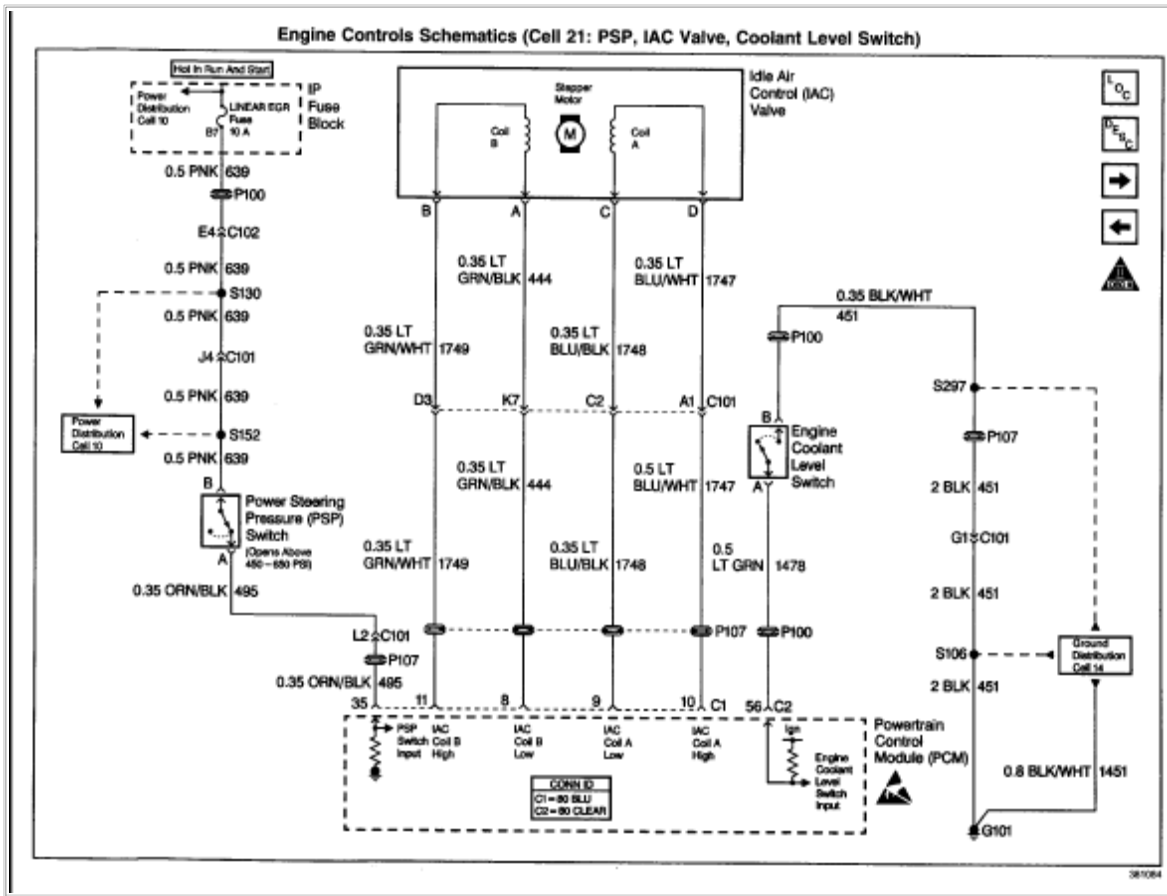


Zoom

Sized for Print

Front, Rear Heated Oxygen Sensors

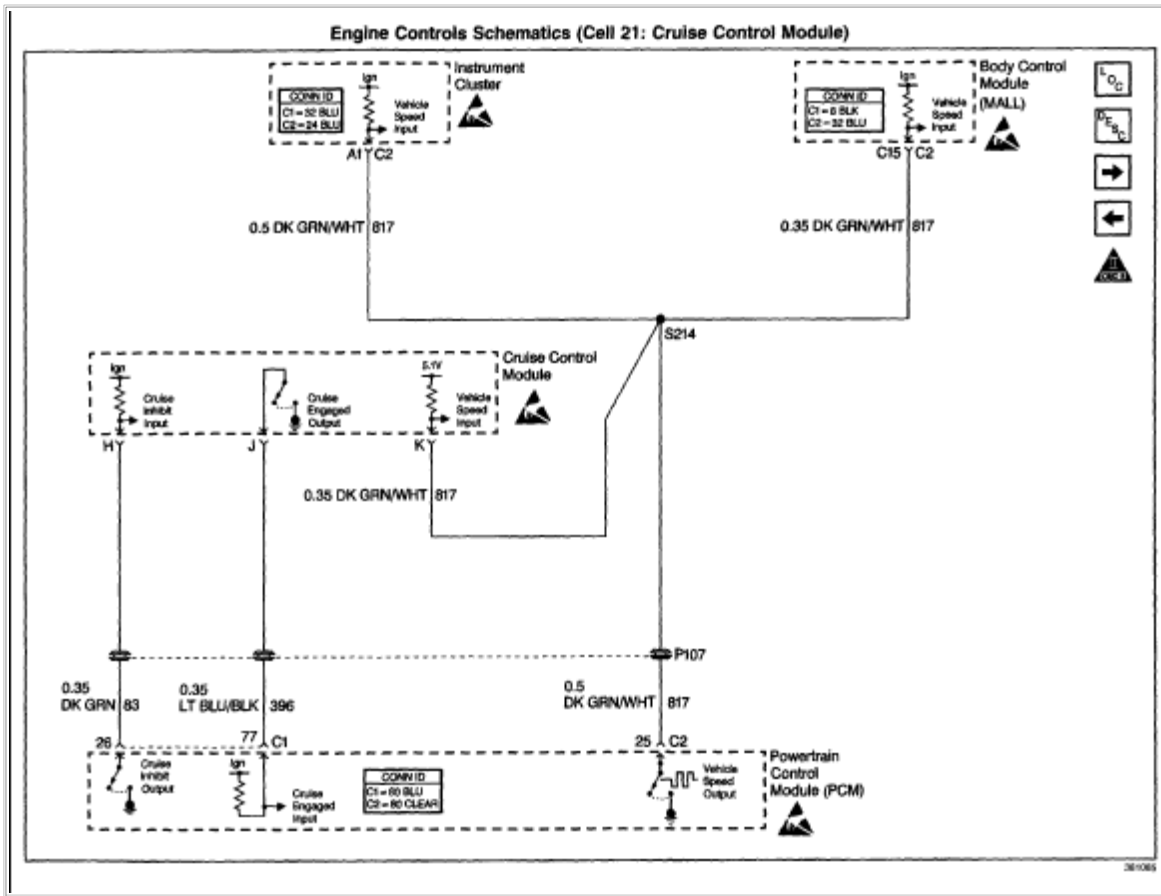




Zoom

Sized for Print

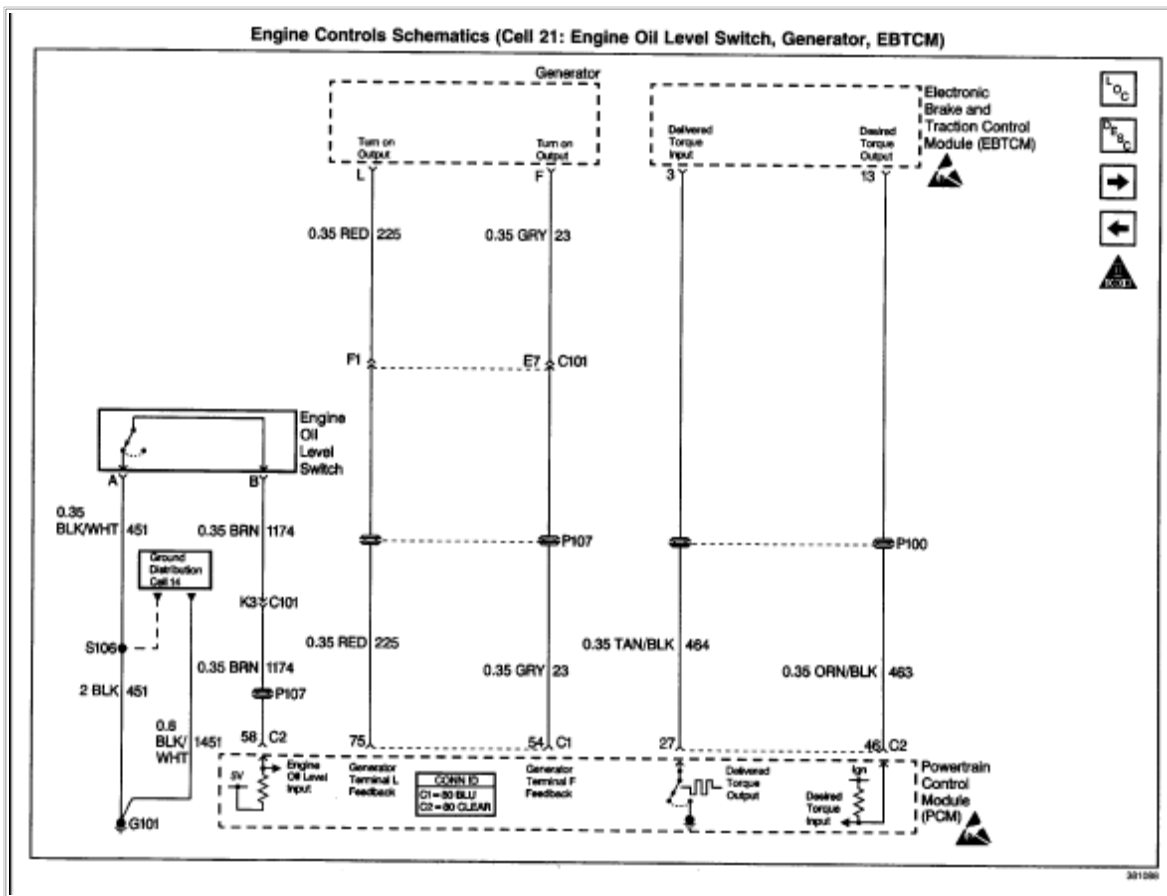
PSP, IAC Valve, Coolant Level Switch



Zoom

Sized for Print

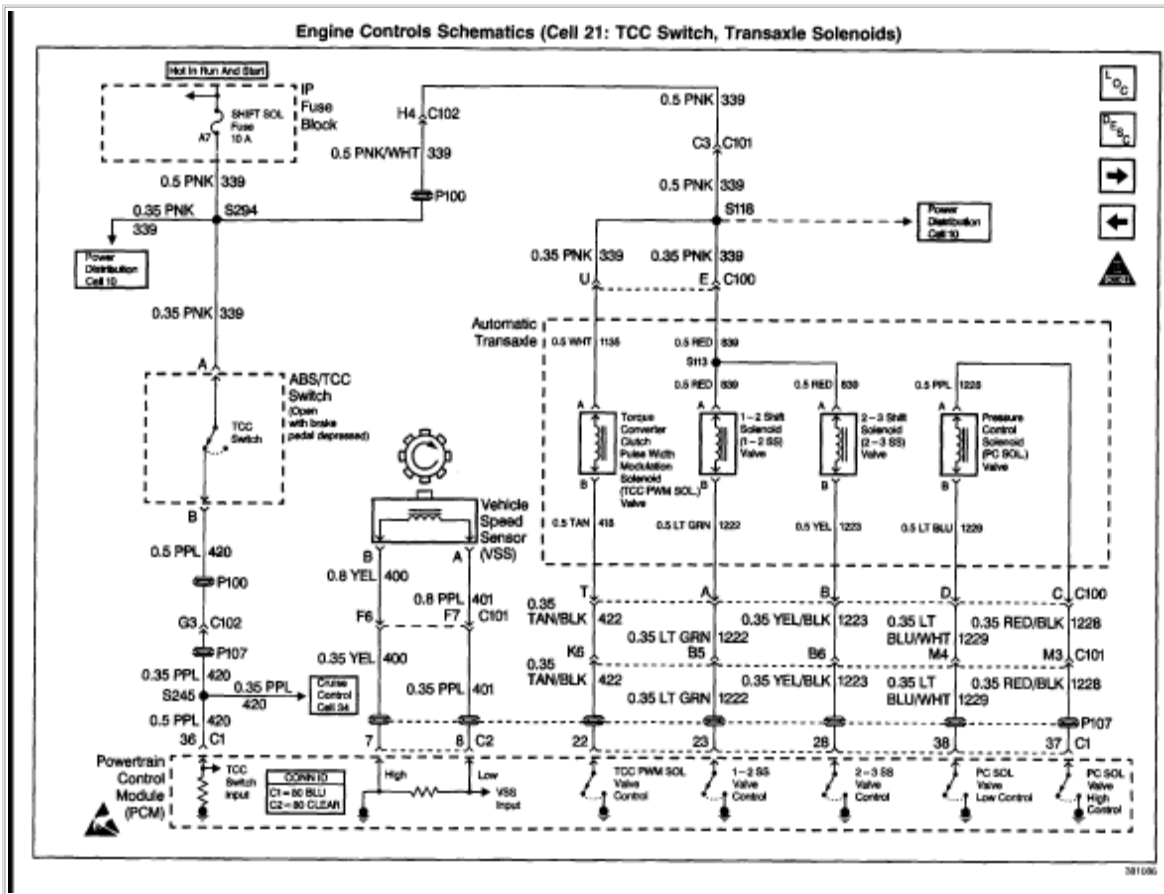
Cruise Control Module



Zoom

Sized for Print

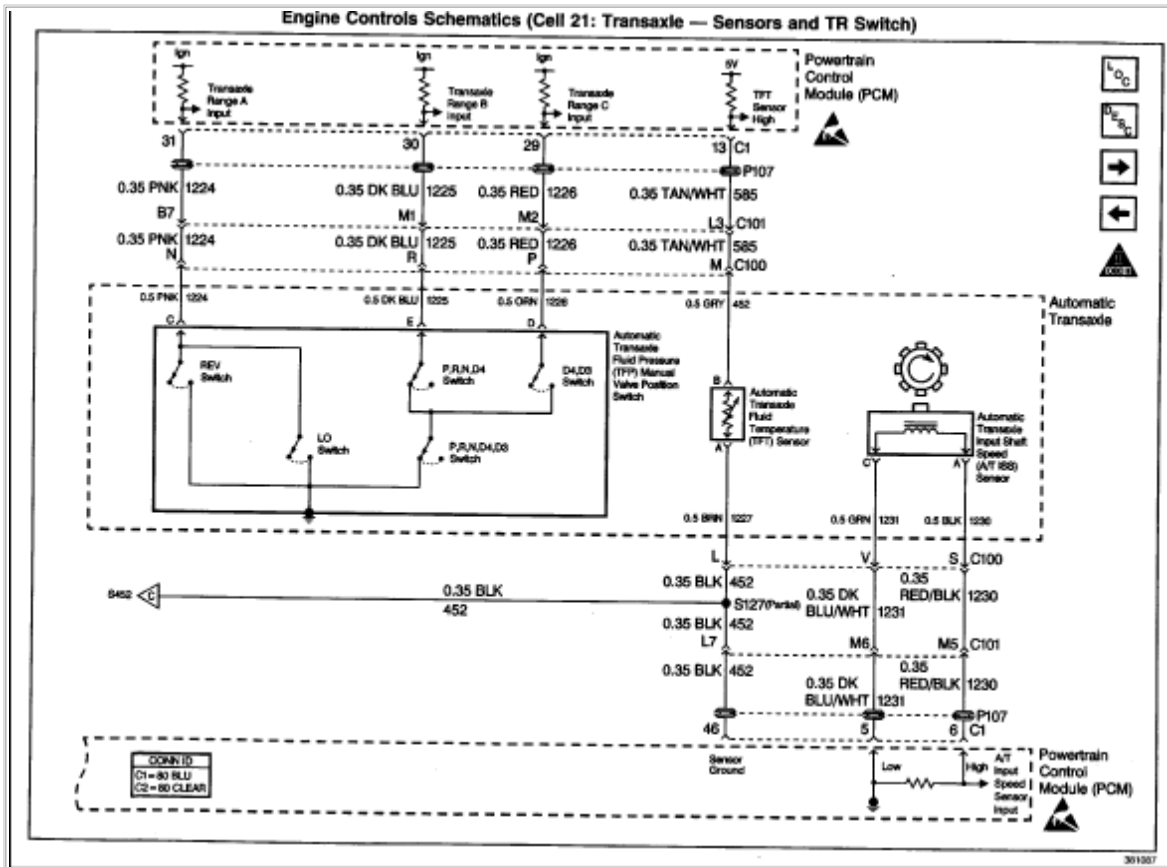
Engine Oil Level Switch, Generator, EBTCM



Zoom

Sized for Print

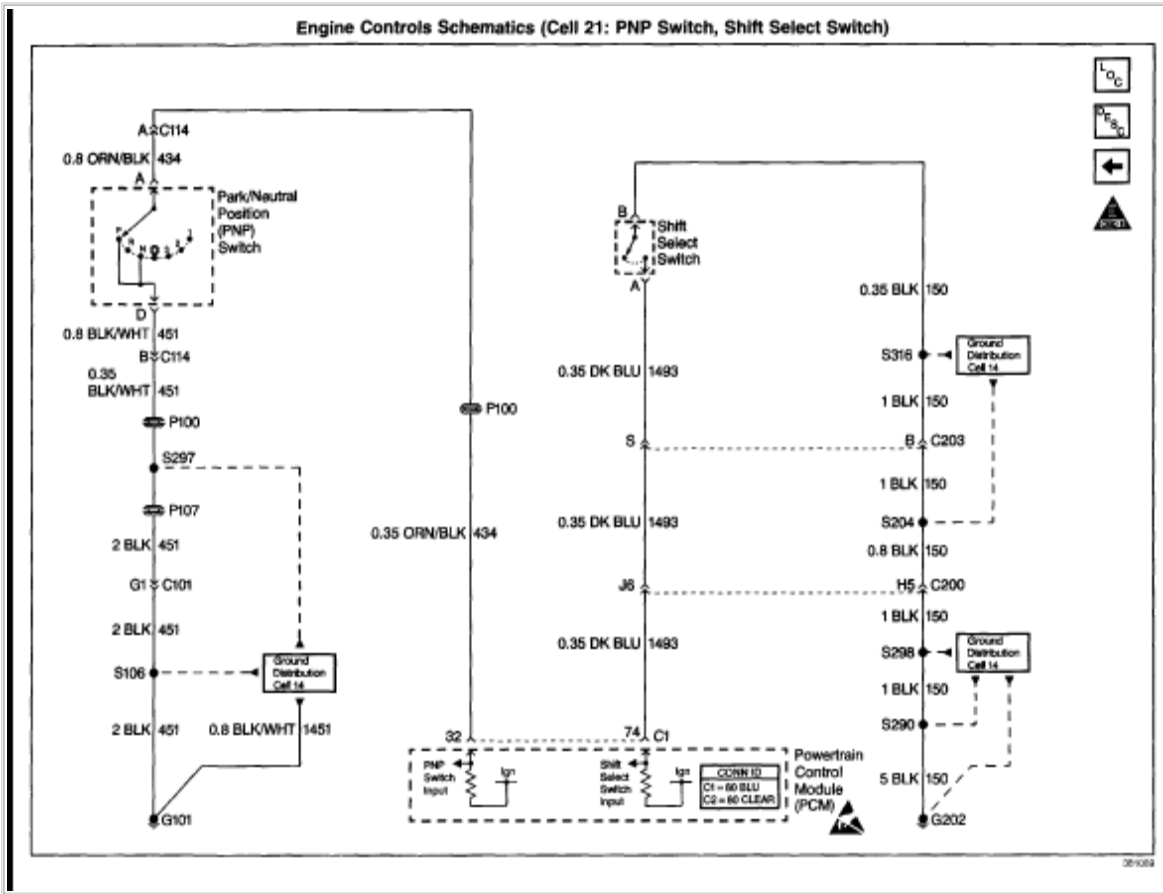
TCC Switch, Transaxle Solenoids



Zoom

Sized for Print

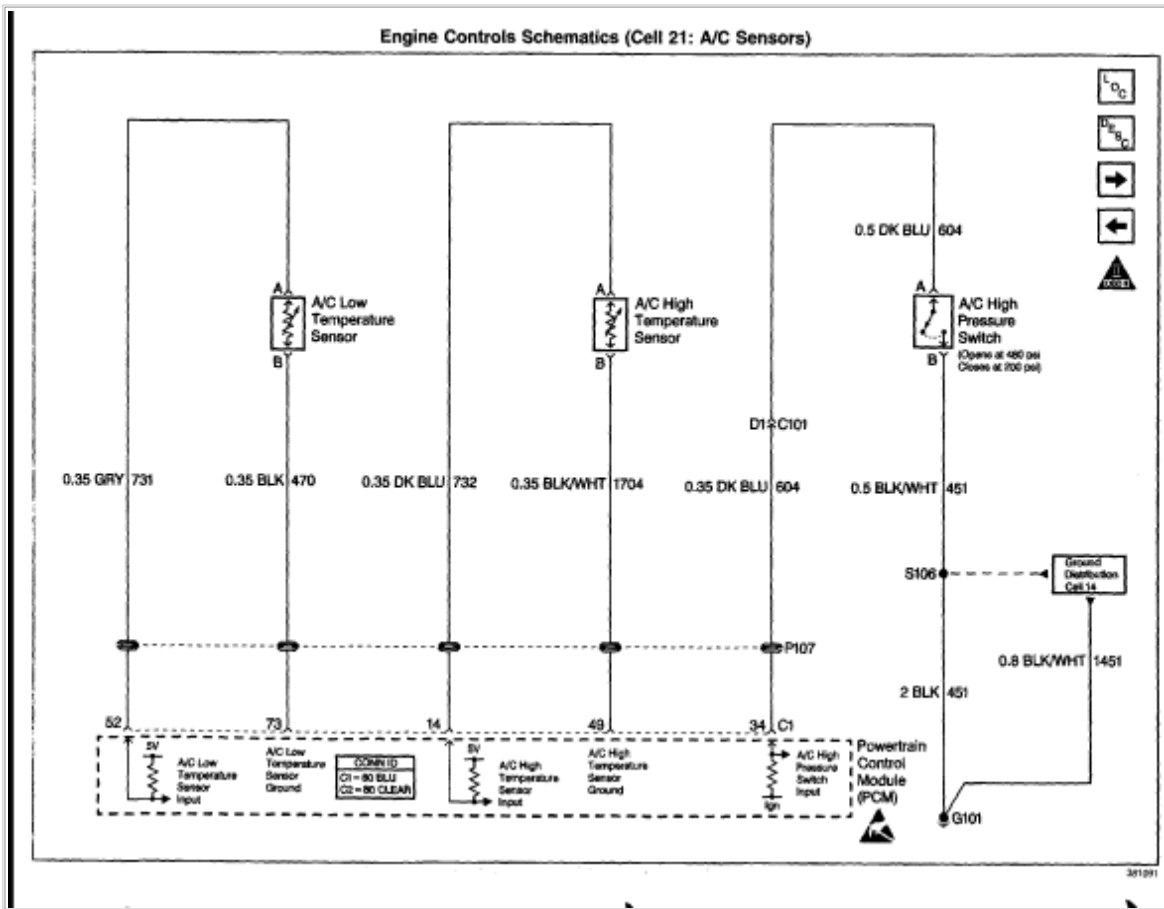
Transaxle - Sensors and TR Switch



Zoom

Sized for Print

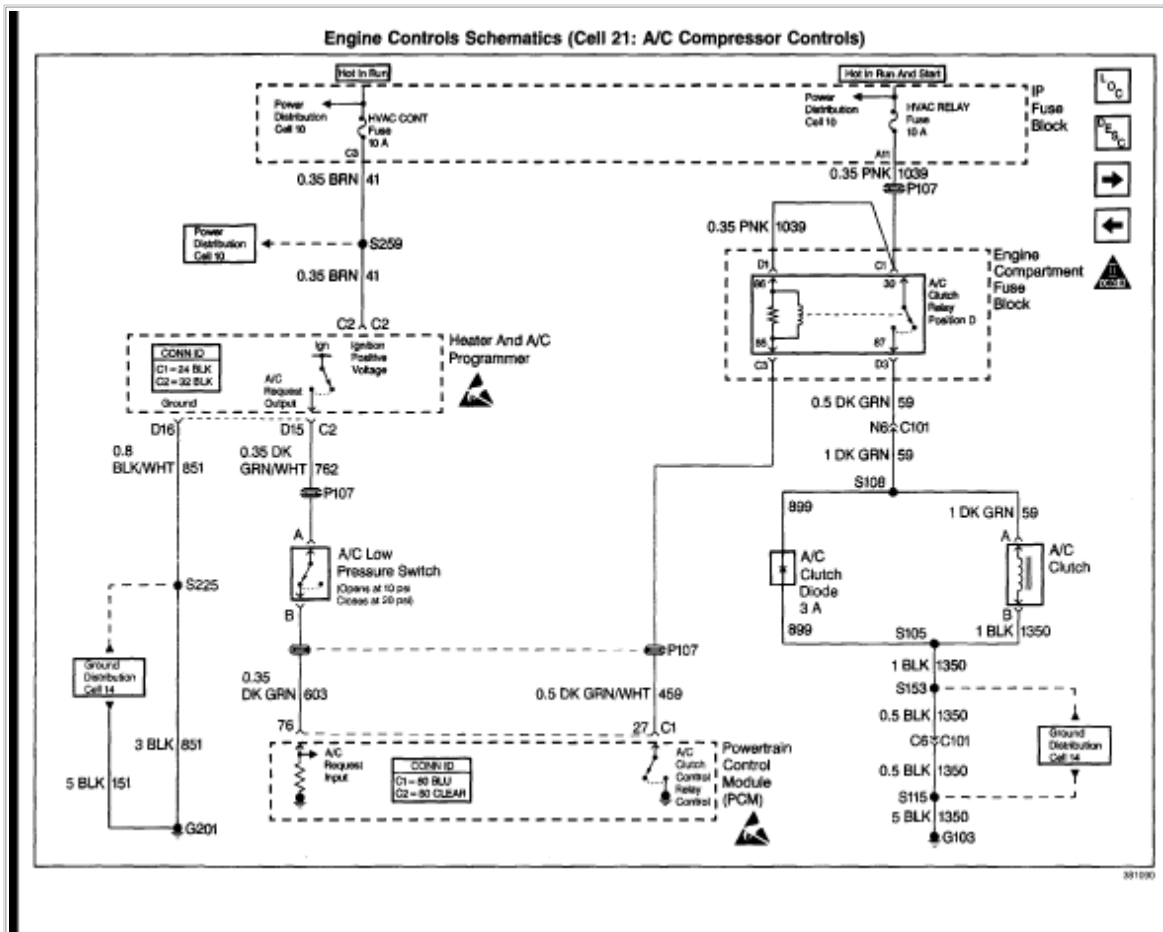
[PNP Switch](#), Shift Select Switch



Zoom

Sized for Print

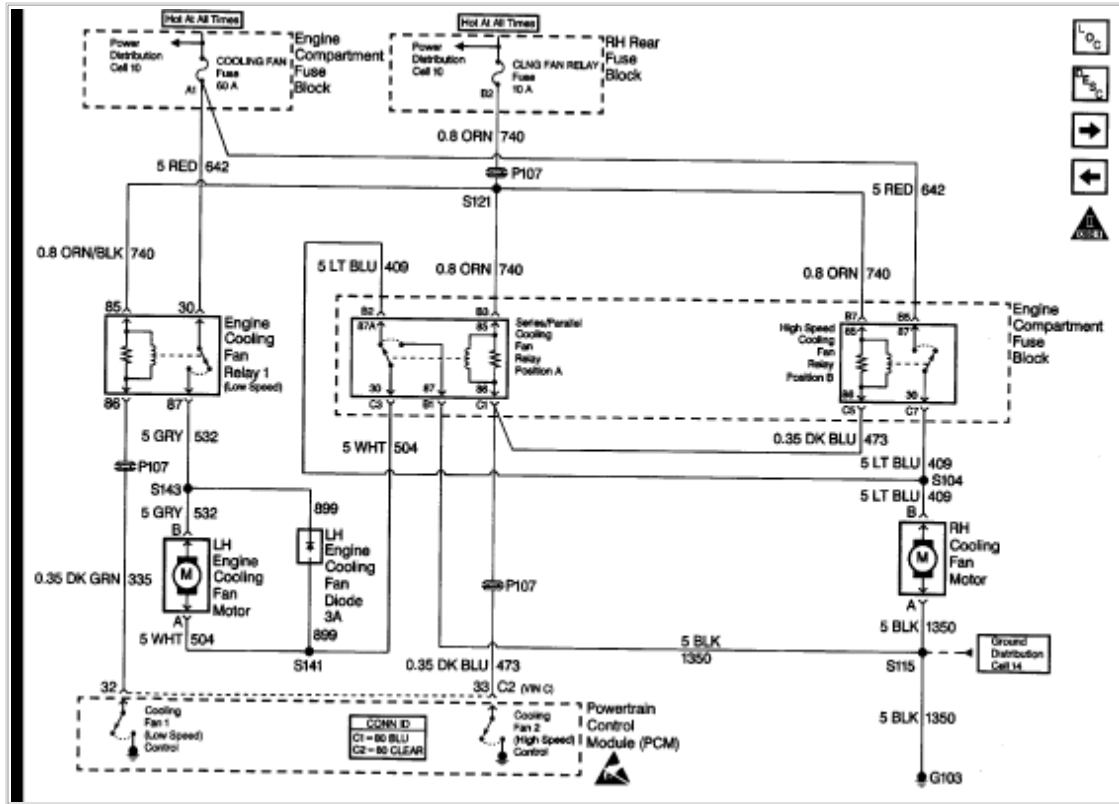
A/C Sensors



Zoom

Sized for Print

A/C Compressor Controls



Zoom

Sized for Print

### Cooling Fans

© 2008 ALldata LLC. All rights reserved.  
[Terms of Use](#)