

Wheel Speed Sensor: Service and Repair

Rear Wheel Antilock Brake System

REMOVAL

1. Raise vehicle on hoist.
2. Remove brake line mounting nut and remove the brake line from the sensor stud.

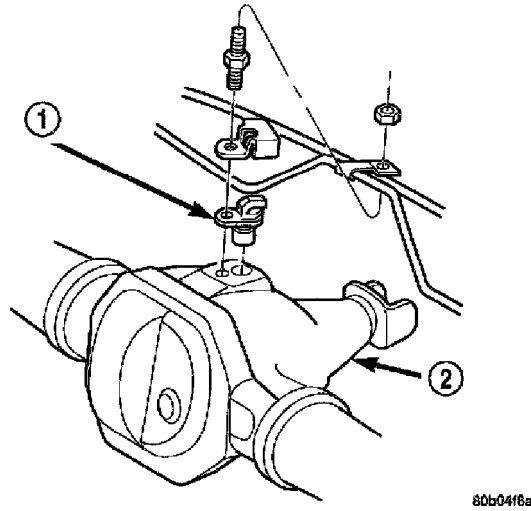


Fig. 11 Rear Speed Sensor Mounting

- 1 - WHEEL SPEED SENSOR
2 - AXLE

3. Remove mounting stud from the sensor and shield.
4. Remove sensor and shield from differential housing.
5. Disconnect sensor wire harness and remove sensor.

INSTALLATION

1. Connect harness to sensor. Be sure seal is securely in place between sensor and wiring connector.
2. Install O-ring on sensor (if removed).
3. Insert sensor in differential housing.
4. Install sensor shield.
5. Install the sensor mounting stud and tighten to **24 Nm (18 ft. lbs.)**.
6. Install the brake line on the sensor stud and install the nut.
7. Lower vehicle.