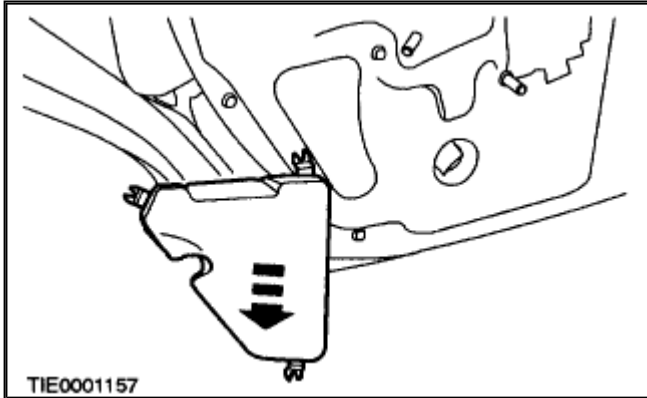


Rear Door Window Regulator

[Notes](#)

REMOVAL

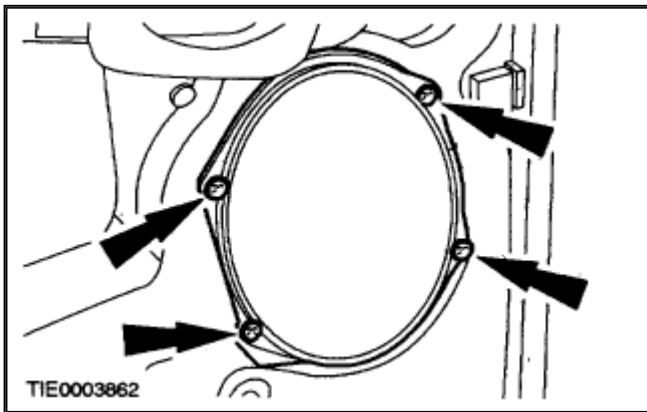
1. Lower the window glass until it is half down.
2. Remove the door trim panel.



Zoom

Sized for Print

3. Remove the side impact bolster.

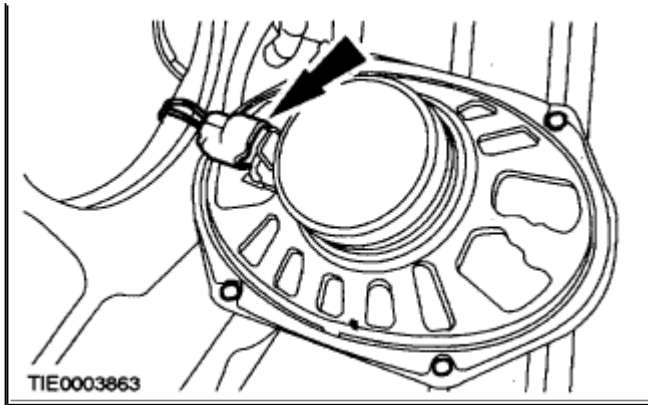


Zoom

Sized for Print

4. Remove the door speaker (if equipped).

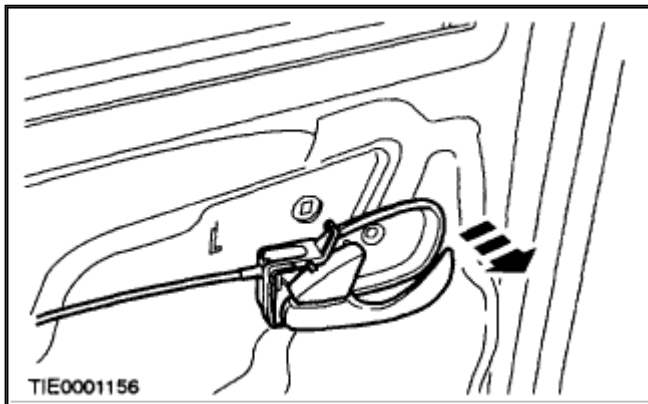




Zoom

Sized for Print

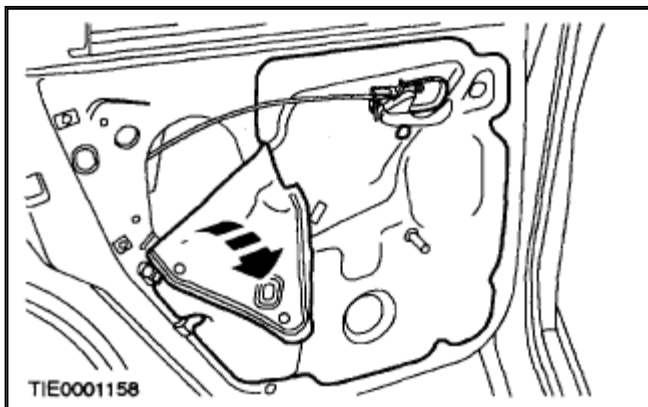
5. Disconnect the speaker electrical connector.



Zoom

Sized for Print

6. Detach the door latch release handle.



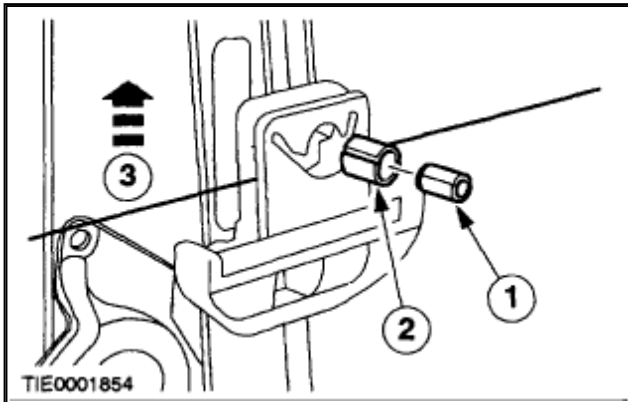
Zoom

Sized for Print

7. Detach the watershield.

- Using a plastic knife (disposable cutlery), cut through the Butyl strip to enable the watershield to be peeled back.

CAUTION: Do not touch the adhesive surface as re-bonding will be impaired.

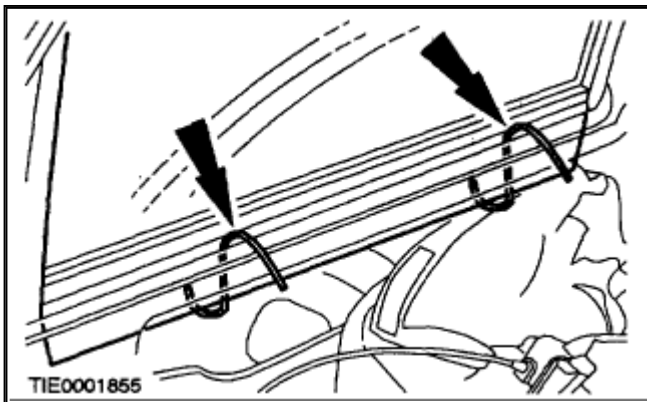


Zoom

Sized for Print

8. Detach the window glass from the regulator.

 1. Push out the pin.
 2. Push out the sleeve.
 3. Remove the window glass from the regulator clamp.

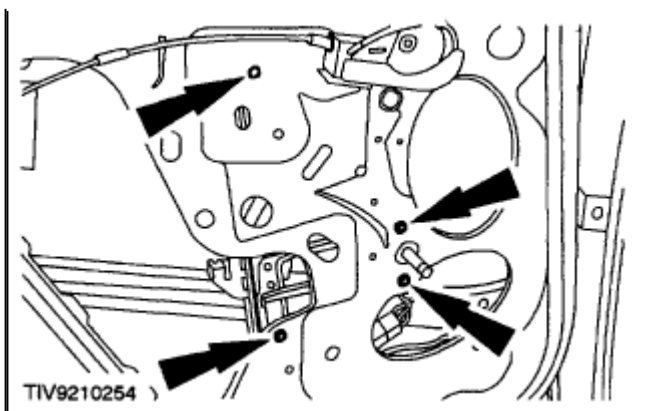


Zoom

Sized for Print

9. Using suitable hooks, raise and secure the window glass. **CAUTION: Make sure the window glass is adequately supported at the top of the opening.**



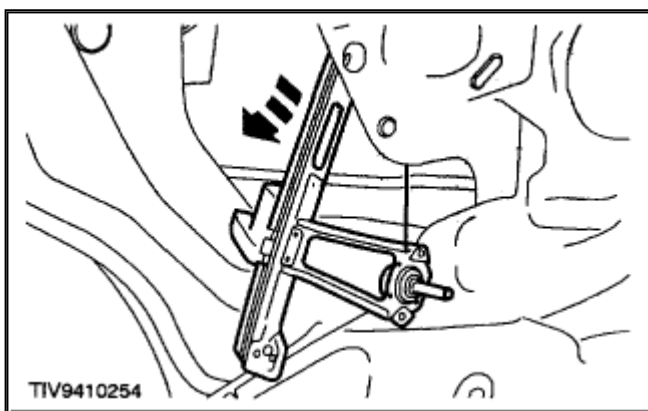


Zoom

Sized for Print

10. Detach the regulator.

- Remove the screws.

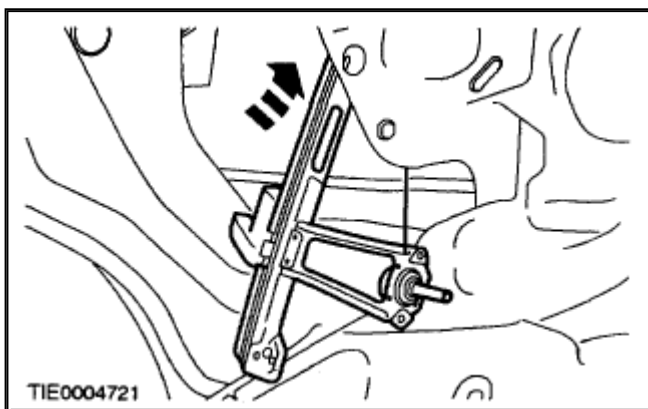


Zoom

Sized for Print

11. Remove the regulator.

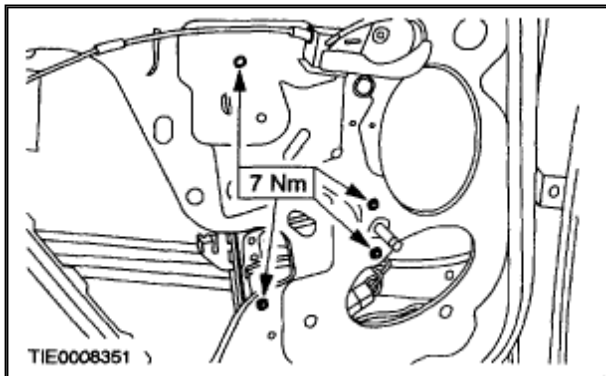
INSTALLATION



Zoom

Sized for Print

1. Position the regulator in the door.

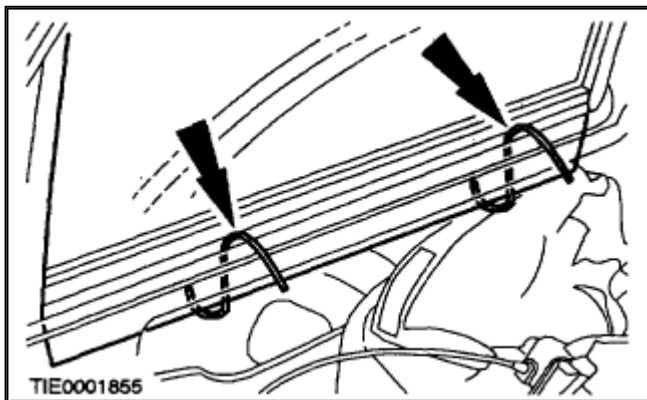


Zoom

Sized for Print

2. Install the regulator.

- Install the screws.

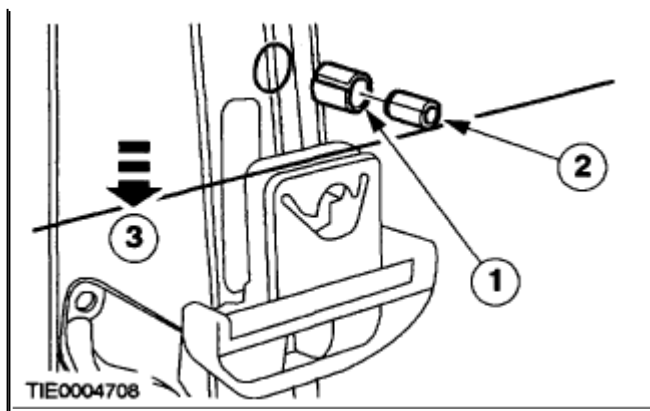


Zoom

Sized for Print

3. Remove the hooks. **CAUTION: Make sure the window glass is adequately supported at the top of the opening.**



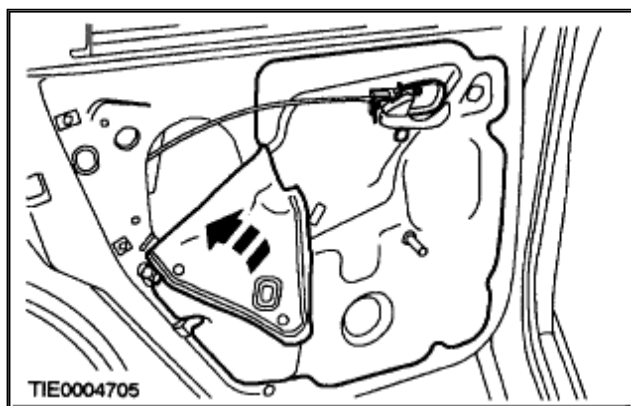


Zoom

Sized for Print

4. Attach the window glass to the regulator clamp.

1. Push in the sleeve.
2. Push in the pin.
3. Push the window glass firmly down to engage the pin into the regulator clamp.

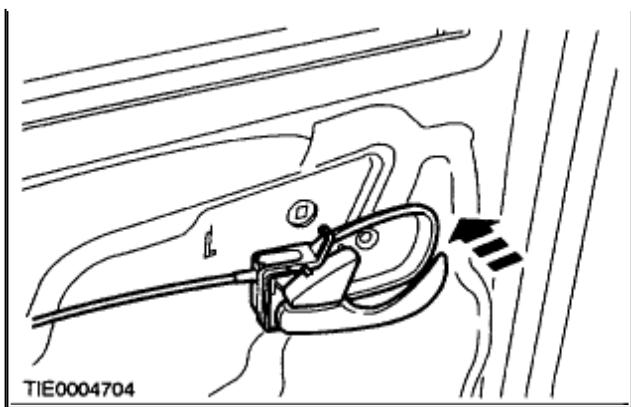


Zoom

Sized for Print

5. Attach the watershield.

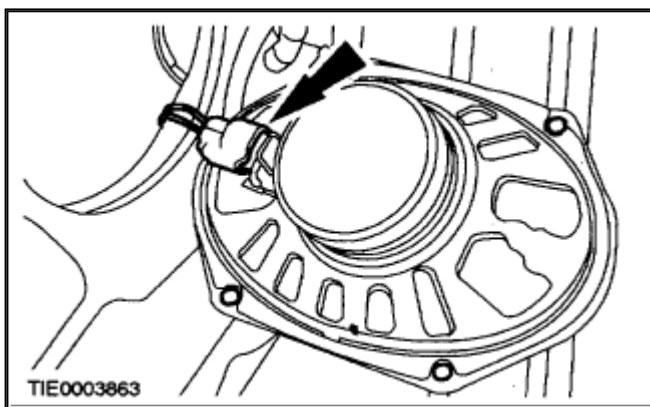




Zoom

Sized for Print

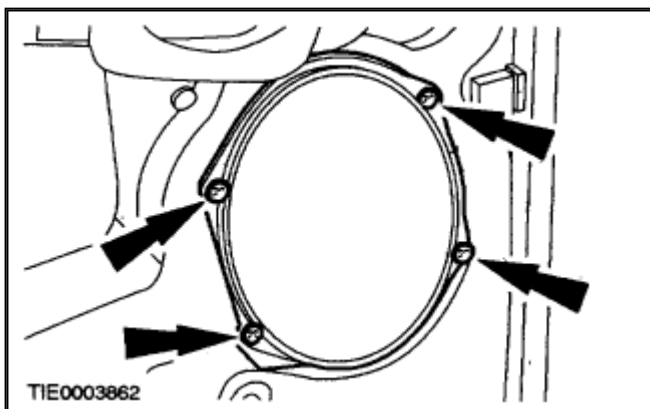
6. Attach the door latch release handle.



Zoom

Sized for Print

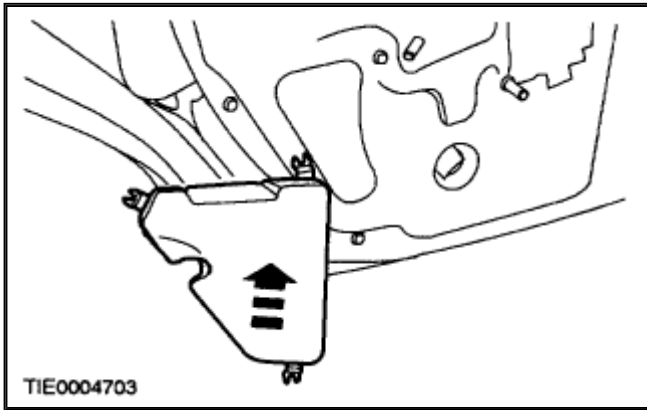
7. Connect the door speaker electrical connector.



Zoom

Sized for Print

8. Install the door speaker.



Zoom

Sized for Print

9. Install the side impact bolster.
10. Install the door trim panel.