

## Oil Pan (Upper Part) and Oil Pan (Lower Part), Removing and Installing

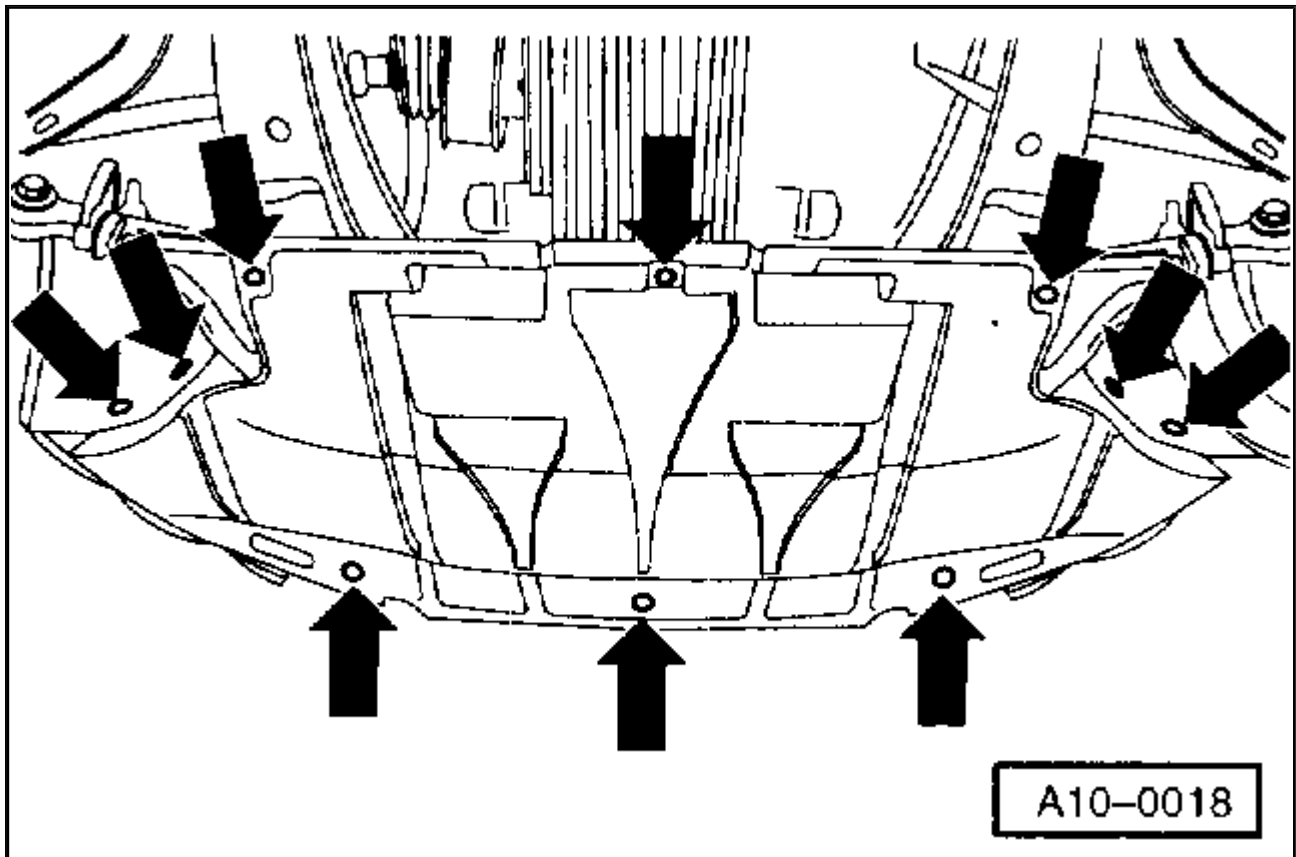
- Vehicles up to VIN 8D-W-005 000

### Special tools and equipment

- Drill with plastic brush attachment
- Silicon sealant D 176 404 A2
- Torque wrench 10 Nm/45 Nm
- Switch ignition off and disconnect battery Ground (**GND**) strap.

**CAUTION:** Before disconnecting the battery, determine the correct coding for the anti-theft radio.

- Withdraw dipstick.
- Unbolt dipstick tube on cylinder head, pull up and remove.



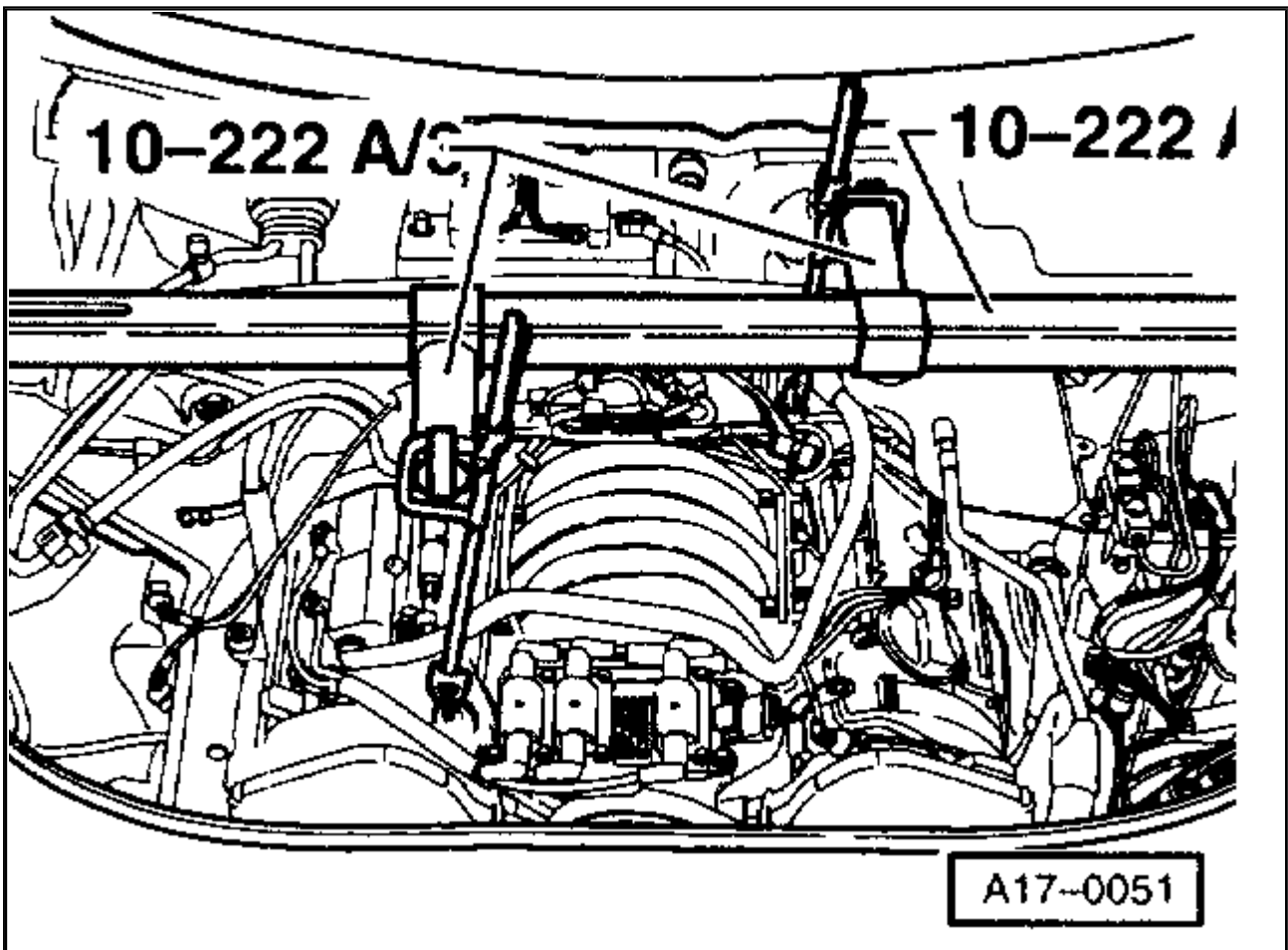
Zoom

Sized for Print

- Remove noise insulation panel (arrows).
- Lock carrier in service position. Refer to Engine, disassembling and assembling.
- Drain engine coolant.
- Drain engine oil into appropriate receptacle.

### Vehicles with automatic transmission

- Unbolt oil line bracket from right-side of oil pan.

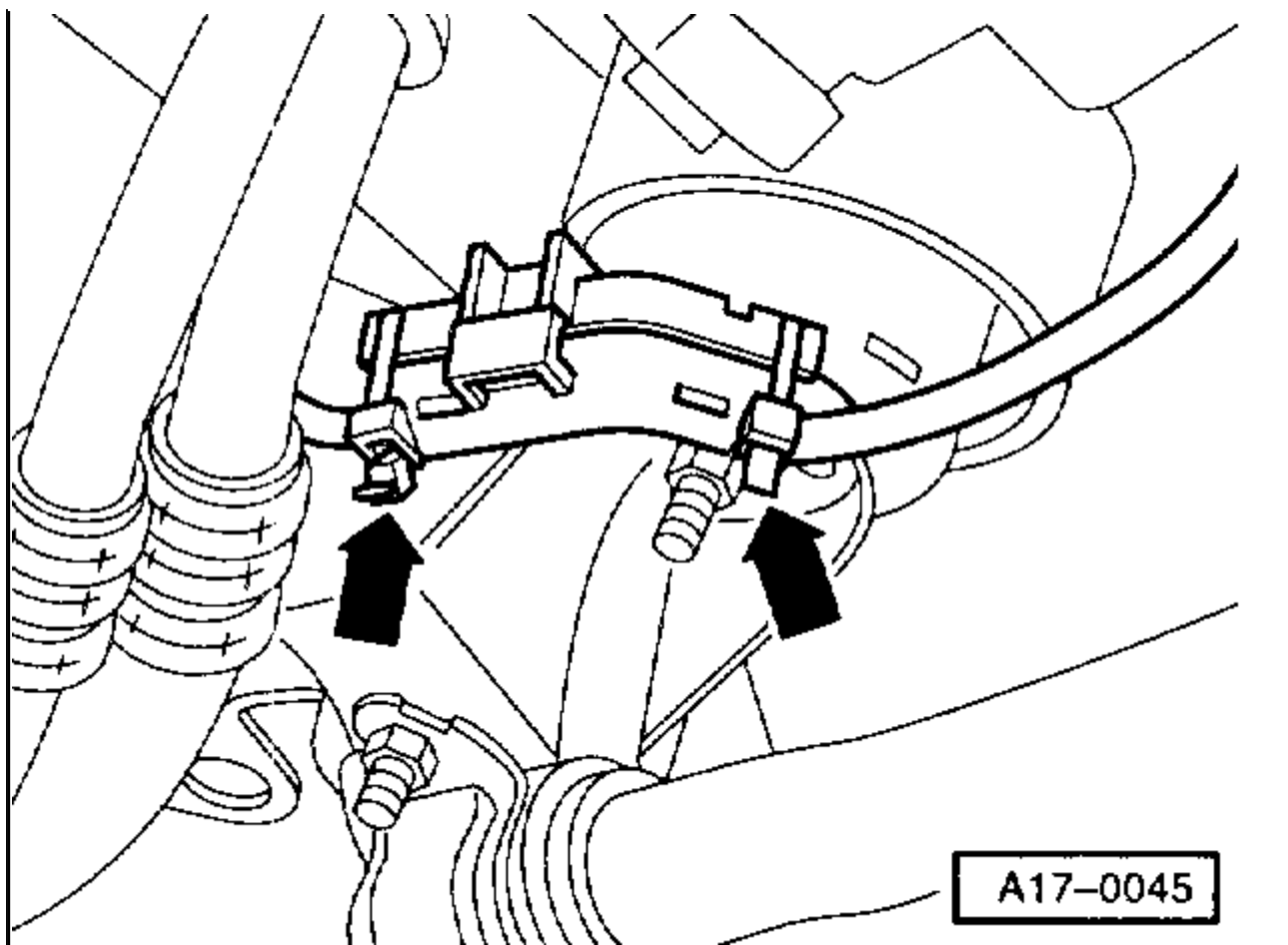


Zoom

Sized for Print

- Set 10-222A engine support bridge together with 10-222A/3 engine support adapter on fender mounting edges.
- Attach 2024A engine sling to mounting eyes at front and rear of engine.
- Using 10-222A engine support bridge spindle, lift up engine as far as possible.

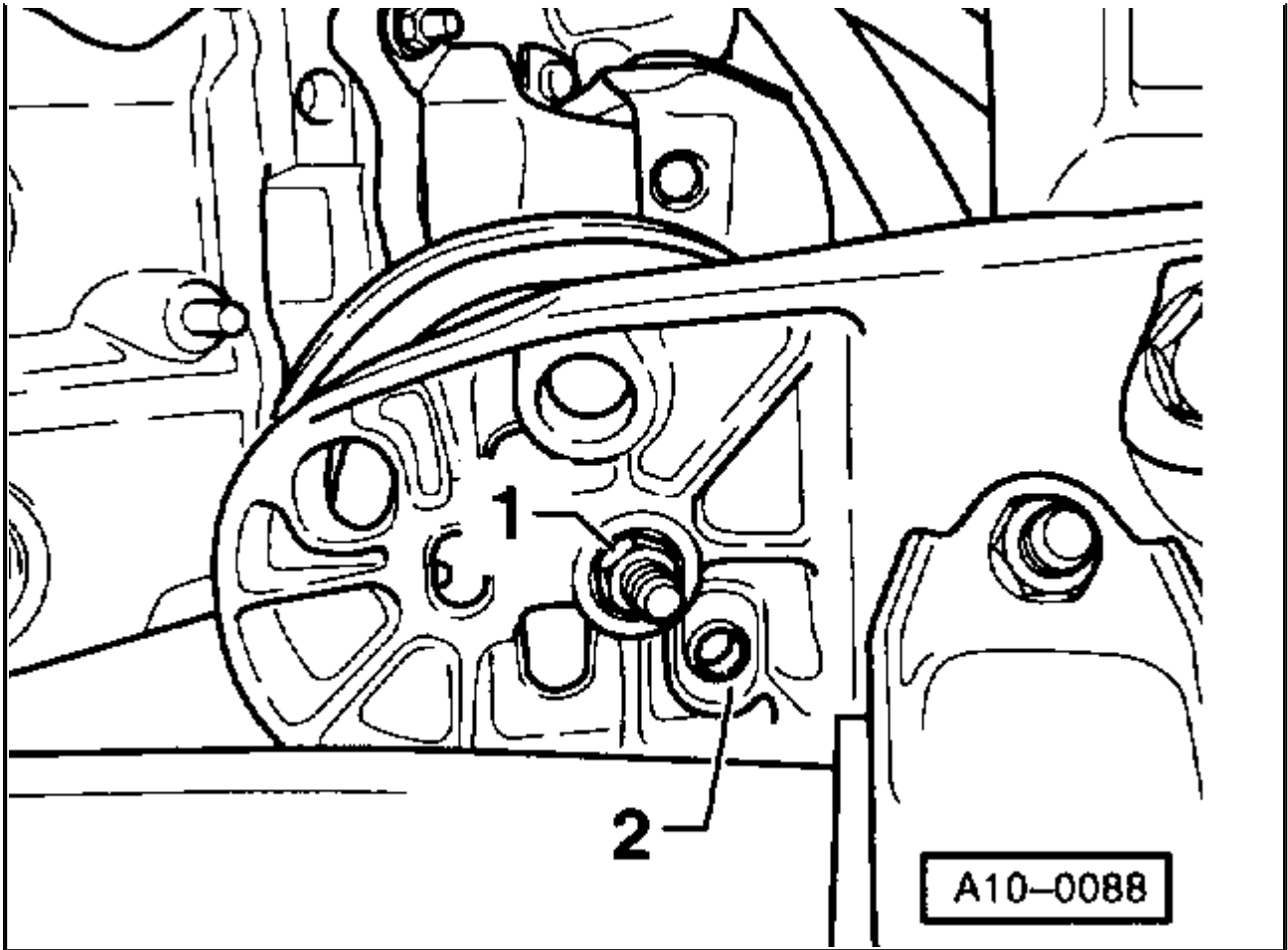




Zoom

Sized for Print

- Cut tie wraps (arrows), open bracket for starter wiring and remove wiring.
- Remove torque support at front of engine.
- Unbolt coolant line at front of engine from oil pan.
- Disconnect harness connector from [oil pressure switch](#) on left-side of oil pan.
- Disconnect coolant lines from [oil cooler](#) underneath [oil filter](#).

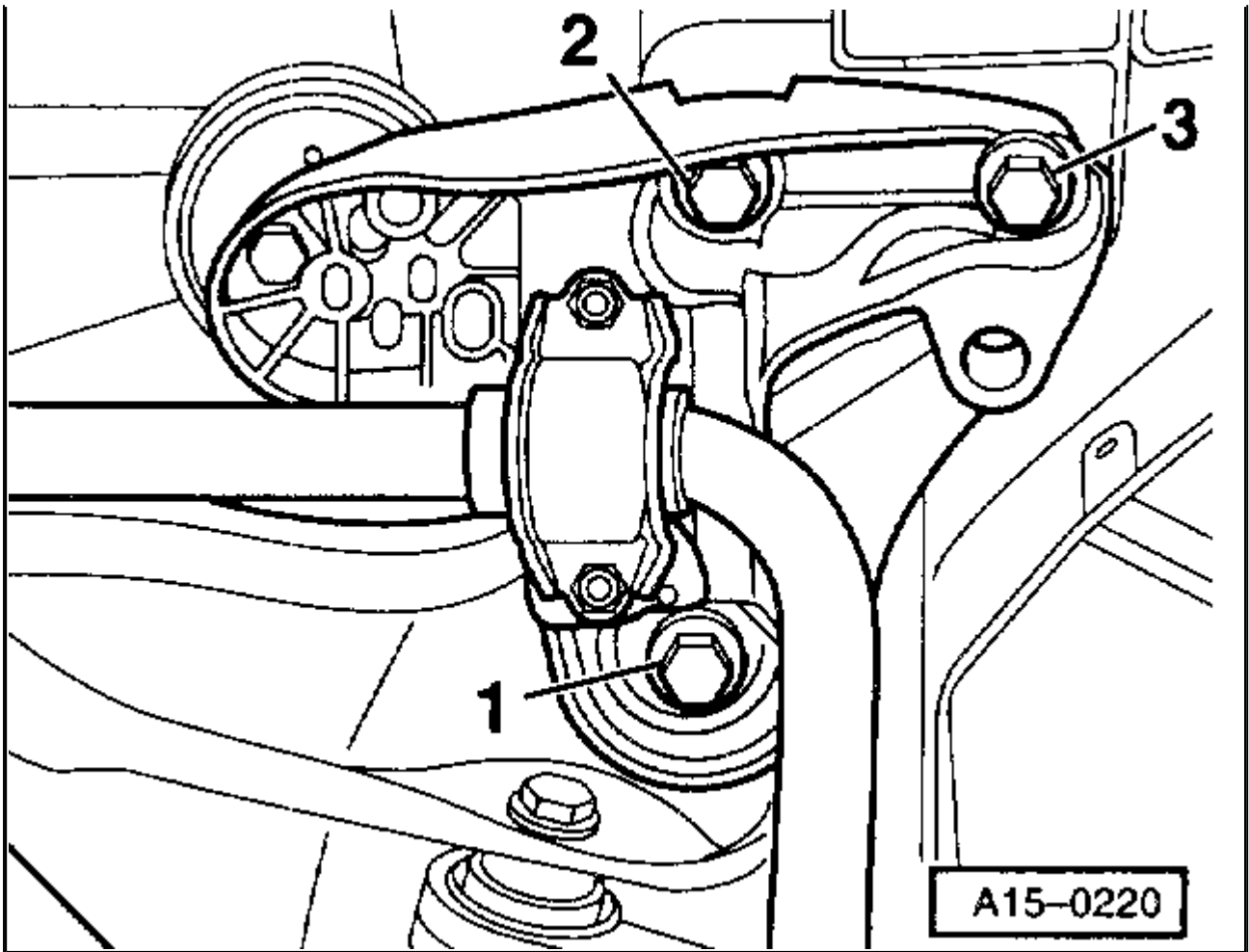


Zoom

Sized for Print

- Remove left and right nuts from lower [engine mount](#) -1-.
- Mark installation positions for threaded assembly -1- and guide sleeves -2- on left and right lower engine mounts.





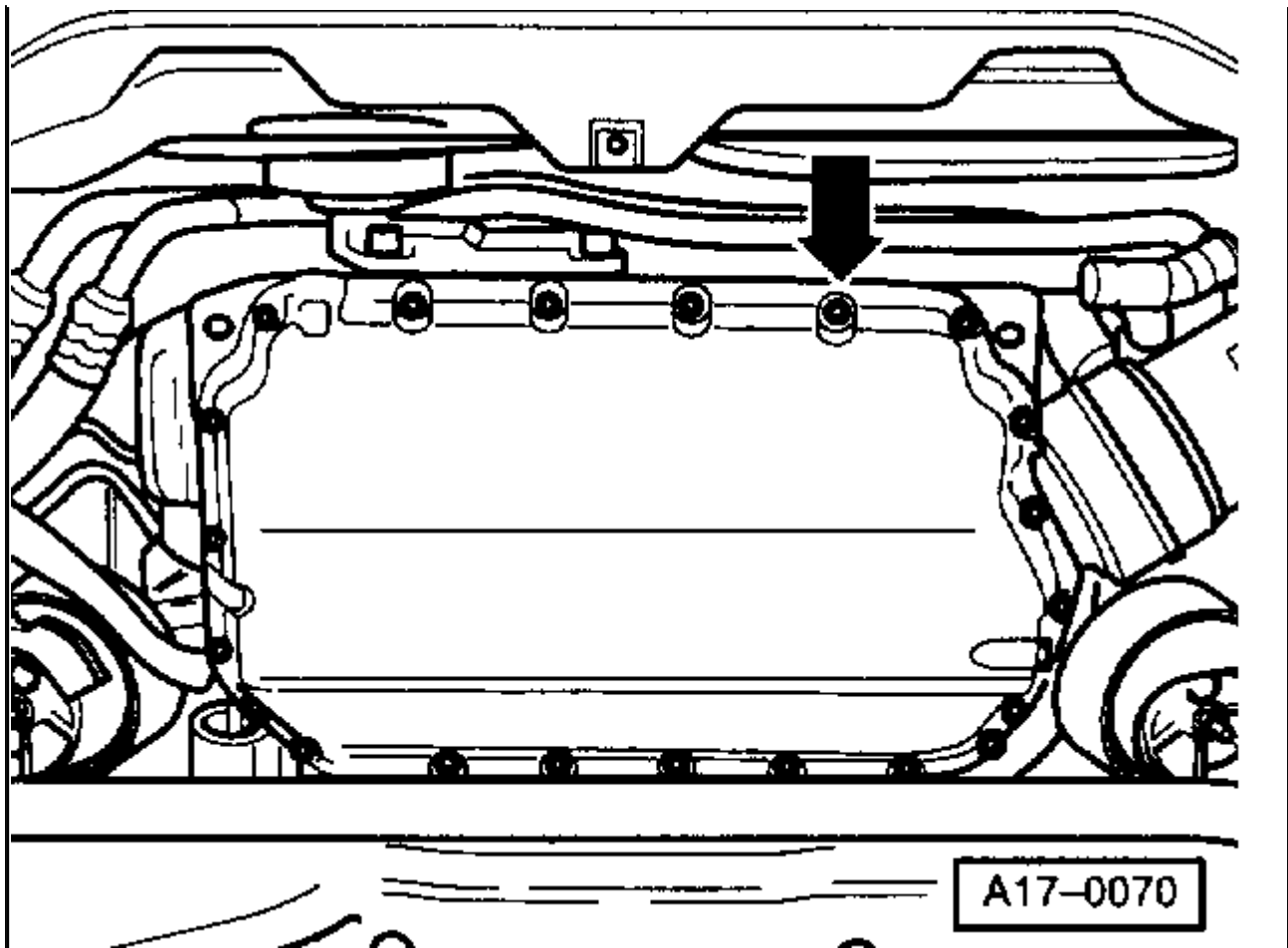
Zoom

Sized for Print

- First remove front bolts -2- and -3- from left and right sides of subframe. Then remove bolts -4-.
- Swing stabilizer down.
- Remove starter.

**Note:** Only loosen or lower subframe at front to avoid changing wheel alignment.



[Zoom](#)[Sized for Print](#)

Oil pan (lower part), removing. Refer to Oil pan (upper part) and oil pan (lower part), removing and installing.

- Remove bolts between oil pan (upper part) and transmission.
- Unbolt oil pan (upper part) from engine.

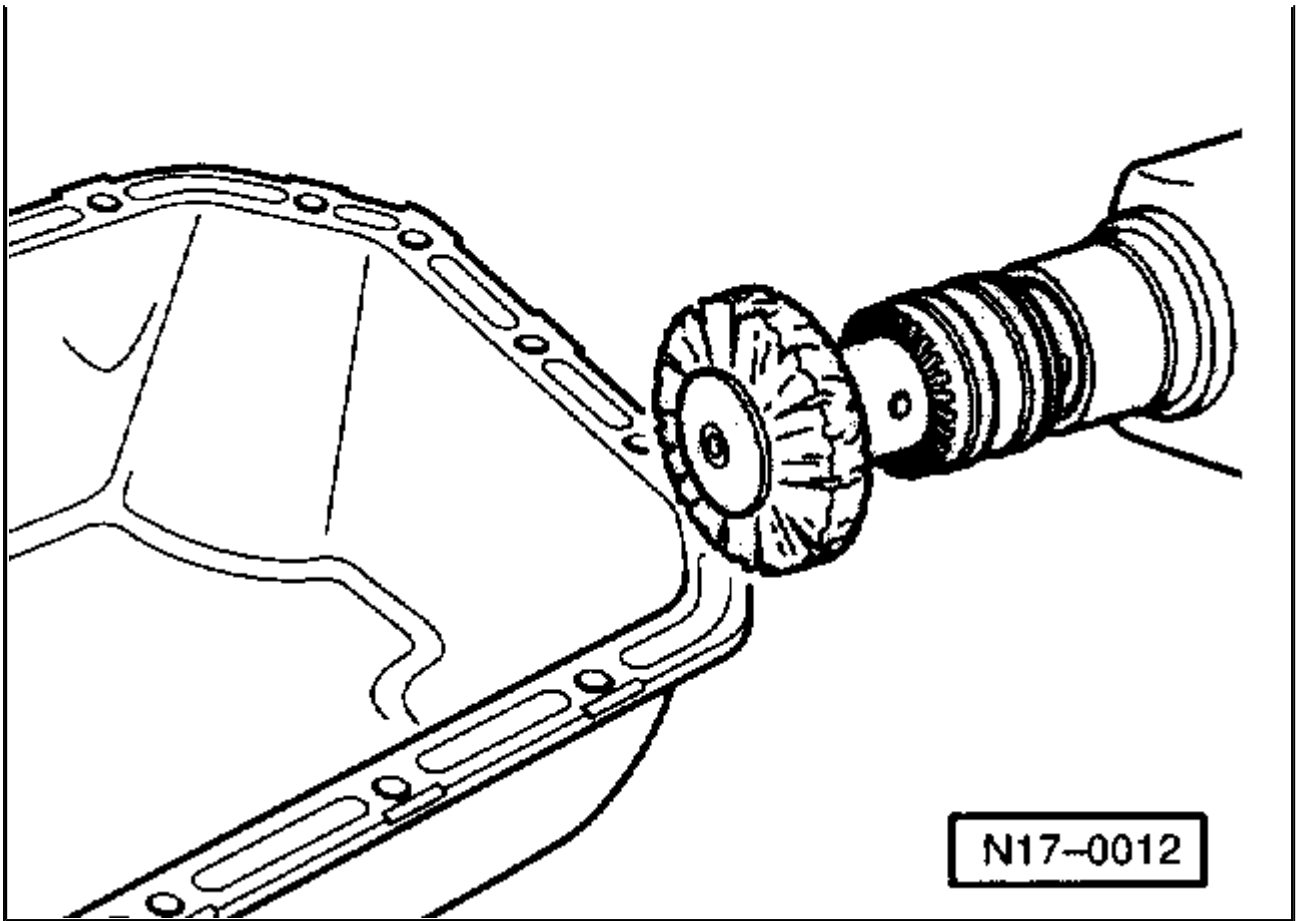
**Note:** Two M6 and two M8 bolts are installed vertically in rear of oil pan (upper part) in front of connection between engine and transmission.

### Installing

Installation is the reverse of removal, noting the following:

- Clean sealing surfaces so they are completely free of any oil or grease.

**WARNING: Wear protective glasses.**



Zoom

Sized for Print

- Using rotating plastic brush, remove any remaining sealant from oil pan.
- Before installing oil pan, coat front and rear contact surfaces of oil seal carrier with D 454 300 A2. Tightening torques. Refer to [Oil pump](#), removing.