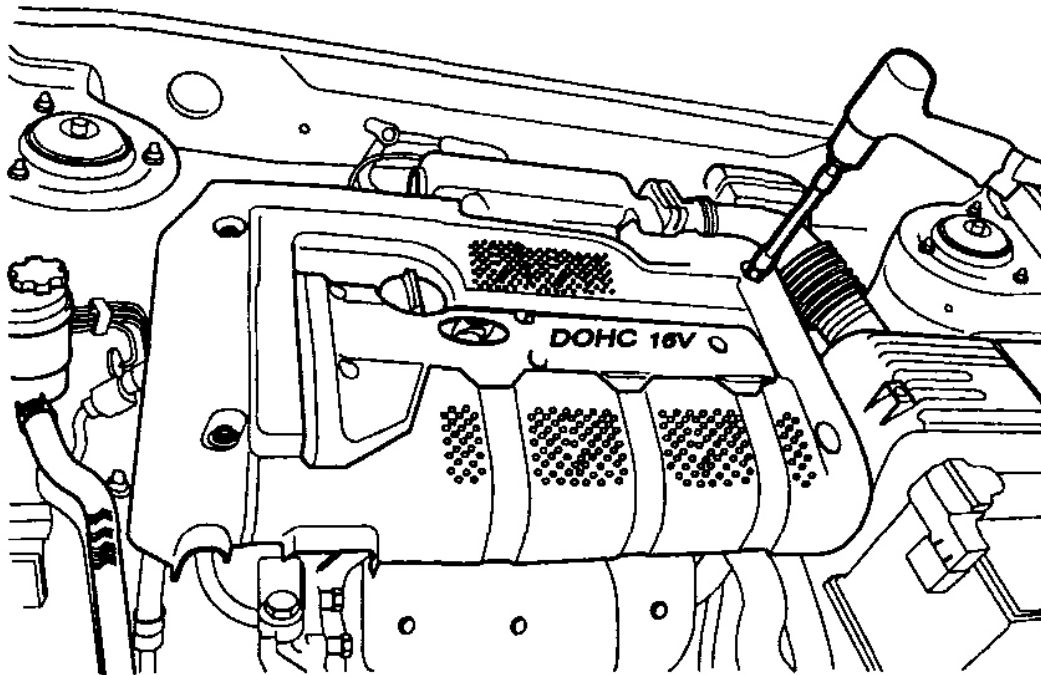


MANUAL TRANSAXLE

REMOVAL

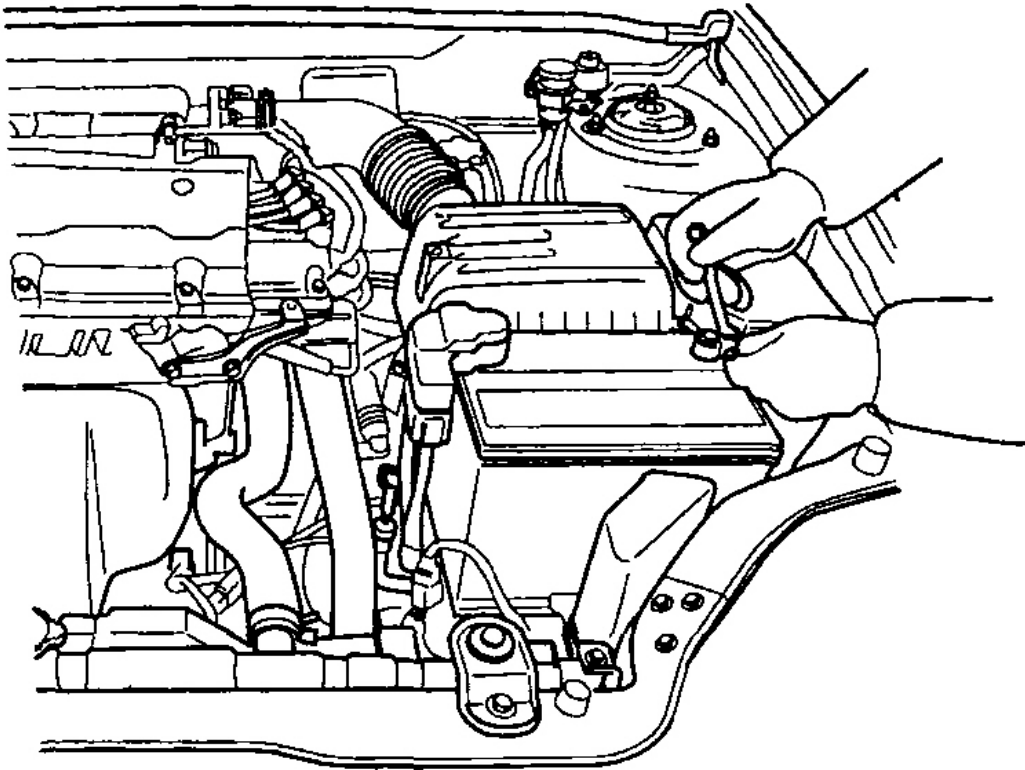
1. Remove the engine cover.



G03849657

Fig. 4: Removing Engine Cover
Courtesy of HYUNDAI MOTOR CO.

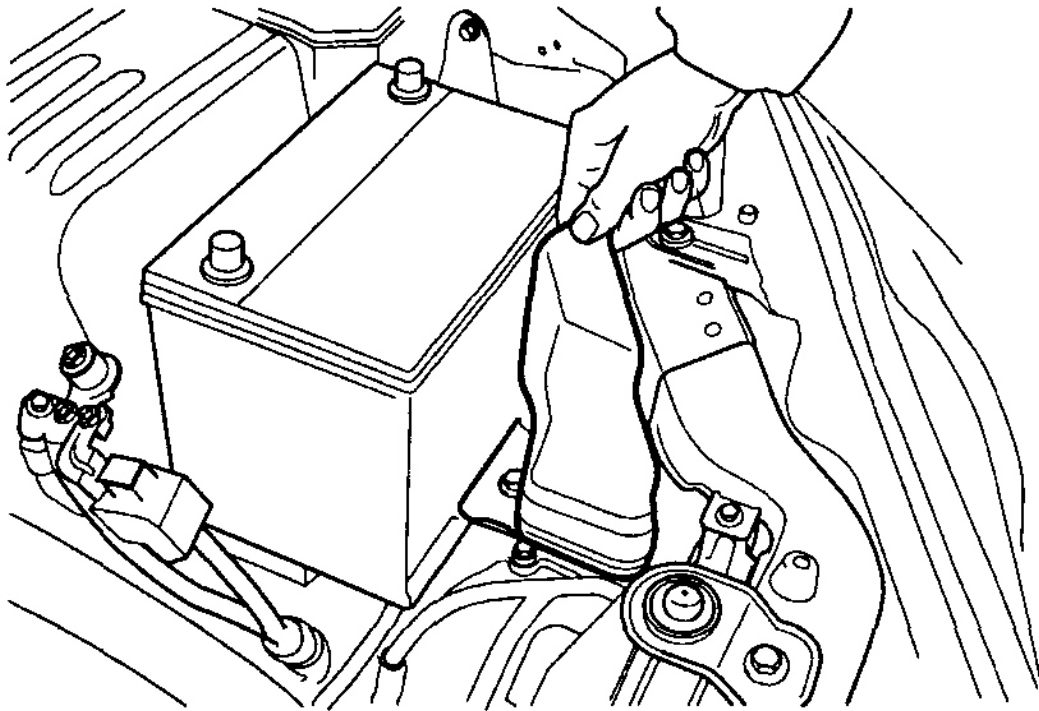
2. Remove the battery terminal.



G03849658

Fig. 5: Removing Battery Terminal
Courtesy of HYUNDAI MOTOR CO.

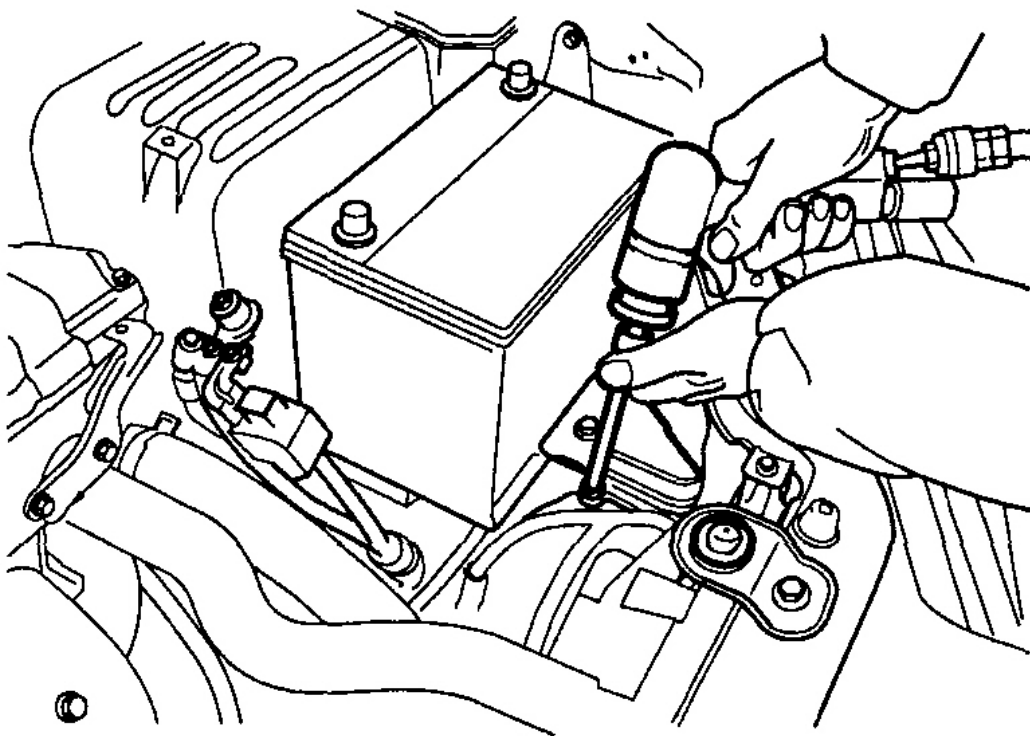
3. Remove the air duct.



G03849659

Fig. 6: Removing Air Duct
Courtesy of HYUNDAI MOTOR CO.

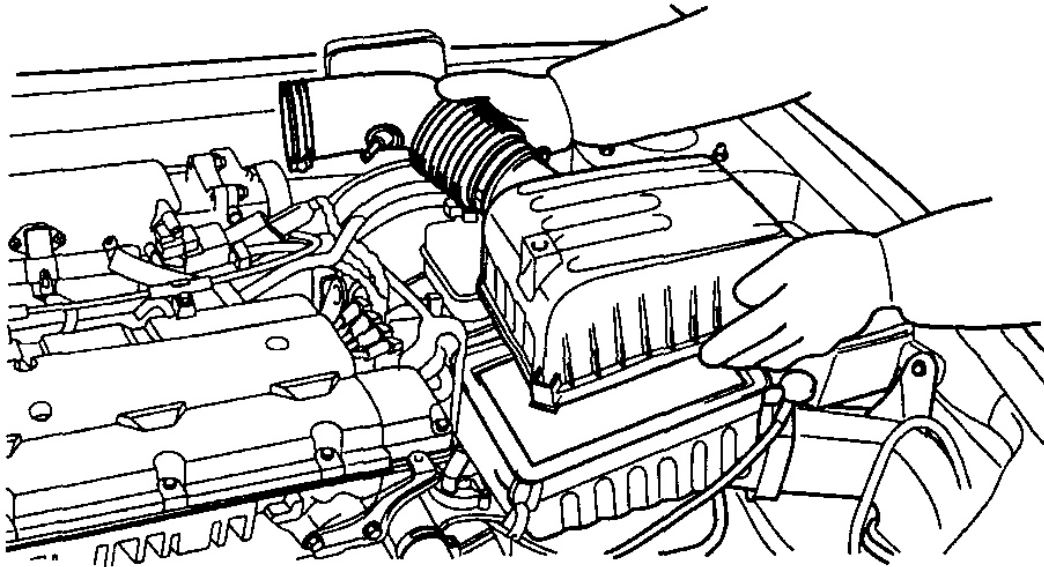
4. Remove the battery tray.



G03849660

Fig. 7: Removing Battery Tray
Courtesy of HYUNDAI MOTOR CO.

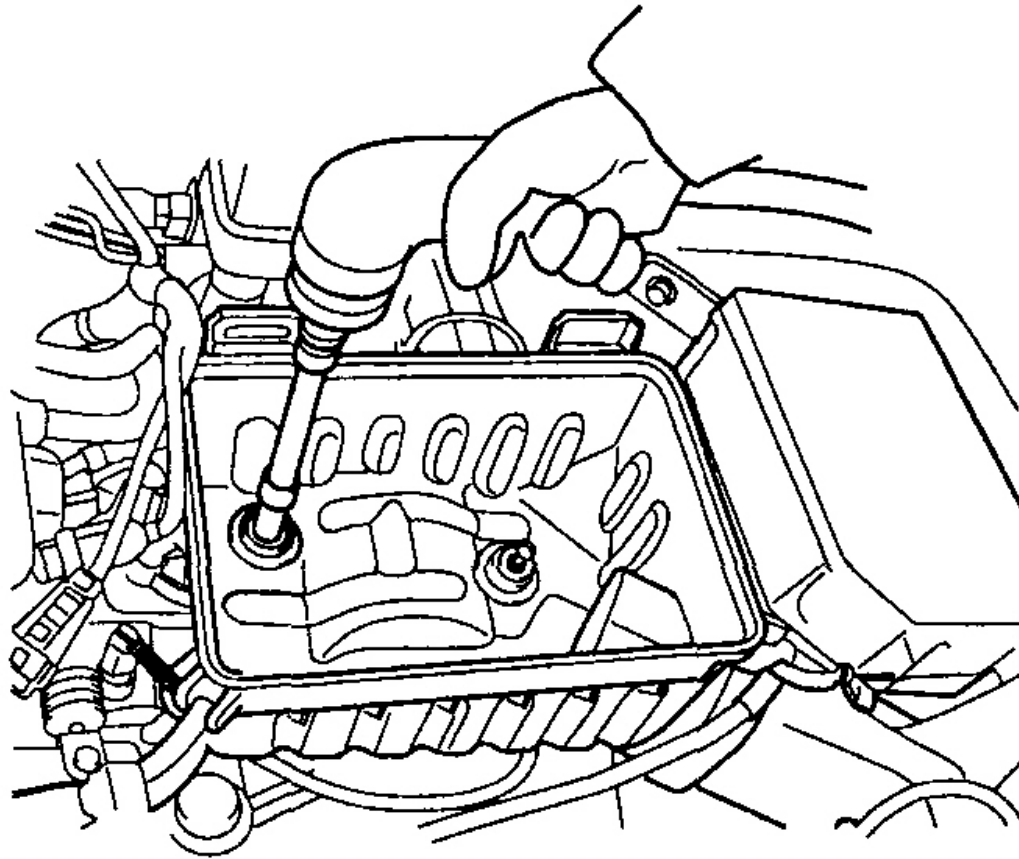
5. Remove the air cleaner.
 1. Upper



G03849661

Fig. 8: Removing Air Cleaner (Upper)
Courtesy of HYUNDAI MOTOR CO.

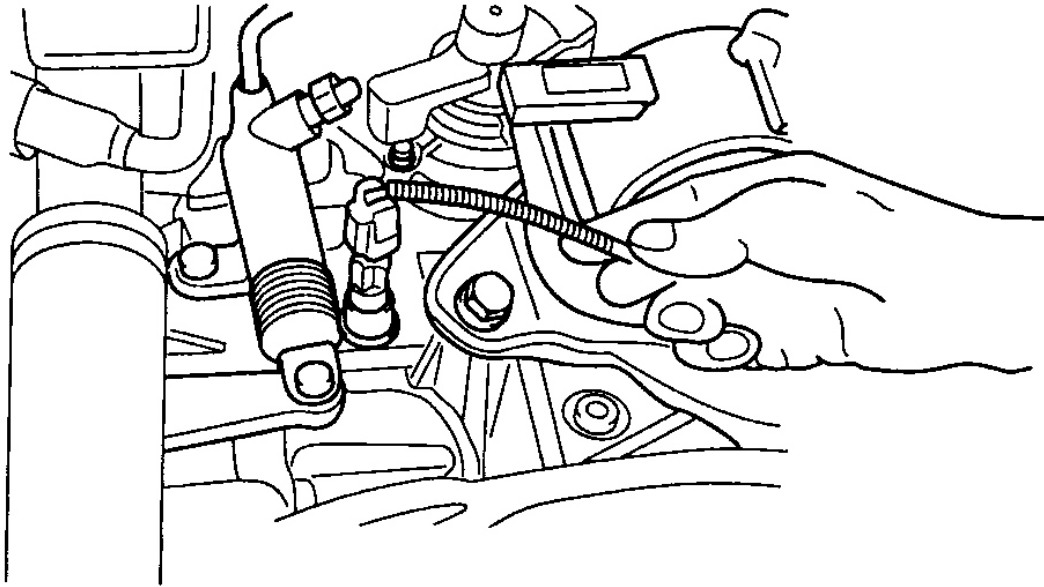
2. Lower



G03849662

Fig. 9: Removing Air Cleaner (Lower)
Courtesy of HYUNDAI MOTOR CO.

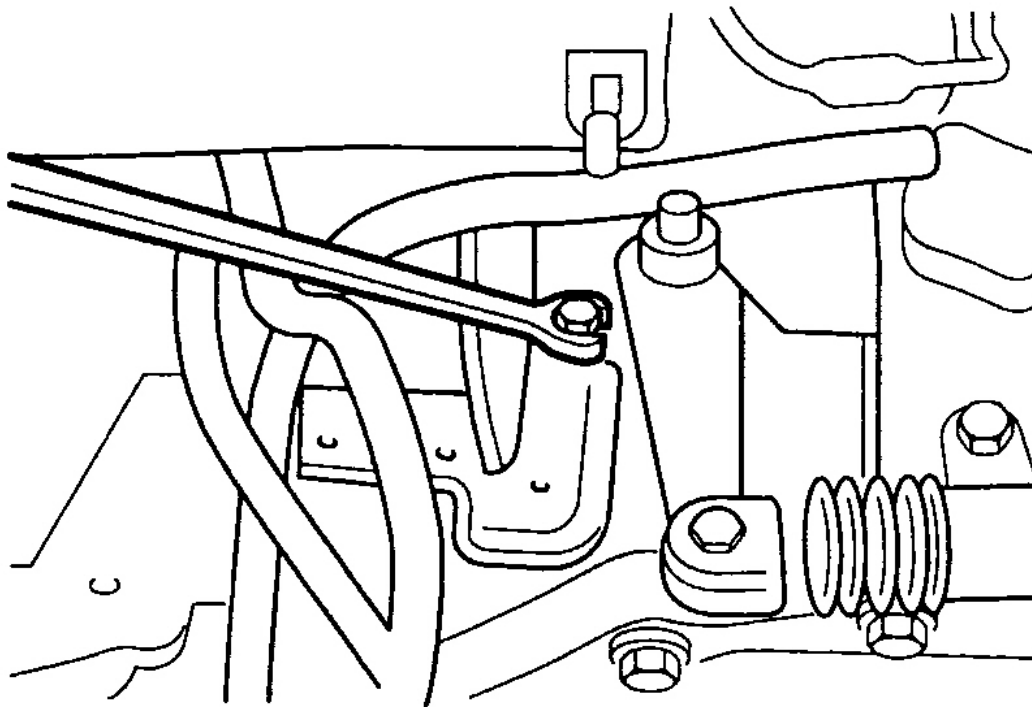
6. Remove the back-up lamp switch



G03849663

Fig. 10: Removing Back-Up Lamp Switch
Courtesy of HYUNDAI MOTOR CO.

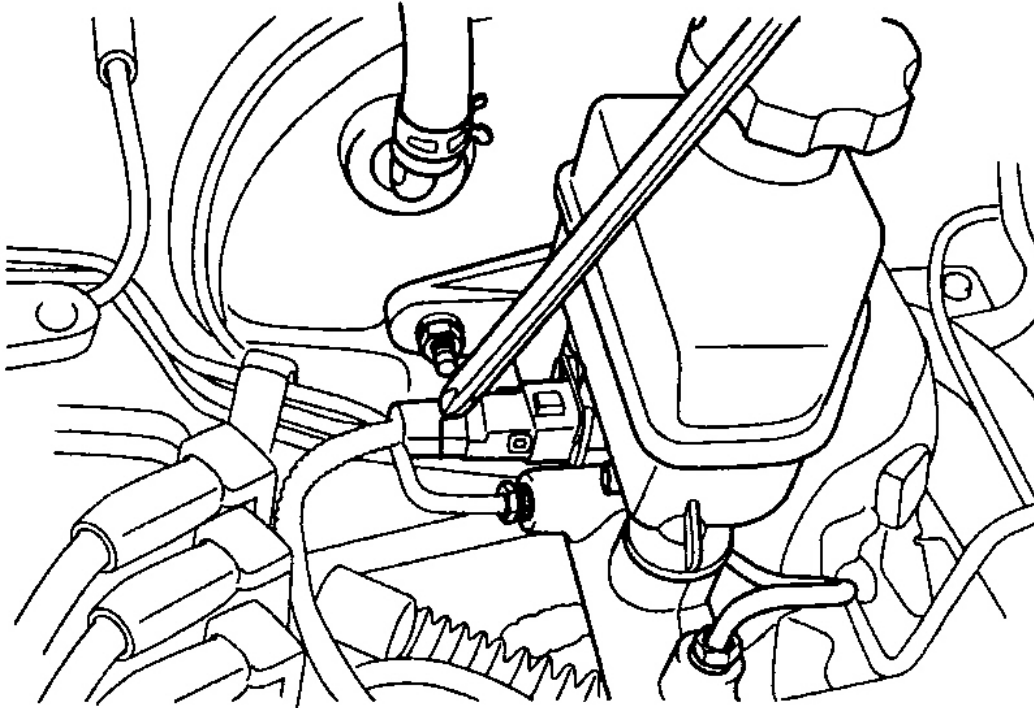
7. After removing the CKP sensor, O2 sensor and oil pressure switch wiring bracket, separate the connectors.



G03849664

Fig. 11: Removing CKP Sensor, O2 Sensor And Oil Pressure Switch Wiring Bracket
Courtesy of HYUNDAI MOTOR CO.

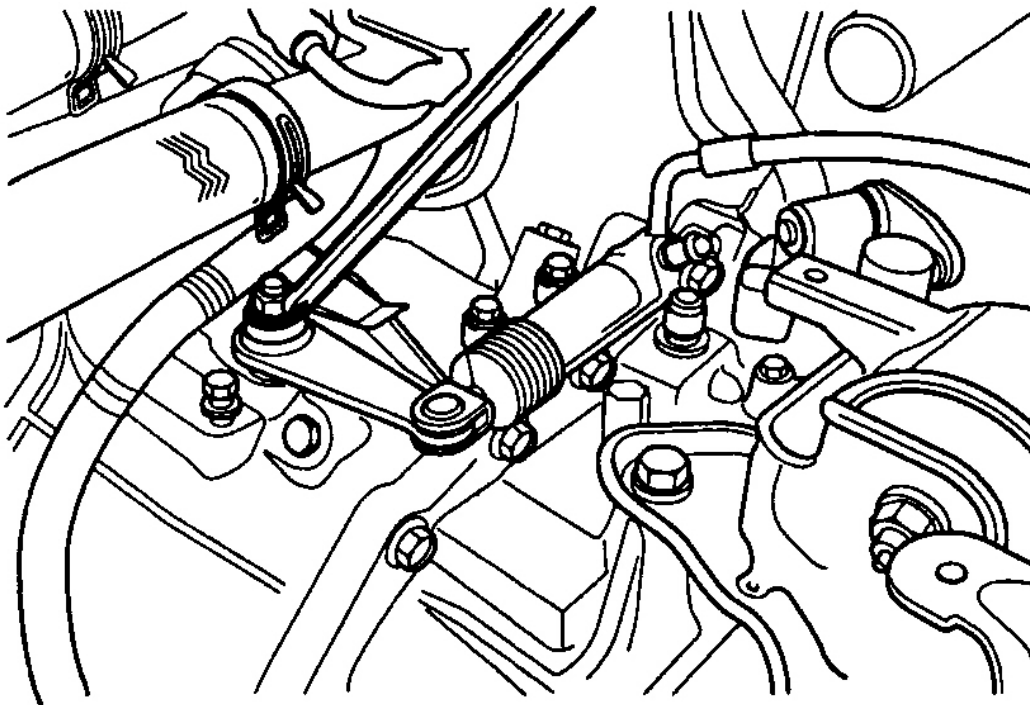
8. Remove the brake fluid leveling sensor connector.



G03849665

Fig. 12: Removing Brake Fluid Leveling Sensor Connector
Courtesy of HYUNDAI MOTOR CO.

9. Remove the speedometer driven gear connector.
10. Remove the clutch release cylinder mounting bolt.



G03849666

Fig. 13: Removing Clutch Release Cylinder Mounting Bolt
Courtesy of HYUNDAI MOTOR CO.