

## CENTER CONSOLE REMOVAL/INSTALLATION

### Special Tools Required

KTC trim tool set SOJATP2014\* \*Available through the American Honda Tool and Equipment Program; call 888-424-6857

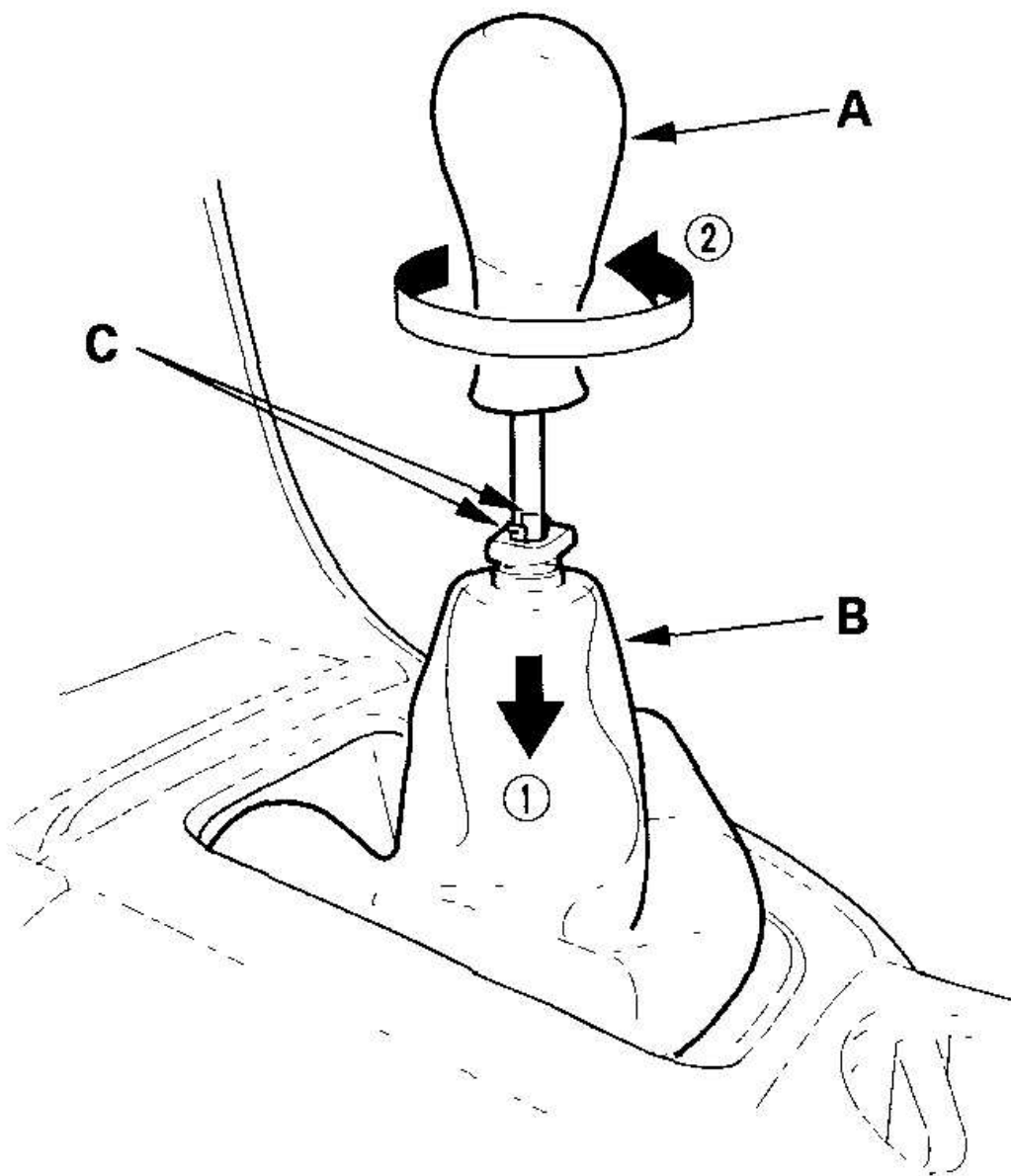
#### NOTE:

- Take care not to scratch the front seat, dashboard, and related parts.
- Use the appropriate tool from the KTC trim tool set to avoid damage when prying components.

1. M/T model: Remove the shift knob (A).

-1 Lower the shift lever boot (B) to release the hooks (C) from the knob.

-2 Remove the shift knob.



G03648447

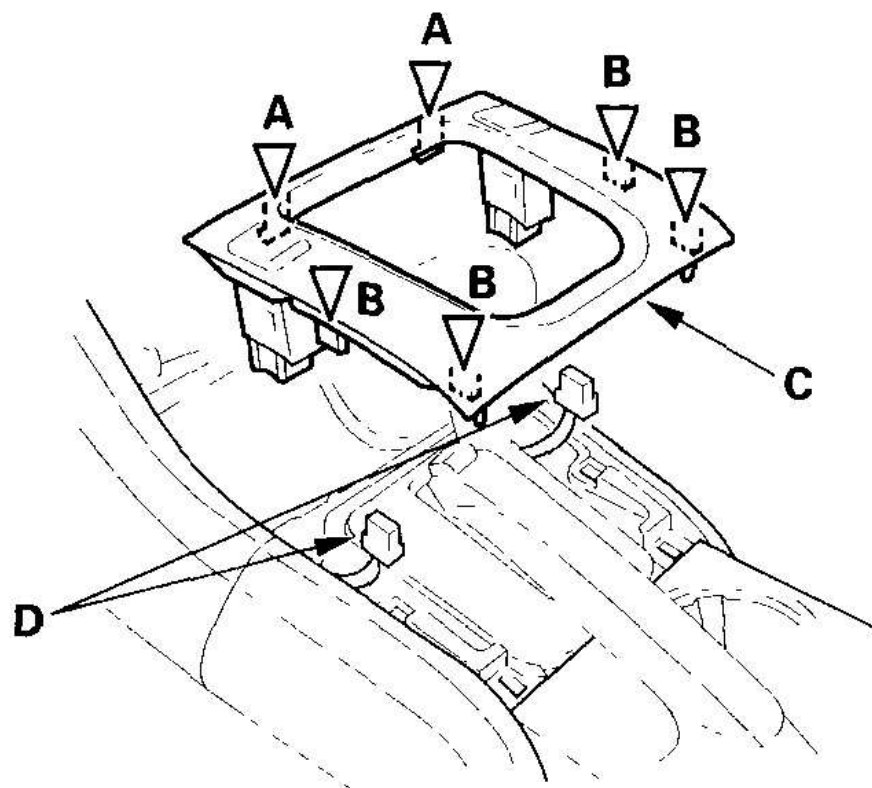
**Fig. 1: Removing Shift Knob (M/T Model)**

Courtesy of AMERICAN HONDA MOTOR CO., INC.

2. Detach the clips (A, B) by pulling the center console front panel (C) up. If equipped, disconnect the seat heater switch connectors (D).

## Fastener Locations

A ▷ : Clip, 2    B ▷ : Clip, 4



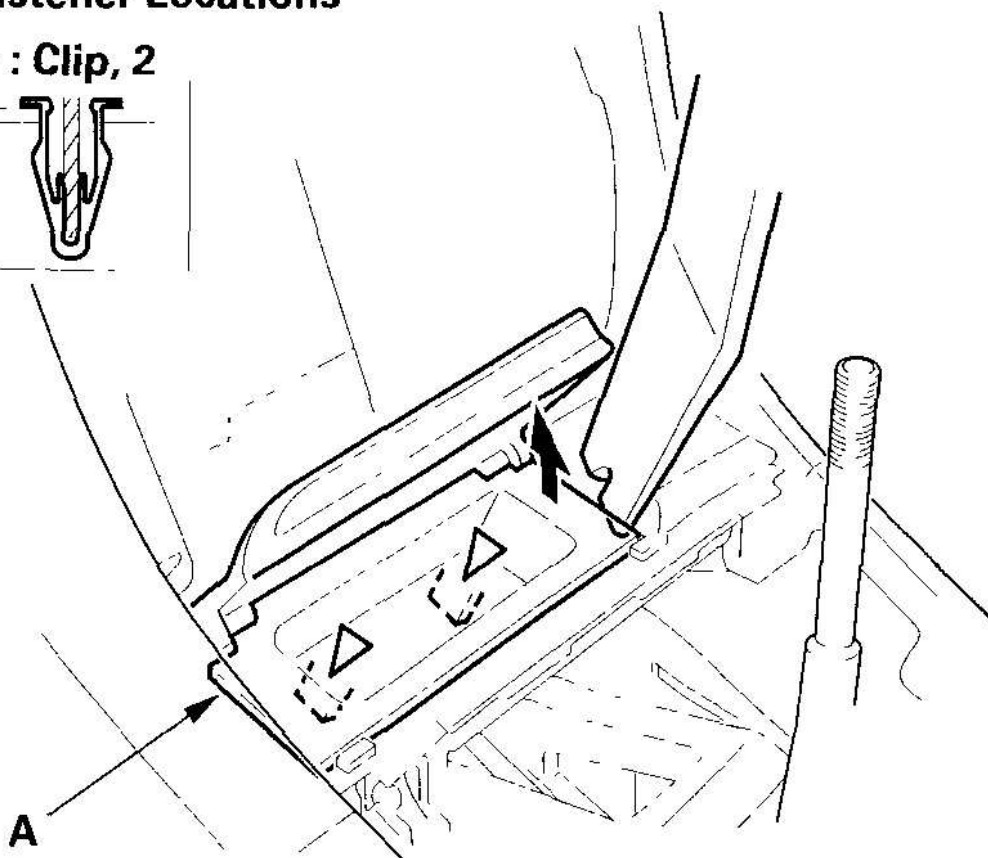
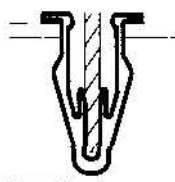
G03648448

**Fig. 2: Detaching Clips Pulling Center Console Front Panel Up**  
Courtesy of AMERICAN HONDA MOTOR CO., INC.

3. Pry up on the right of the console pocket (A) with a trim tool, and detach the clips, then remove the pocket.

### Fastener Locations

▷ : Clip, 2



G03648449

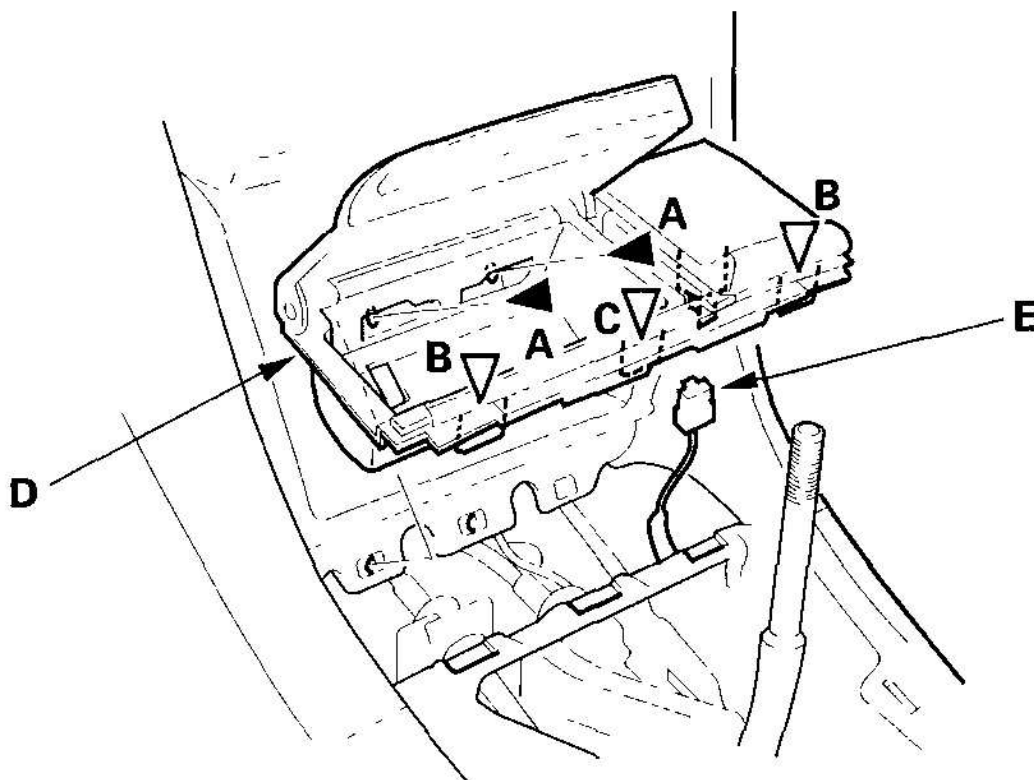
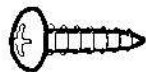
#### Fig. 3: Prying Right Of Console Pocket With Trim Tool

Courtesy of AMERICAN HONDA MOTOR CO., INC.

4. Remove the screws (A), detach the clips (B) and hook (C) by pulling the center holder (D) up, and disconnect the front accessory power socket connector (E).

## Fastener Locations

**A ▶ : Screw, 2**   **B ▷ : Clip, 2**   **C ▷ : Hook, 1**



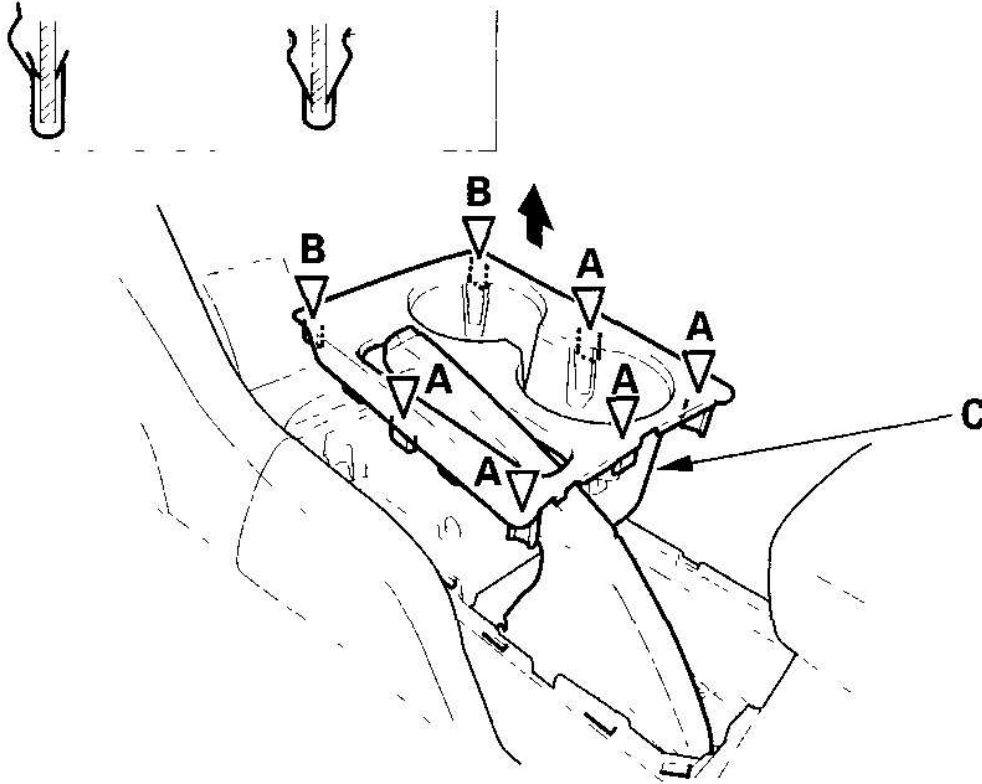
G03648450

**Fig. 4: Disconnecting Front Accessory Power Socket Connector**  
Courtesy of AMERICAN HONDA MOTOR CO., INC.

5. Detach the clips (A, B) by pulling the center console rear panel (C) up.

## Fastener Locations

A ▷ : Clip, 5      B ▷ : Clip, 2



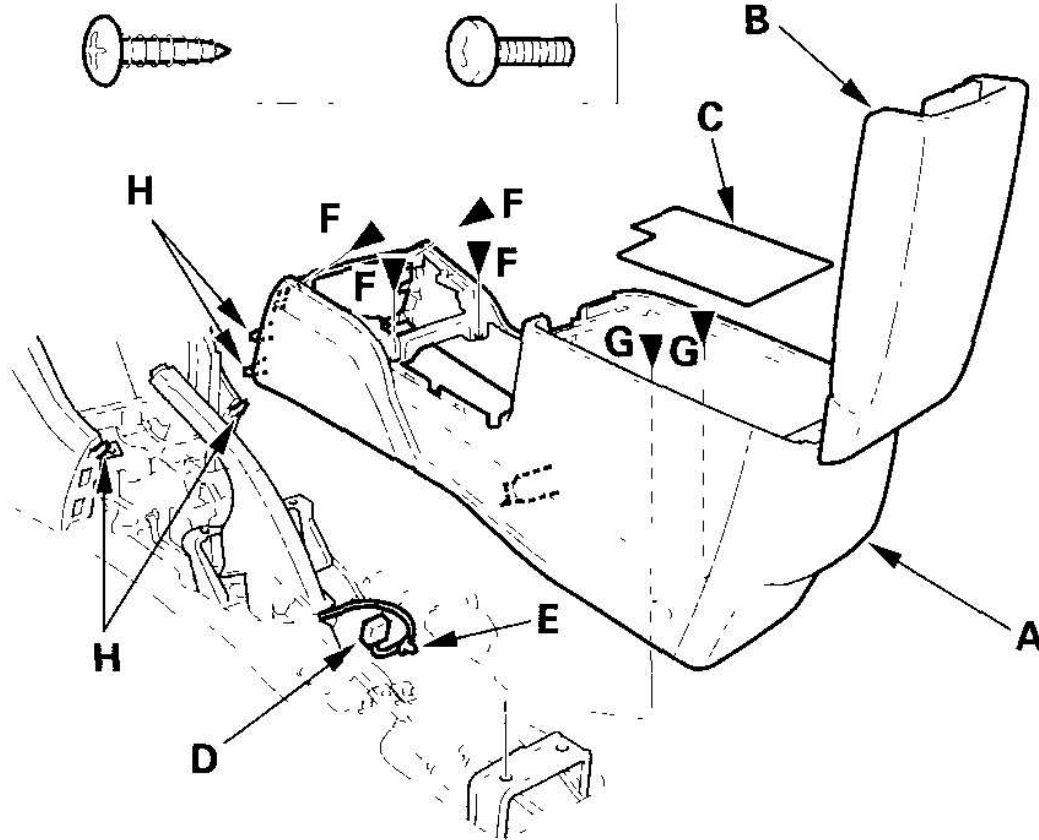
G03648451

**Fig. 5: Detaching Clips Pulling Center Console Rear Panel Up**  
 Courtesy of AMERICAN HONDA MOTOR CO., INC.

6. Remove the center console (A).
  - 1 Open the console box lid (B) then remove the console mat (C).
  - 2 If equipped, disconnect the rear accessory power socket connector (D), and detach the clip (E).
  - 3 Remove the screws (F, G), then pull the rear portion of the console up to release the hooks (H), then remove it.

## Fastener Locations

F ▶ : Screw, 4    G ▶ : Screw, 2



G03648452

**Fig. 6: Removing Center Console**

Courtesy of AMERICAN HONDA MOTOR CO., INC.

7. Install the console in the reverse order of removal, and check if the clip is damaged or stress-whitened, and if necessary, replace it with new one.