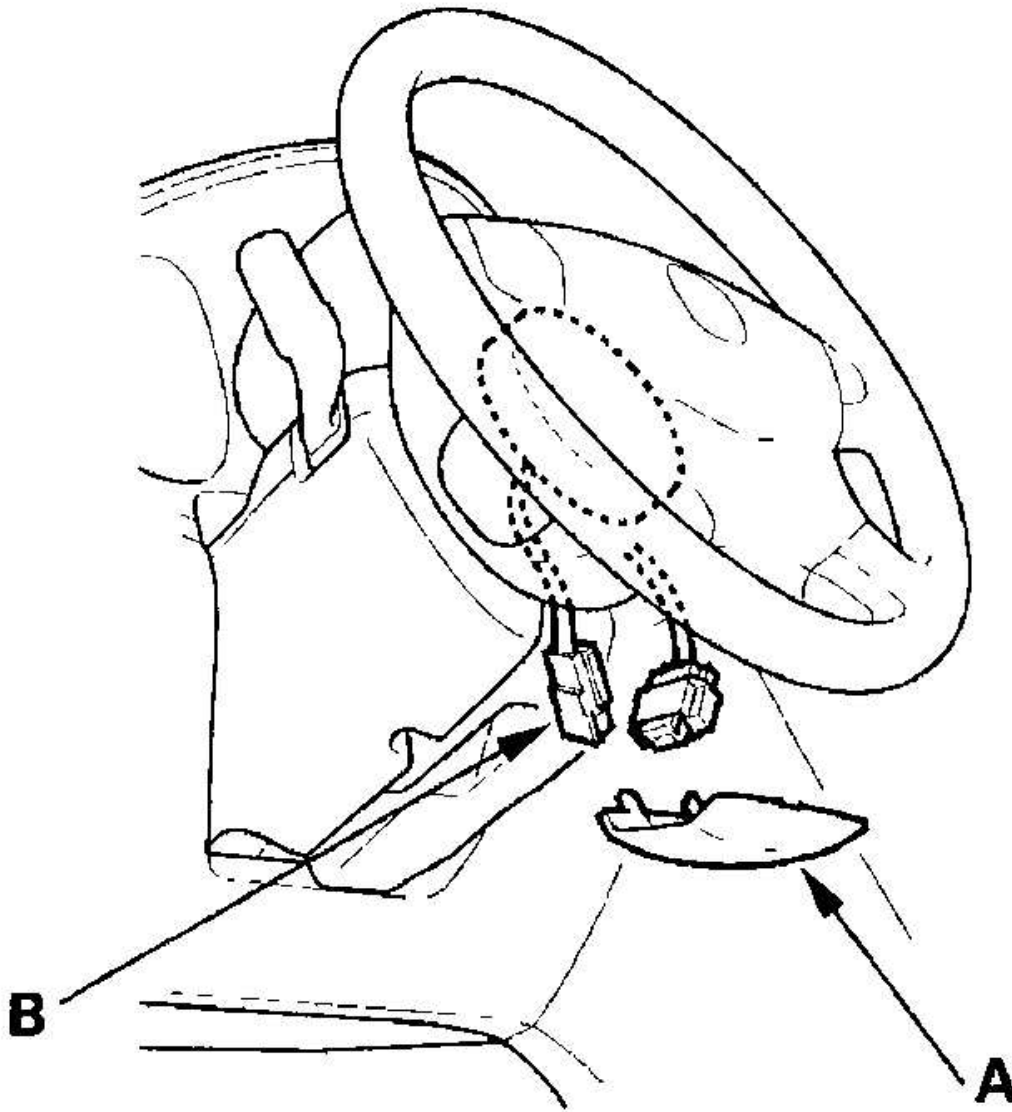


DRIVER'S AIRBAG REPLACEMENT

REMOVAL

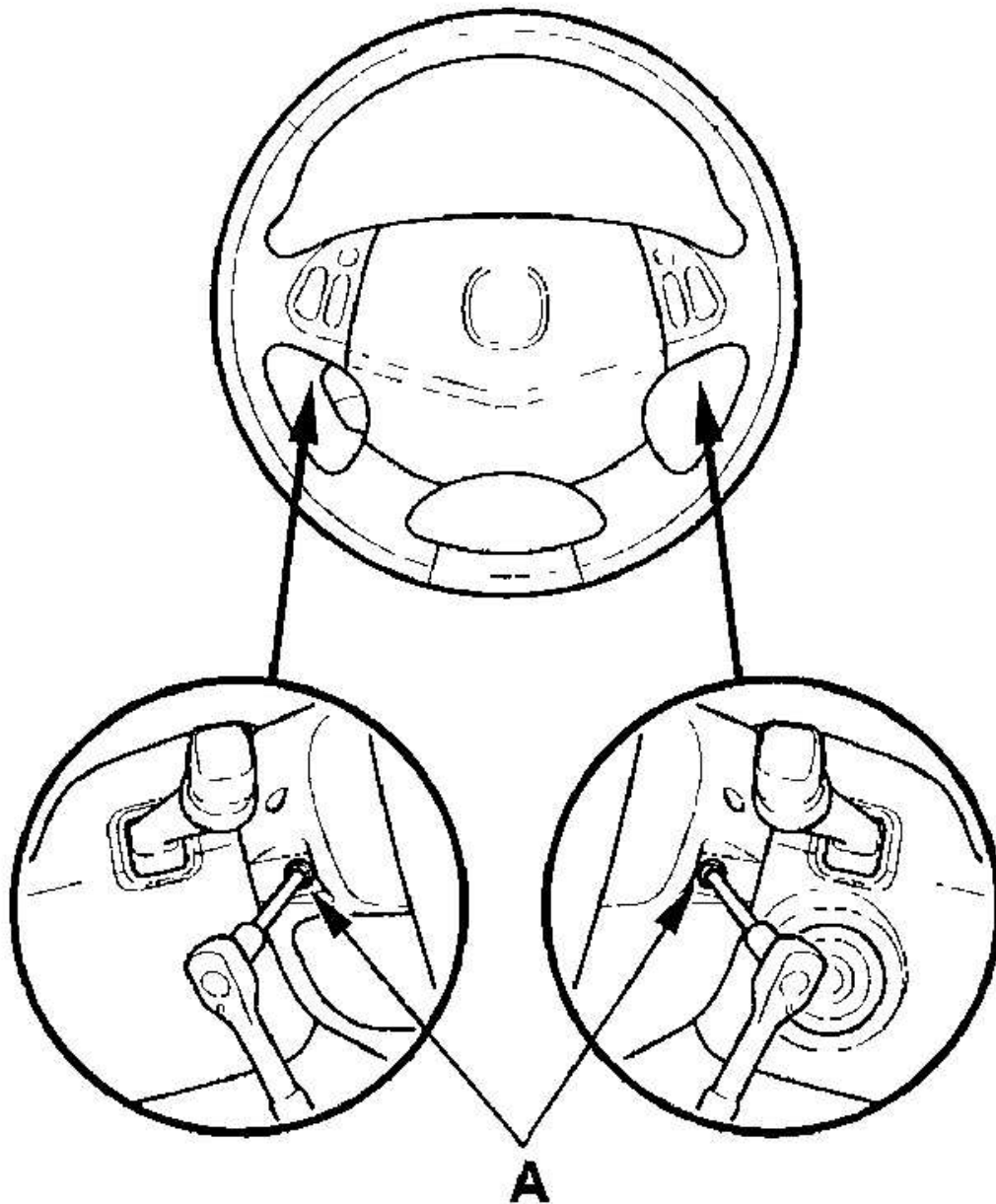
1. Disconnect the battery negative cable, and wait at least 3 minutes before beginning work.
2. Remove the access panel (A) from the steering wheel, then disconnect the driver's airbag 4P connector (B) from the cable reel.



G03662845

Fig. 237: Removing Access Panel From Steering Wheel
Courtesy of AMERICAN HONDA MOTOR CO., INC.

3. Remove the two Torx bolts (A) using a Torx T30 bit.



G03662846

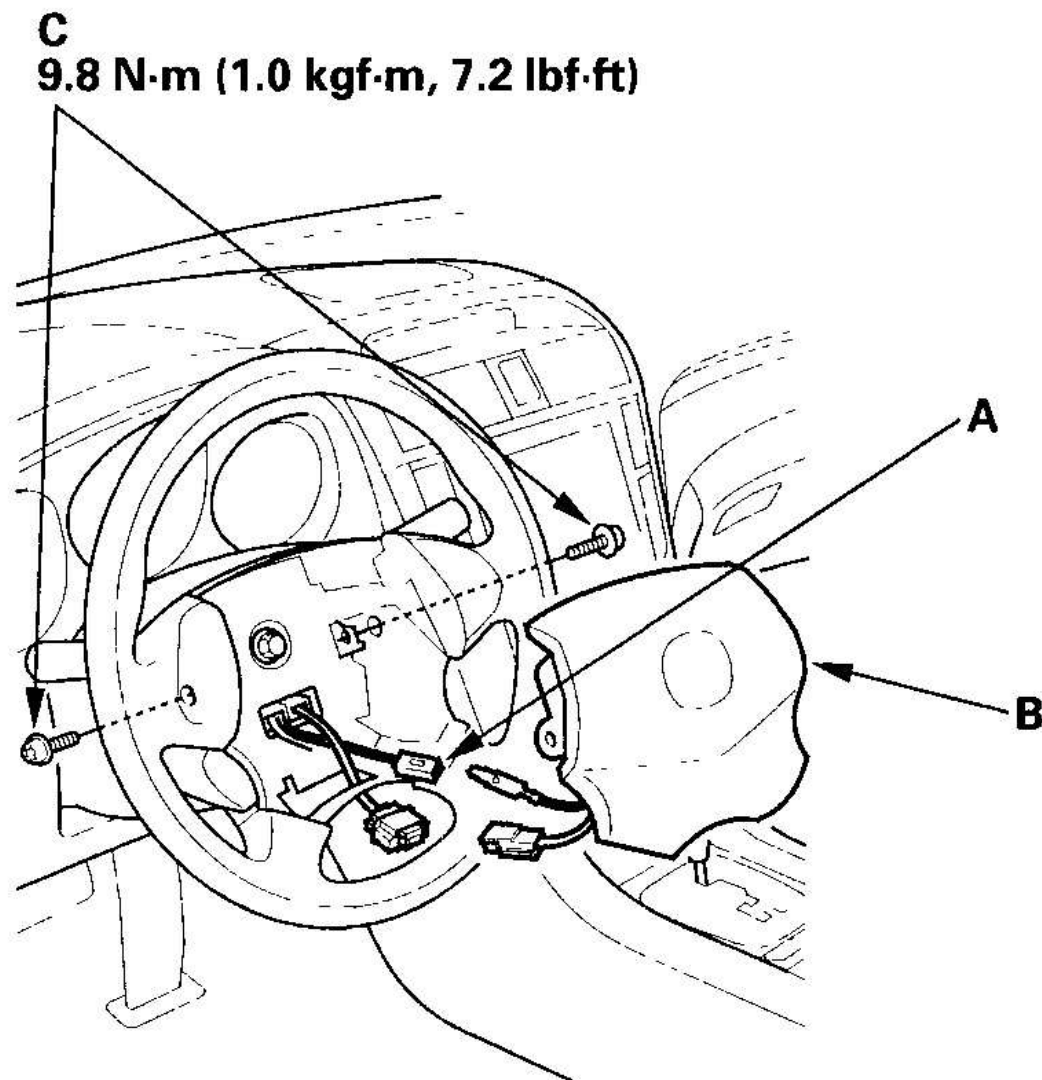
Fig. 238: Removing Torx Bolts

Courtesy of AMERICAN HONDA MOTOR CO., INC.

4. Disconnect the horn switch connector (1P), then remove the driver's airbag (B).

INSTALLATION

1. Connect the horn switch connector (1P) (A) to the driver's airbag.

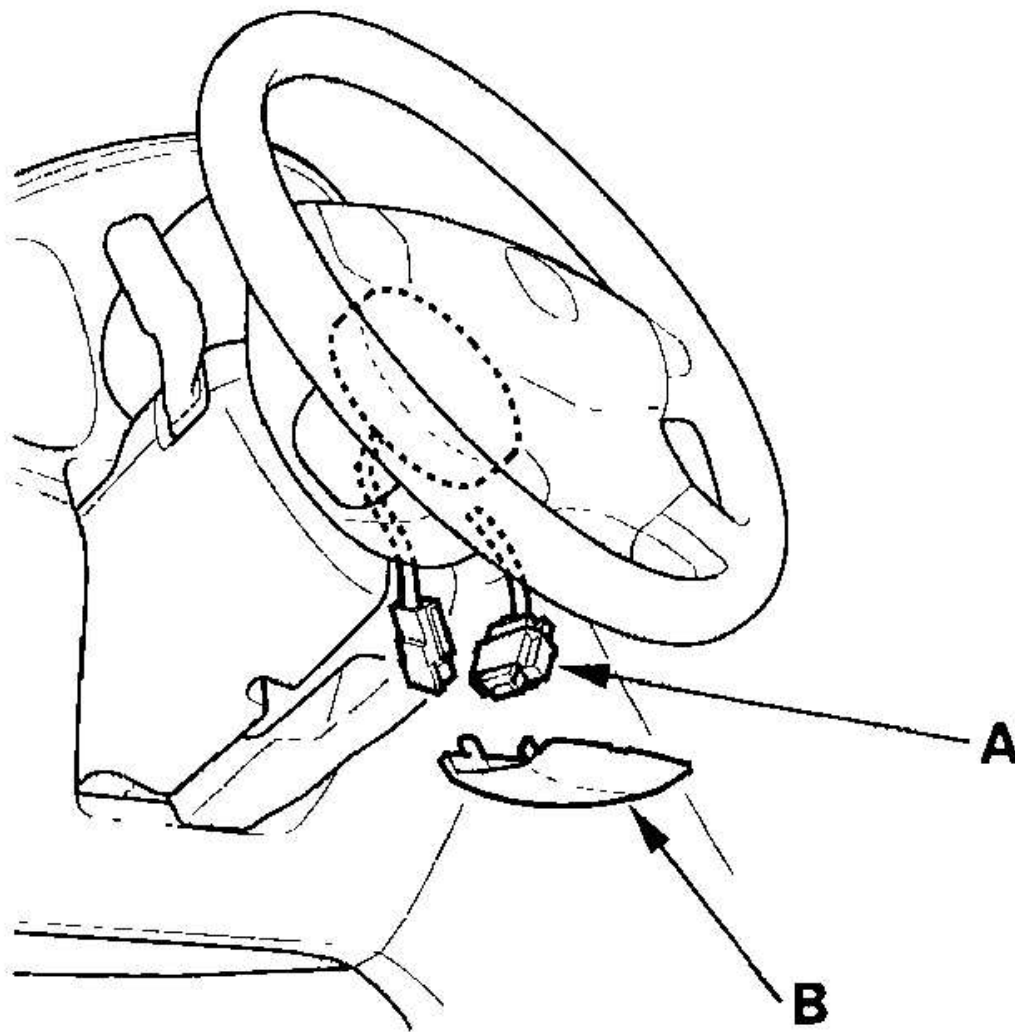


G03662847

Fig. 239: Connecting Horn Switch Connector (1P) To Driver's Airbag
Courtesy of AMERICAN HONDA MOTOR CO., INC.

2. Place the driver's airbag (B) in the steering wheel, and secure it with new Torx bolts (C).
3. Connect the cable reel 4P connector (A) to the driver's airbag 4P connector, then install the access panel

(B) on the steering wheel.



G03662848

Fig. 240: Installing Access Panel On Steering Wheel
Courtesy of AMERICAN HONDA MOTOR CO., INC.

4. Connect the battery negative cable.
5. Connect the HDS and erase the DTCs.
6. After installing the airbag, confirm proper system operation:
 - Turn the ignition switch ON (II); the SRS indicator should come on for about 6 seconds and then

many waters gallery

2006 Acura TL

2004-2006 RESTRAINTS Supplemental Restraint System - TL

go off.

- Make sure the horn works.