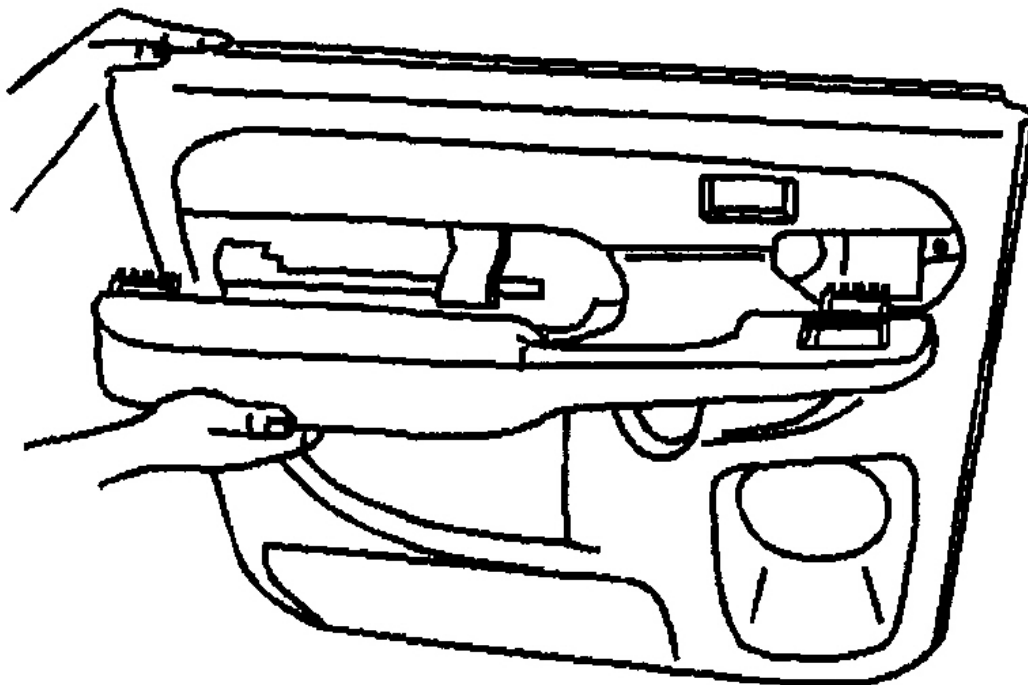


## ARMREST REPLACEMENT

### Removal Procedure

1. Remove the door trim panel. Refer to [Trim Panel Replacement - Side Front Door](#) .
2. Remove the armrest retaining screws.
3. Remove the armrest from the panel.

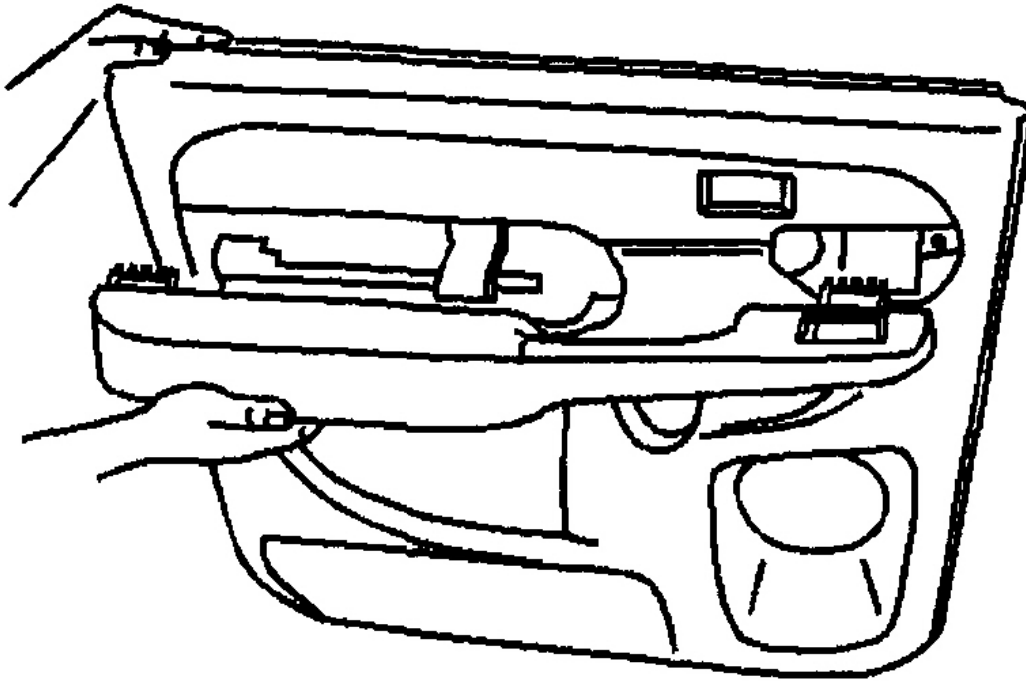


G01577855

**Fig. 128: Removing Armrest**  
Courtesy of GENERAL MOTORS CORP.

### Installation Procedure

1. Install the armrest from the panel.
2. Install the armrest retaining screws.
3. Install the door trim panel. Refer to [Trim Panel Replacement - Side Front Door](#) .



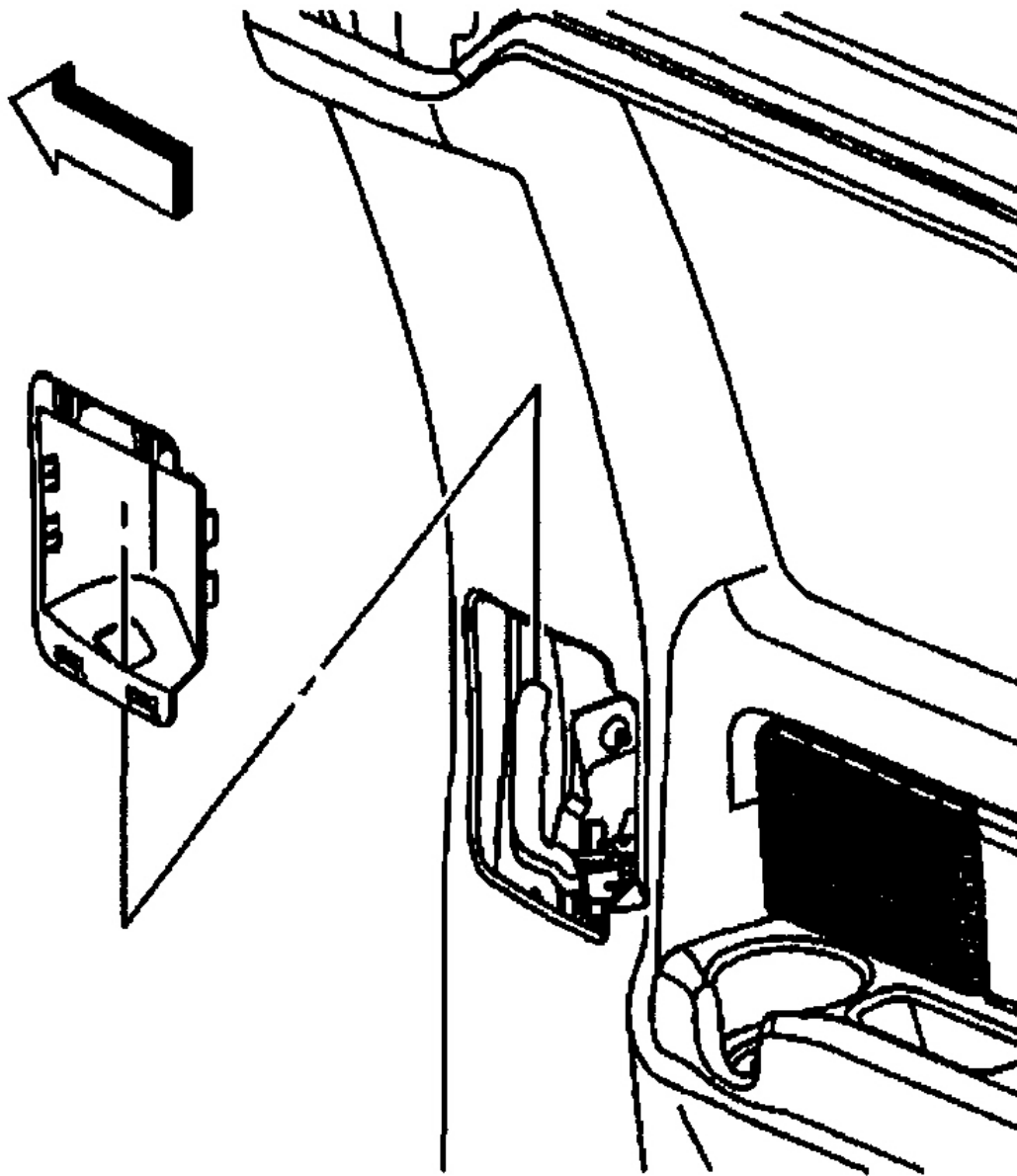
G01577856

**Fig. 129: Installing Armrest**  
Courtesy of GENERAL MOTORS CORP.

### DOOR HANDLE BEZEL REPLACEMENT (INSIDE SIDE ACCESS)

#### Removal Procedure

1. Insert a flat-bladed tool at the top between the door bezel and the door panel.
2. Carefully bend outward the retaining clips while pulling out the bezel.

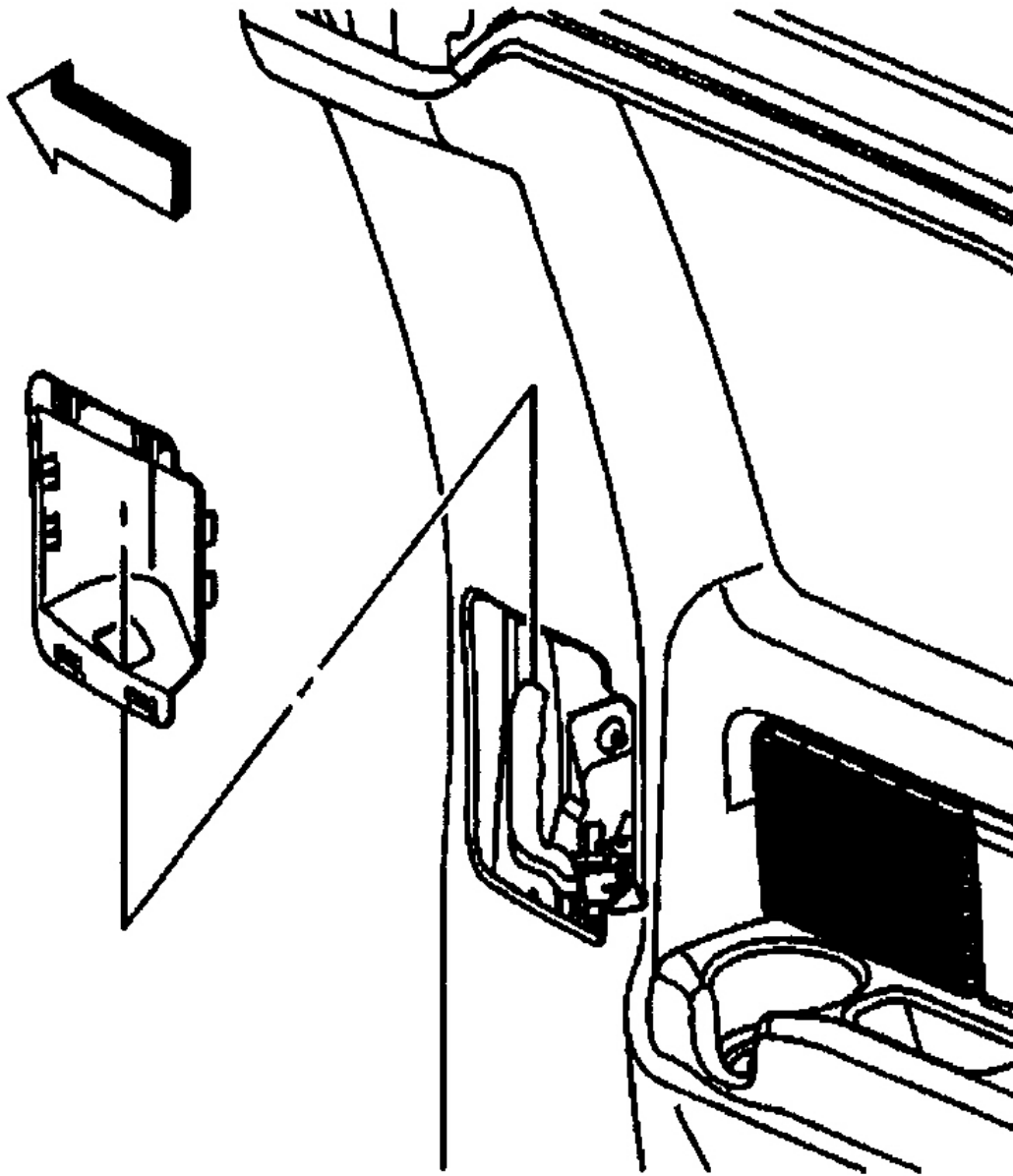


G01577857

**Fig. 130: Door Handle Bezel (Inside Side Access)**  
Courtesy of GENERAL MOTORS CORP.

**Installation Procedure**

Snap the handle bezel into place in the door trim panel.



G01577858

**Fig. 131: Door Handle Bezel (Inside Side Access)**  
Courtesy of GENERAL MOTORS CORP.

### WINDOW HANDLE REPLACEMENT

#### Tools Required

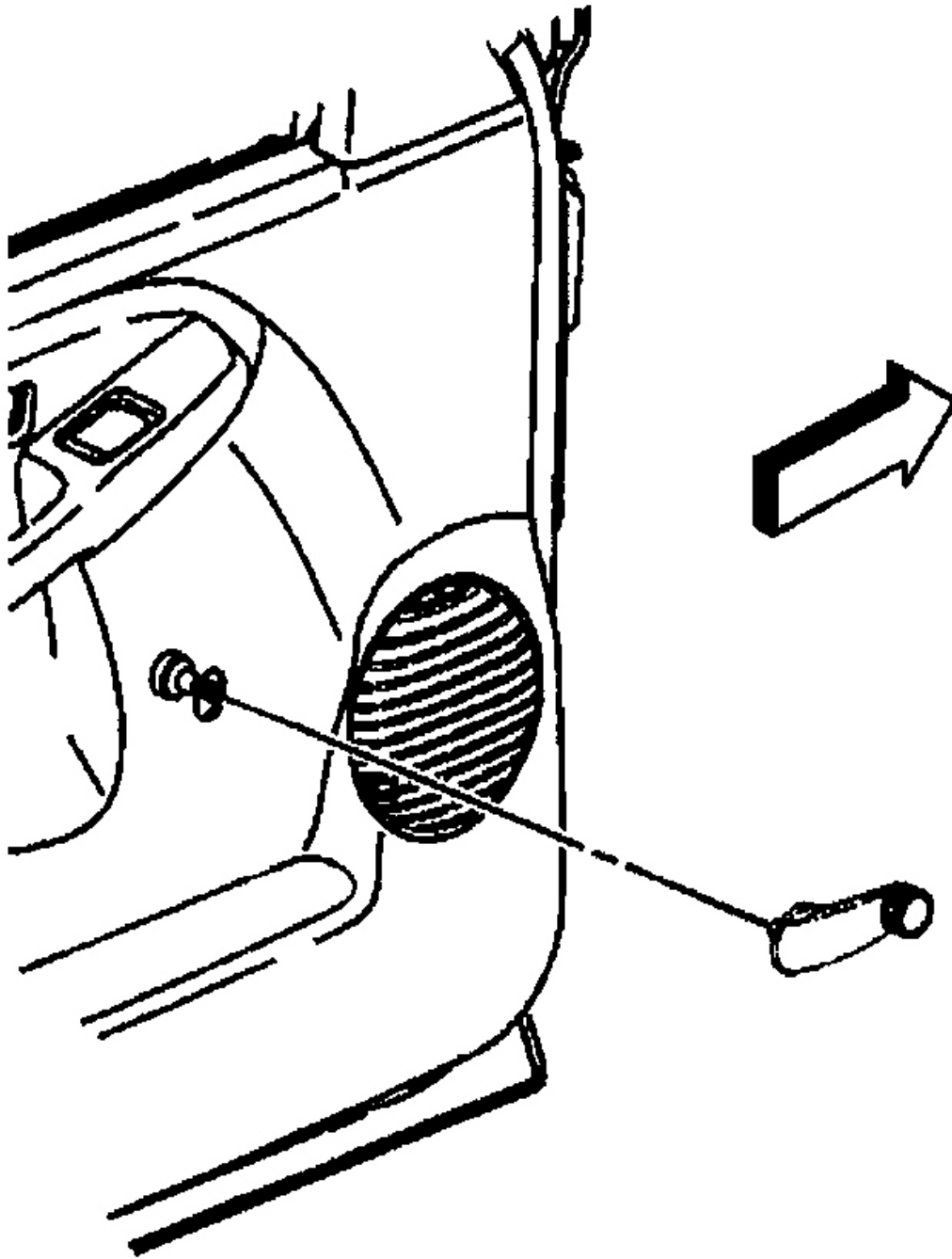
many waters gallery

*J 9886-01* Door Handle Clip Remover

**Removal Procedure**

1. Open the door.
2. Remove the window crank handle using the *J 9886-01*.

Be sure to retain the retainer clip on the back side of the handle.



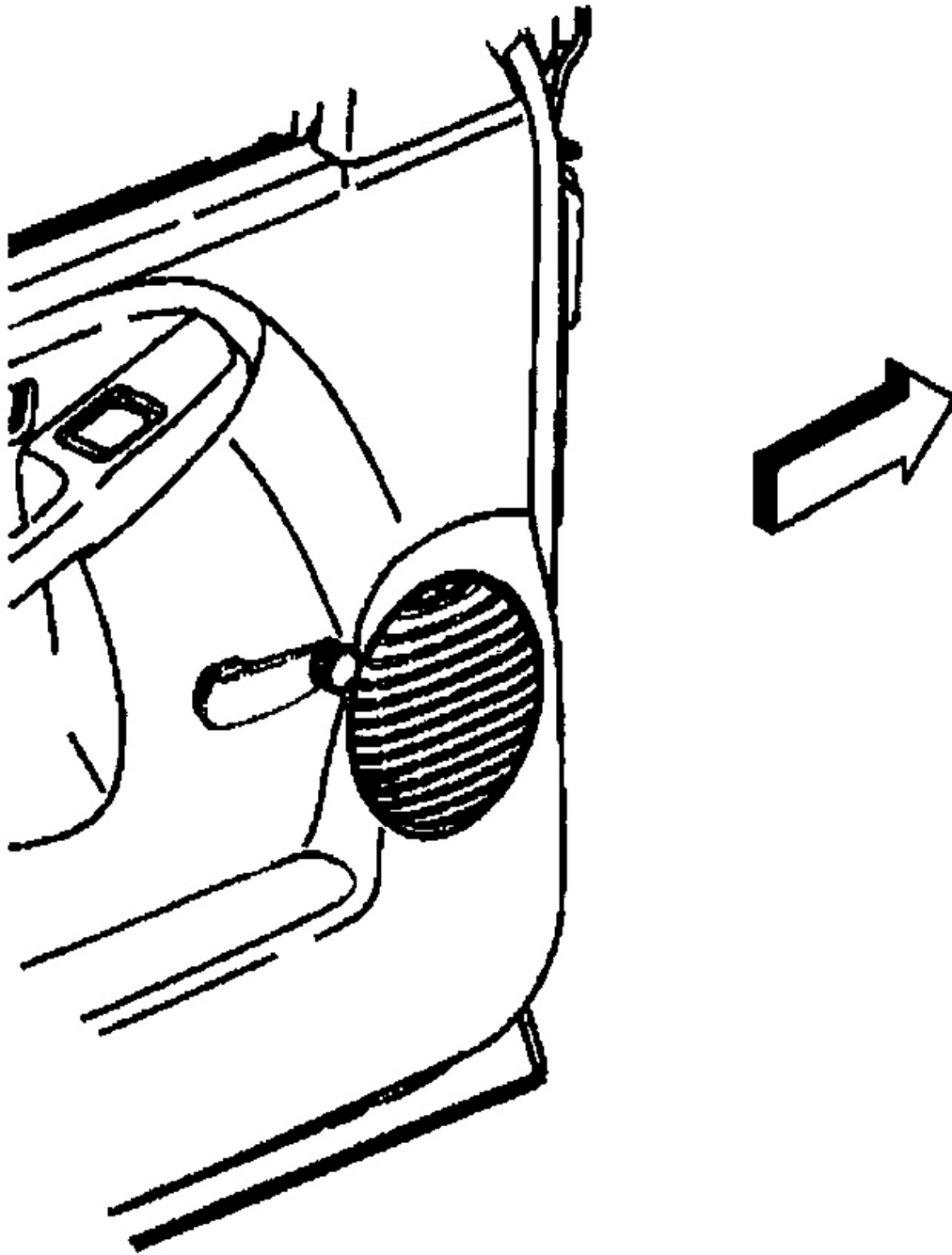
G01577859

**Fig. 132: Window Handle**

**Courtesy of GENERAL MOTORS CORP.**

**Installation Procedure**

1. Install the window crank handle by pushing the handle by pushing the handle into place. Ensure that the retainer engages.
2. Inspect the operation.



G01577860

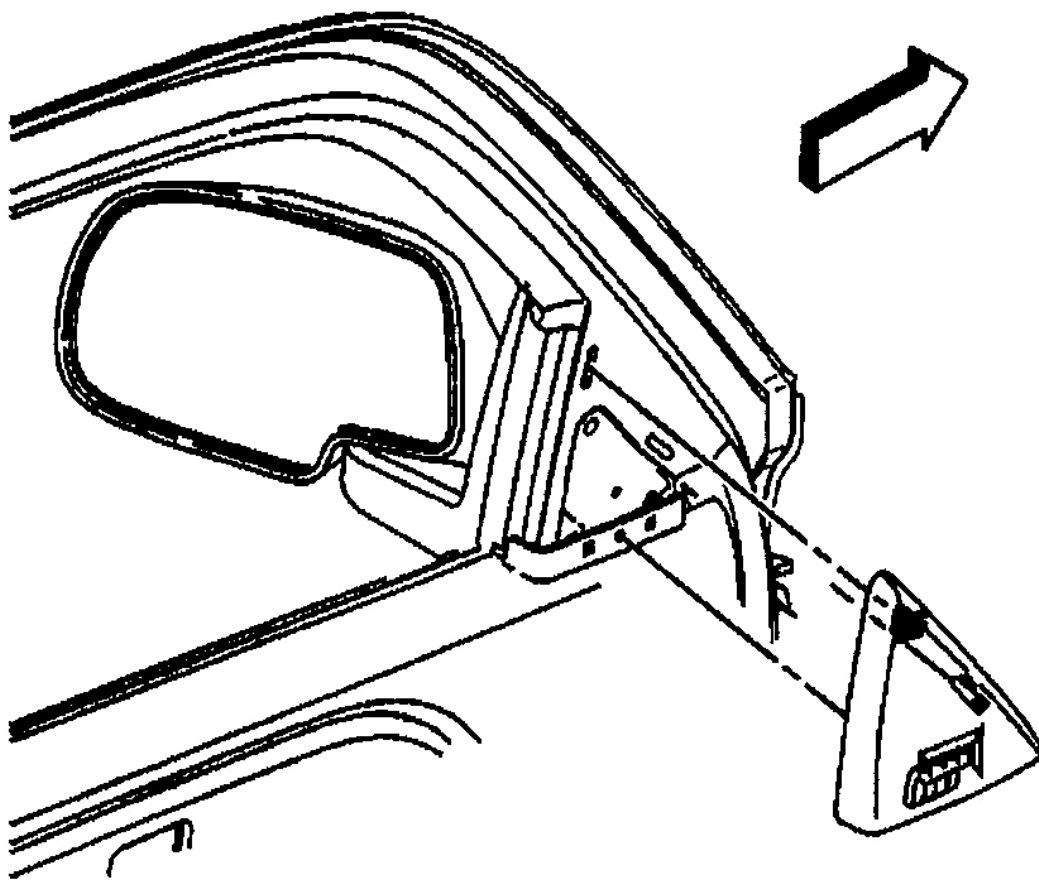
**Fig. 133: Window Handle**

Courtesy of GENERAL MOTORS CORP.

### TRIM PANEL REPLACEMENT - UPPER EXTENSION

#### Removal Procedure

1. Open the front door.
2. Release the upper extension by pulling outward in order to release the upper retainer clip.
3. Remove the upper extension from the trim panel by lifting up and out.

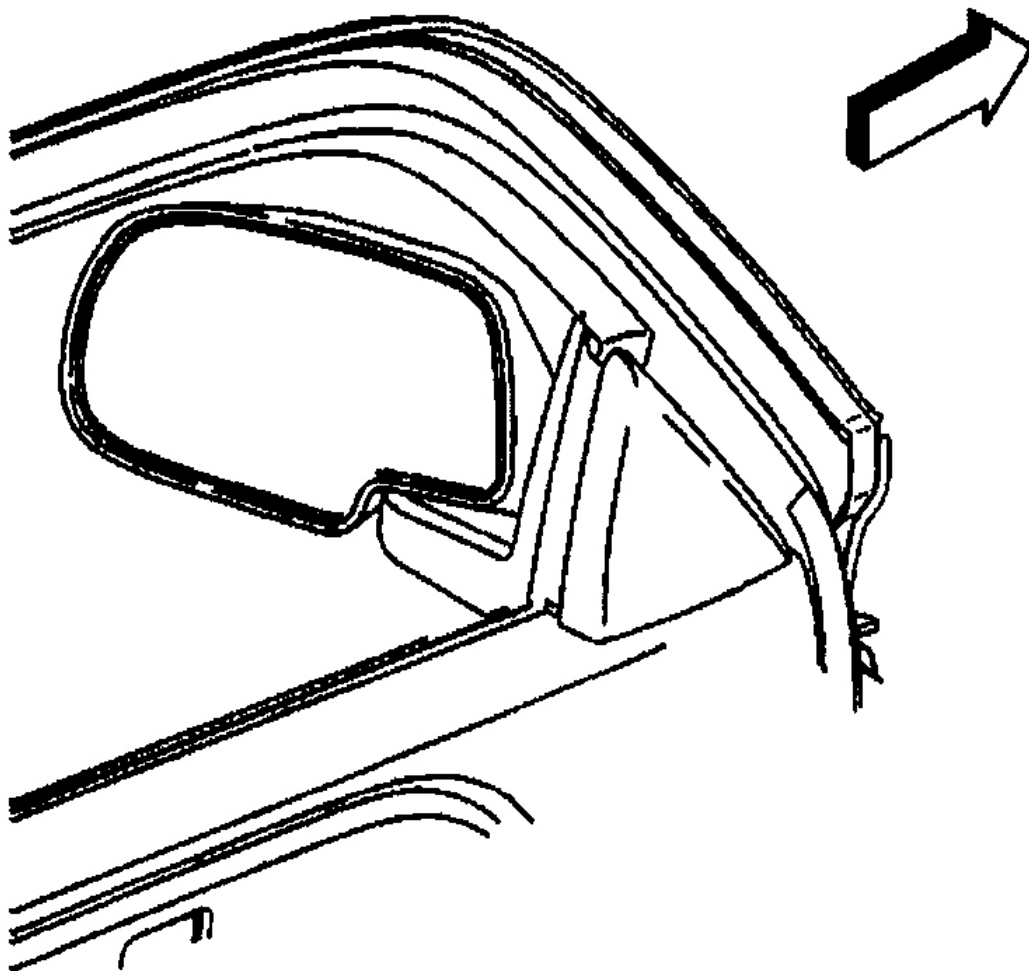


G01577861

**Fig. 134: Trim Panel - Upper Extension**  
Courtesy of GENERAL MOTORS CORP.

#### Installation Procedure

1. Position the lower retainer to the trim panel.
2. Align the upper retainer clip to the door frame.
3. Install the upper extension by pressing into place until fully seated.



G01577862

**Fig. 135: Trim Panel - Upper Extension**  
Courtesy of GENERAL MOTORS CORP.

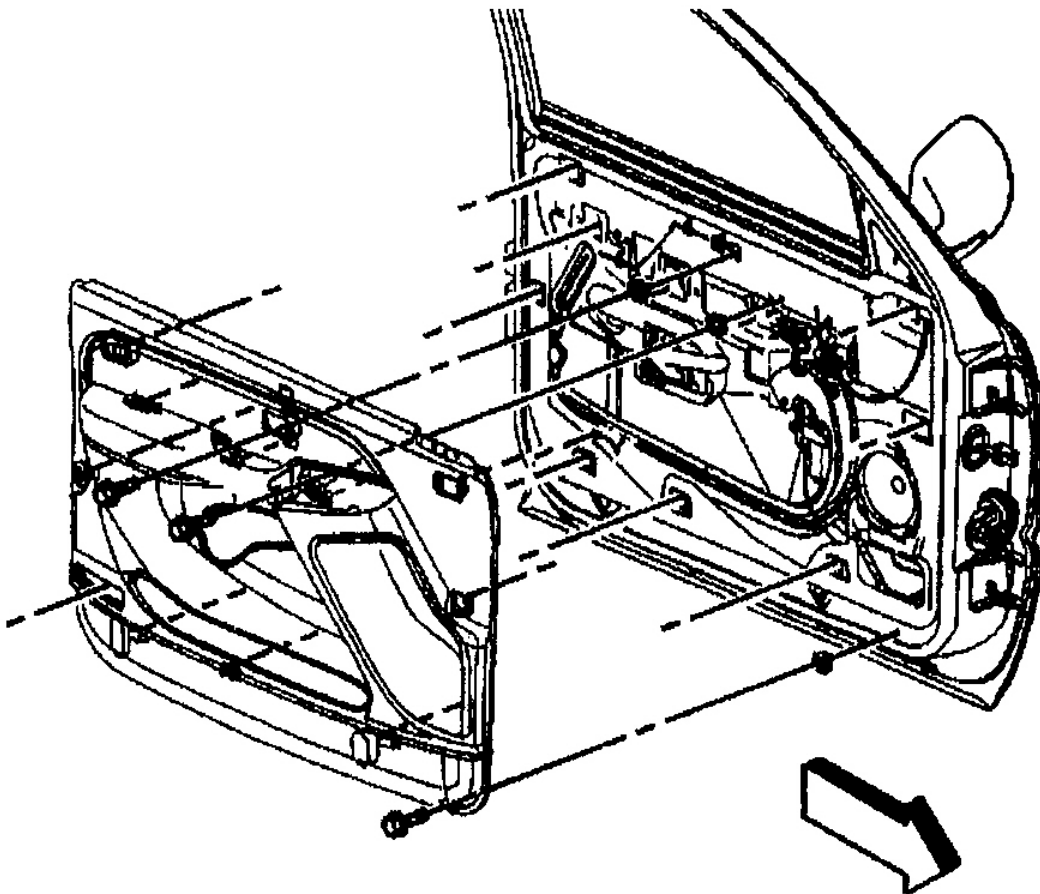
## TRIM PANEL REPLACEMENT - SIDE FRONT DOOR

### Removal Procedure

1. Remove the door handle bezel. Refer to *Handle Bezel Replacement - Inside* .

many waters gallery

2. Remove the window handle, if equipped. Refer to *Window Handle Replacement* .
3. Remove the upper extension of the trim panel. Refer to *Trim Panel Replacement - Upper Extension* .
4. Remove the manual lock lever from the trim panel using a flat-bladed tool.
5. Remove the trim panel screws.
6. Disconnect the electrical connectors.
7. Remove the courtesy lamp, if equipped. Refer to **COURTESY LAMP/REFLECTOR REPLACEMENT-DOOR** .
8. Remove the trim panel from the door. Carefully slide the trim panel up in order to release the retainers from the door.
9. Remove the switch panel. Refer to *Switch Replacement - Door Lock & Side Window - Driver* and *Switch Replacement - Door Lock & Side Window - Passenger* .



G01577863

**Fig. 136: Trim Panel - Side Front Door**  
Courtesy of GENERAL MOTORS CORP