

## 51 16 026 REPLACING MIRROR GLASS

### Special Tools Required

- 00 9 317

### Removal & Installation

**WARNING:** Move mirror glass with hand carefully and slowly.

**If mirror glass is damaged:**

**Wear protective goggles and cut-proof gloves.**

**Risk of injury by flaking-off glass splinters.**

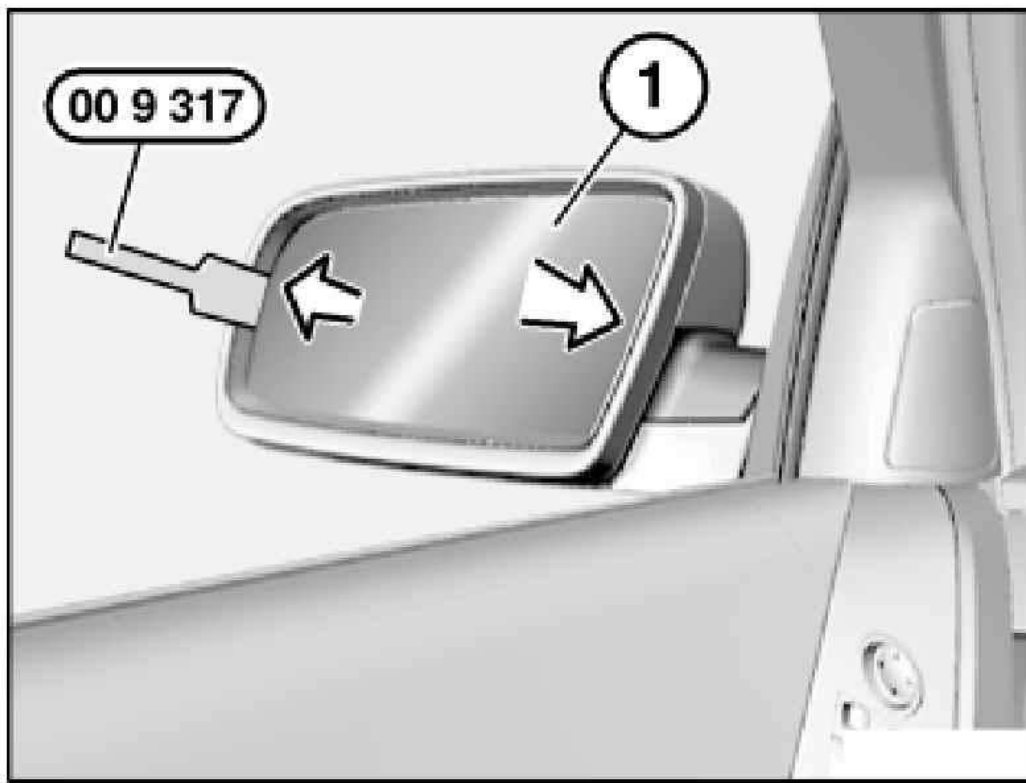
**IMPORTANT:** Bring door mirror to room temperature to prevent catches from breaking off.

Press mirror glass (1) on side vehicle by hand to full extent.

**NOTE:**       **Secure mirror glass (1) against falling out.**

Unclip mirror glass (1) from outer side with special tool 00 9 317 all round.

Unlock and disconnect associated plug connections, remove mirror glass (1).



G03261427

**Fig. 84: Removing Mirror Glass Clip**  
Courtesy of BMW OF NORTH AMERICA, INC.

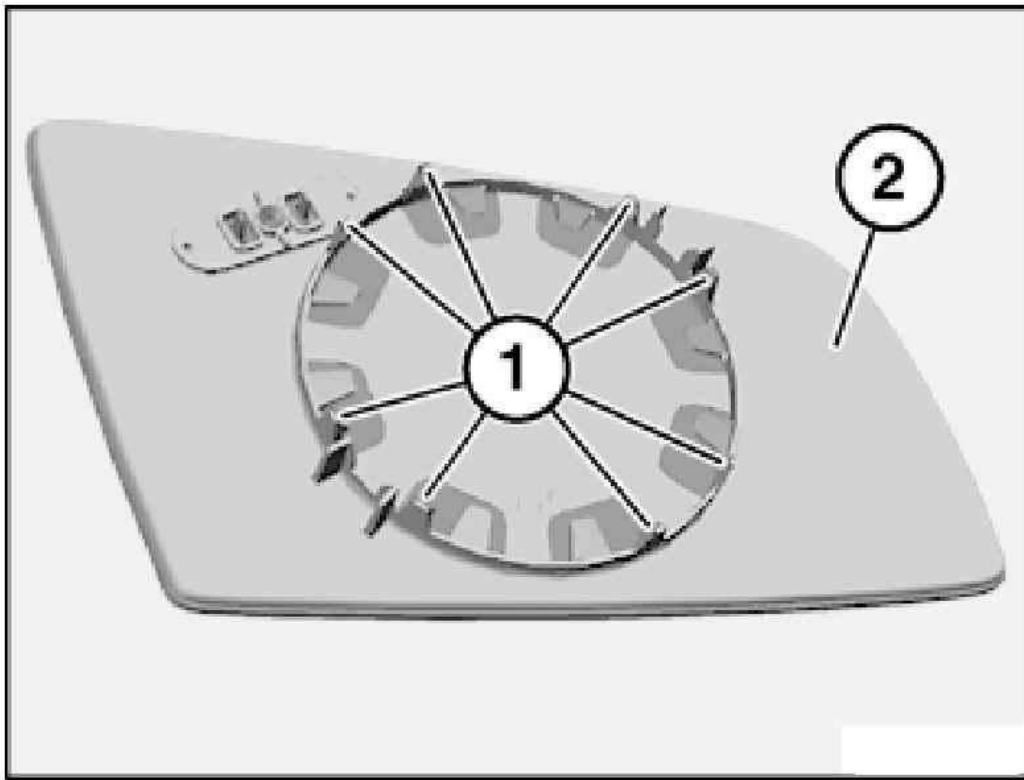
*Installation:*

Retaining lugs (1) must not be damaged.

Fit mirror glass (2) with retaining lugs (1) flush on mirror adjusting drive and clip into place.

Ensure correct locking.

Make sure mirror adjusting drive functions correctly.



G03261428

**Fig. 85: Installing Mirror Glass With Retaining Lugs**  
Courtesy of BMW OF NORTH AMERICA, INC.

### 51 16 040 REMOVING AND INSTALLING/REPLACING HOUSING ON LEFT OR RIGHT DOOR MIRROR

*Necessary preliminary tasks:*

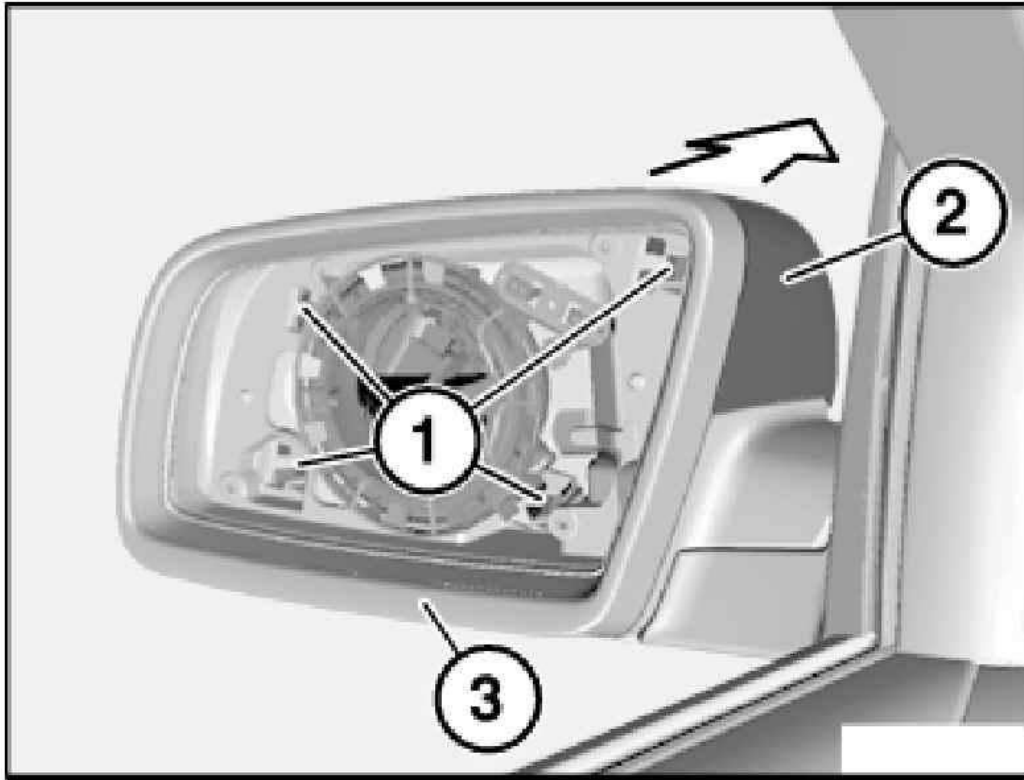
- Remove **MIRROR GLASS**.

**NOTE:** Housing on door mirror (2) is secured without play by four multitooth catches (1) on retaining ring (3).

Secure housing on door mirror (2) against falling out.

Unlock multitooth catches (1) with a screwdriver.

Unclip housing on door mirror (2) forwards from retaining ring (3) and remove.

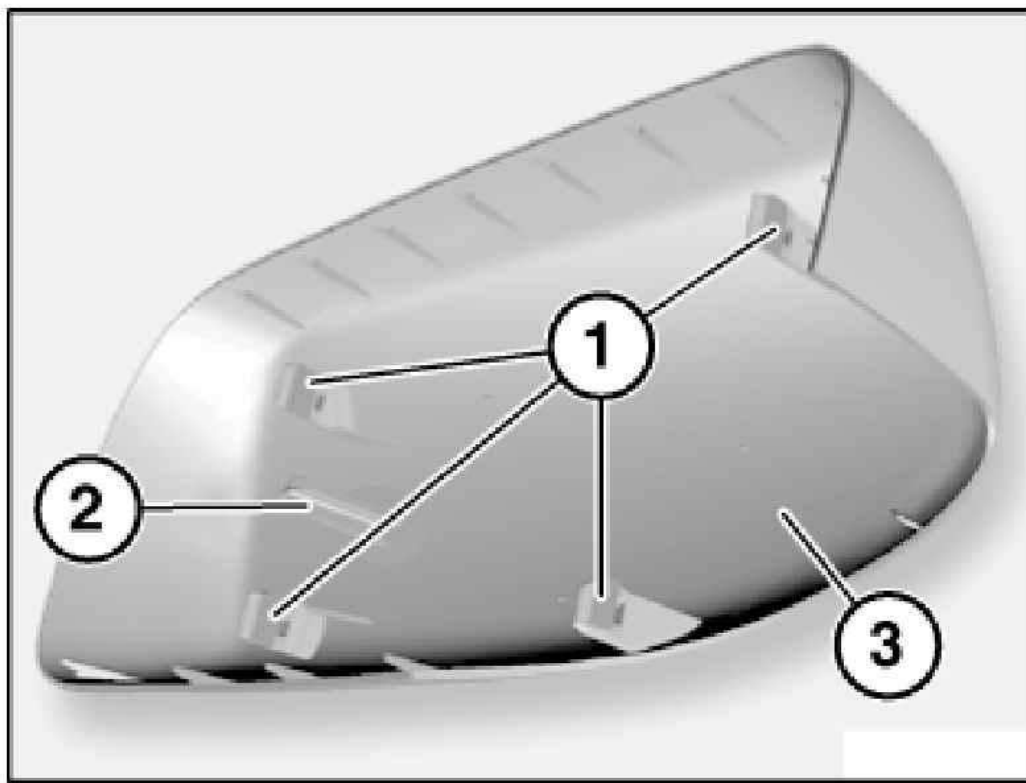


G03261429

**[Fig. 86: Installing Housing On Door Mirror](#)**  
Courtesy of BMW OF NORTH AMERICA, INC.

*Installation:*

Multitooth catches (1) and guide (2) on housing on door mirror (3) must not be damaged.

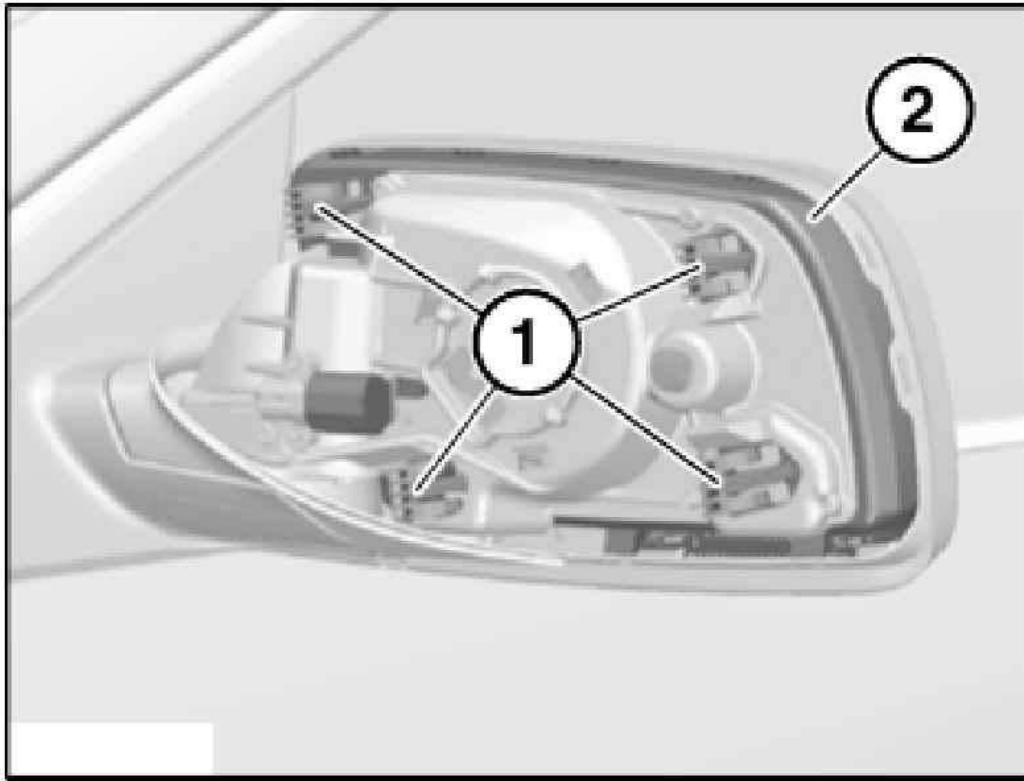


G03261430

**Fig. 87: Identifying Multitooth Catches And Guide**  
Courtesy of BMW OF NORTH AMERICA, INC.

*Installation:*

Fixtures (1) on retaining plate (2) must not be damaged.



G03261431

**Fig. 88: Installing Retaining Plate**

Courtesy of BMW OF NORTH AMERICA, INC.

**51 16 045 REMOVING AND INSTALLING/REPLACING RETAINING RING ON LEFT OR RIGHT DOOR MIRROR****Special Tools Required**

- 64 1 020

**Removal & Installation***Necessary preliminary tasks:*

- Remove housing on door mirror. See [51 16 040 Removing And Installing/Replacing Housing On Left Or Right Door Mirror](#).
- Remove drive for electrically adjustable door mirror. See [51 16 040 Removing and installing/replacing housing on left or right door mirror](#).

**NOTE: Version with door mirror light:**

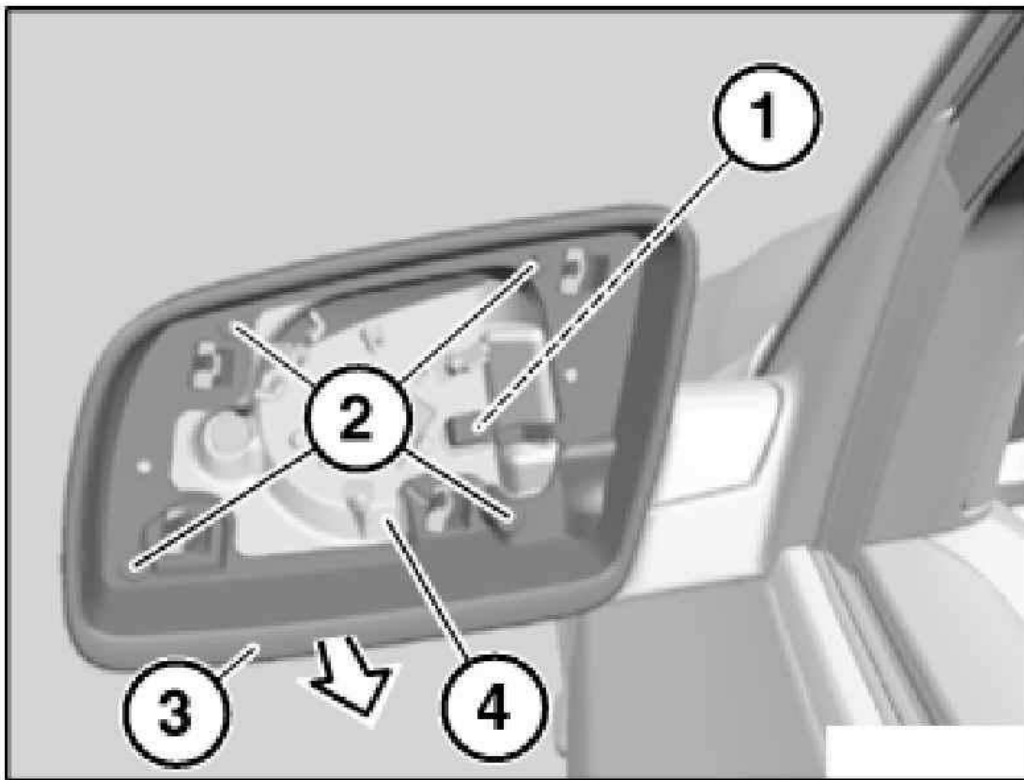
Disconnect plug connection (1).

Release screws (2) and remove complete retaining ring on door mirror (3) from carrier (4).

*Installation:*

Version with door mirror light:

Ensure correct cable routing.

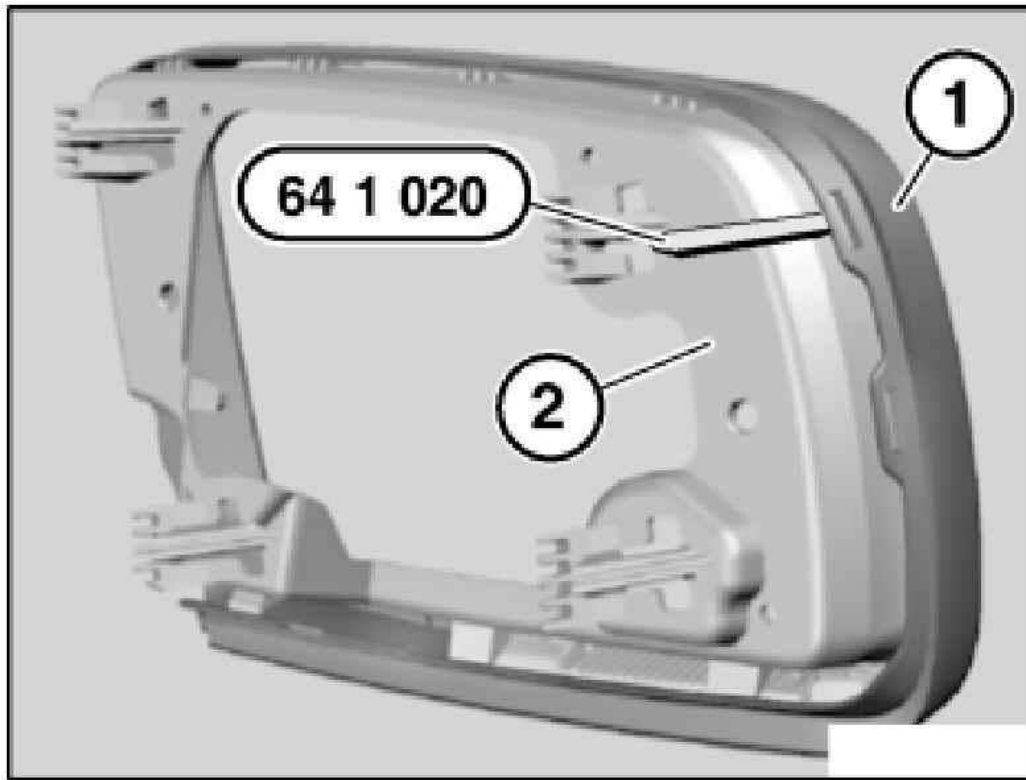


G03261432

**Fig. 89: Disconnecting Plug Connection**

Courtesy of BMW OF NORTH AMERICA, INC.

Unclip retaining ring on door mirror (1) with special tool 64 1 020 all round and remove from retaining plate (2).



G03261433

**[Fig. 90: Removing Retaining Ring Clip On Door Mirror](#)**  
Courtesy of BMW OF NORTH AMERICA, INC.