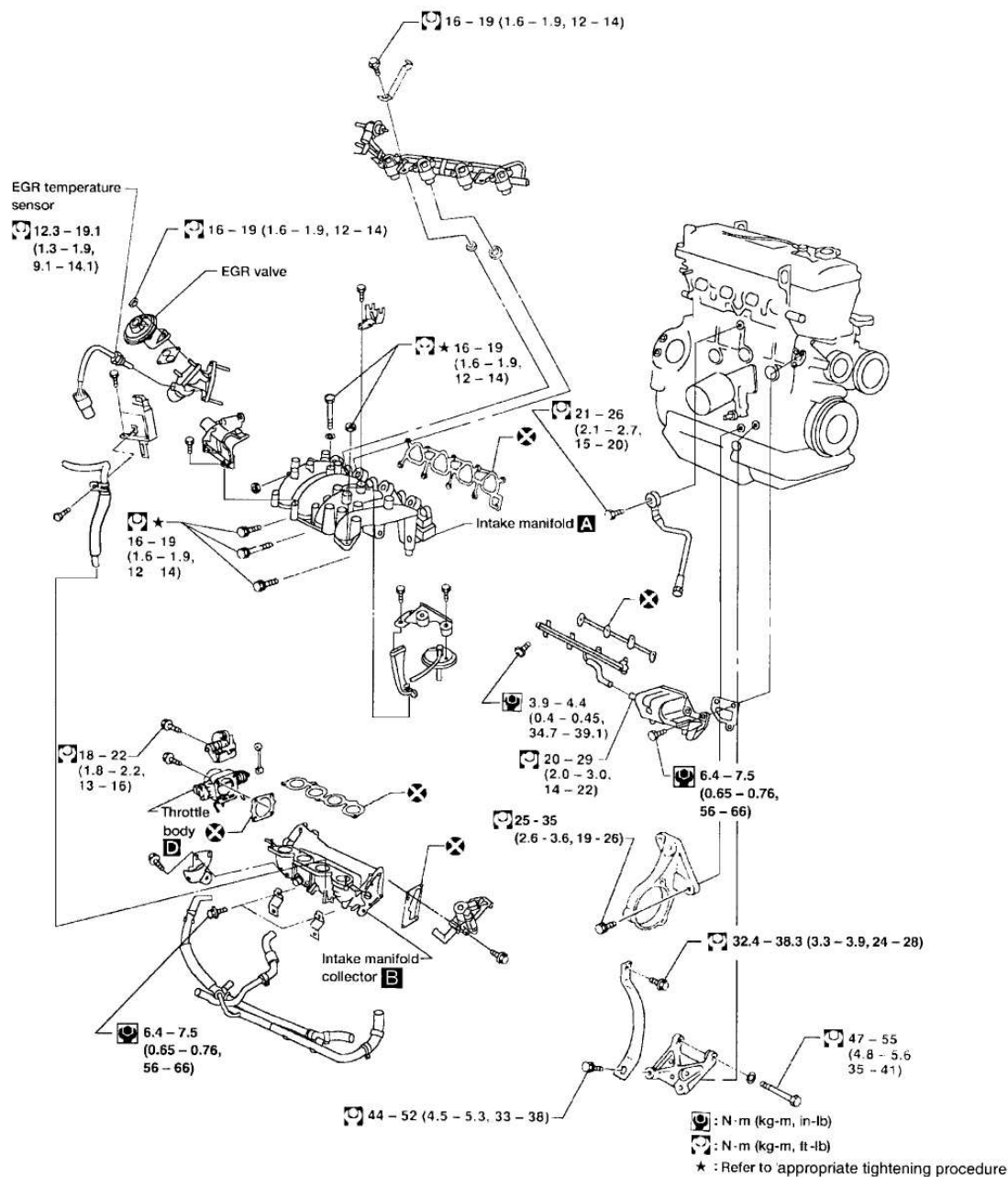


**INTAKE MANIFOLD****Removal & Installation**

1. Release fuel pressure. See **FUEL PRESSURE RELEASE**. Drain coolant. Disconnect all necessary coolant hoses, electrical connectors, vacuum hoses, fuel lines and control cables.
2. Remove generator and mounting bracket. Remove intake air duct hose. Remove upper radiator hose. Remove front Exhaust Gas Recycle (EGR) hose from intake manifold. Remove 2 intake manifold plenum supports between intake manifold and engine block. See **Fig. 6**.
3. Remove intake manifold bolts and remove intake manifold. See **Fig. 5**. To install, reverse removal procedure. Tighten intake manifold bolts to specification in sequence. See **Fig. 7** and **Fig. 8**. See **TORQUE SPECIFICATIONS**.

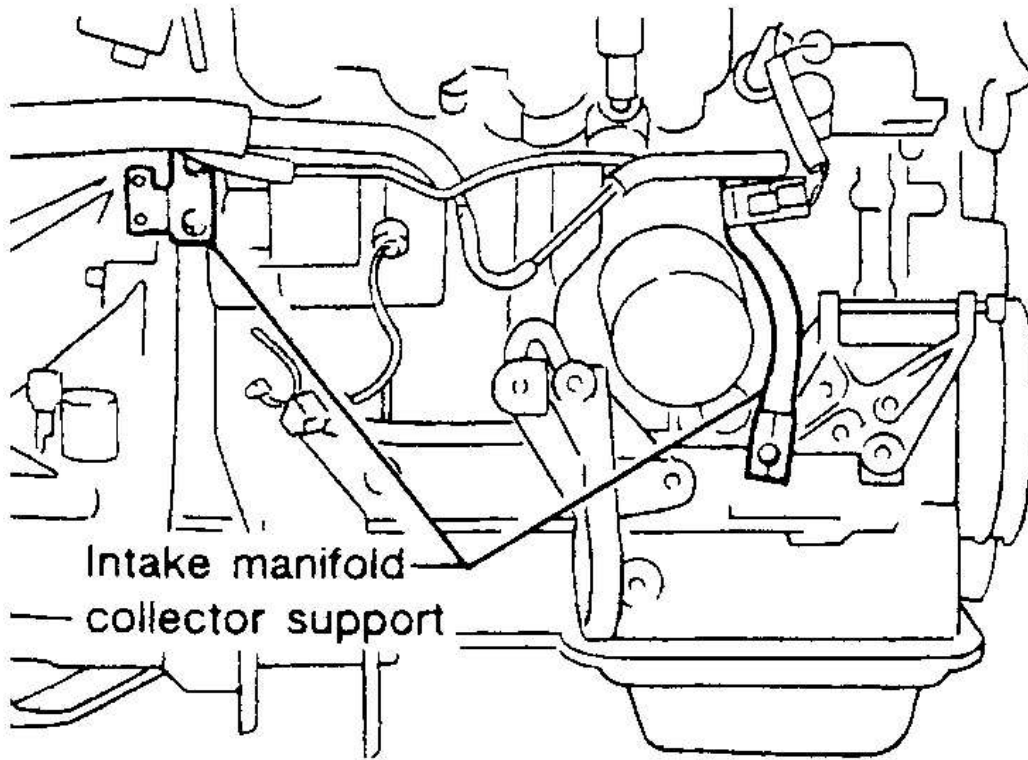
# 2000 Nissan Altima SE

1999-2000 ENGINES 2.4L 4-Cylinder



G00277646

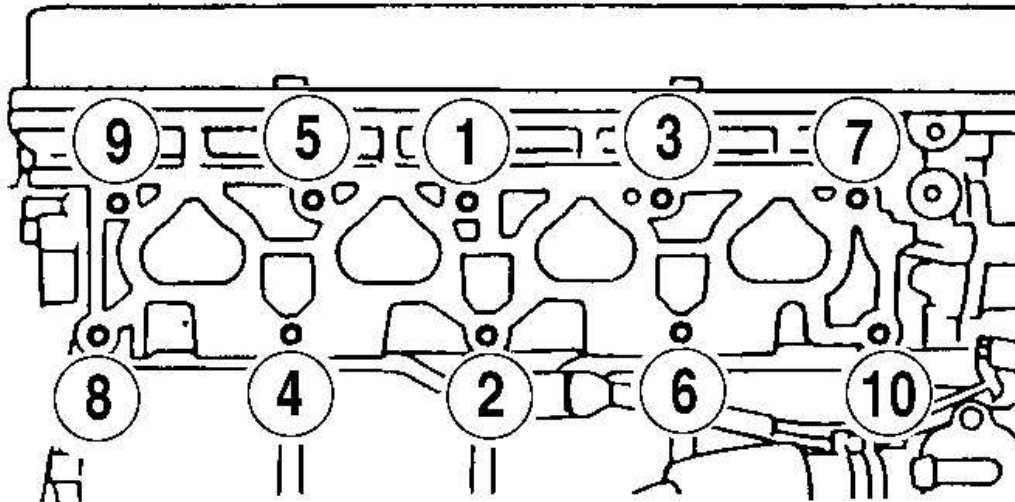
**Fig. 5: Exploded View Of Identifying Intake Manifold & Plenum**  
Courtesy of NISSAN MOTOR CO., U.S.A.



G00082783

**[Fig. 6: Identifying Intake Manifold Plenum Supports](#)**  
Courtesy of NISSAN MOTOR CO., U.S.A.

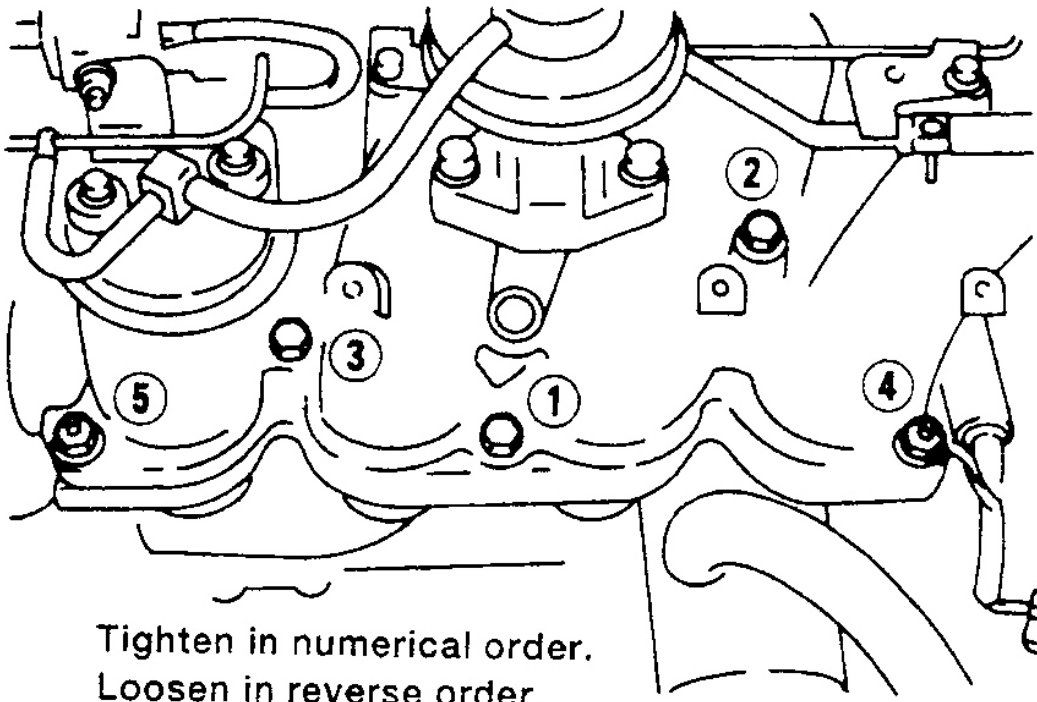
FRONT OF ENGINE ➔



G92G01564

**Fig. 7: Intake Manifold Tightening Sequence**

Courtesy of NISSAN MOTOR CO., U.S.A.



G00082784

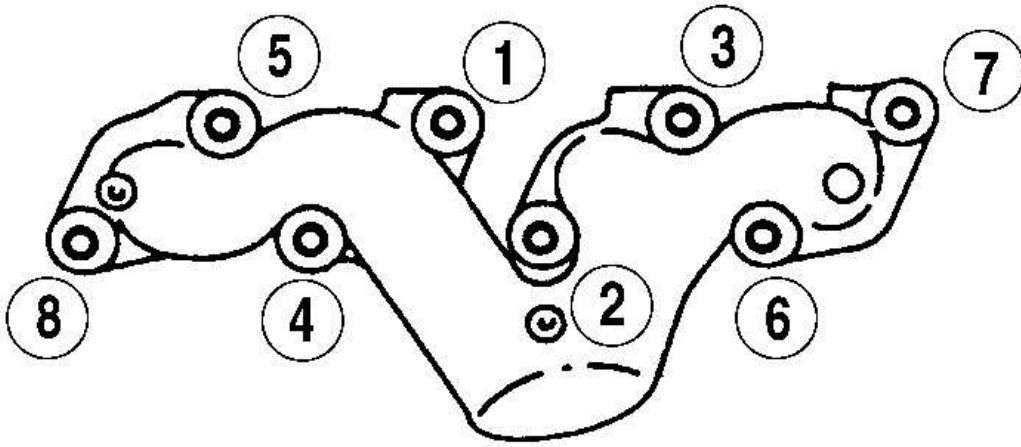
**Fig. 8: Intake Manifold Plenum Tightening Sequence**

Courtesy of NISSAN MOTOR CO., U.S.A.

## EXHAUST MANIFOLD

### Removal & Installation

Disconnect exhaust pipe from manifold. Remove exhaust manifold heat shield. Remove exhaust manifold. To install, reverse removal procedure. Tighten nuts and bolts to specification in sequence. See **Fig. 9**. See **TORQUE SPECIFICATIONS**.



G00008457

**Fig. 9: Exhaust Manifold Tightening Sequence**  
Courtesy of NISSAN MOTOR CO., U.S.A.