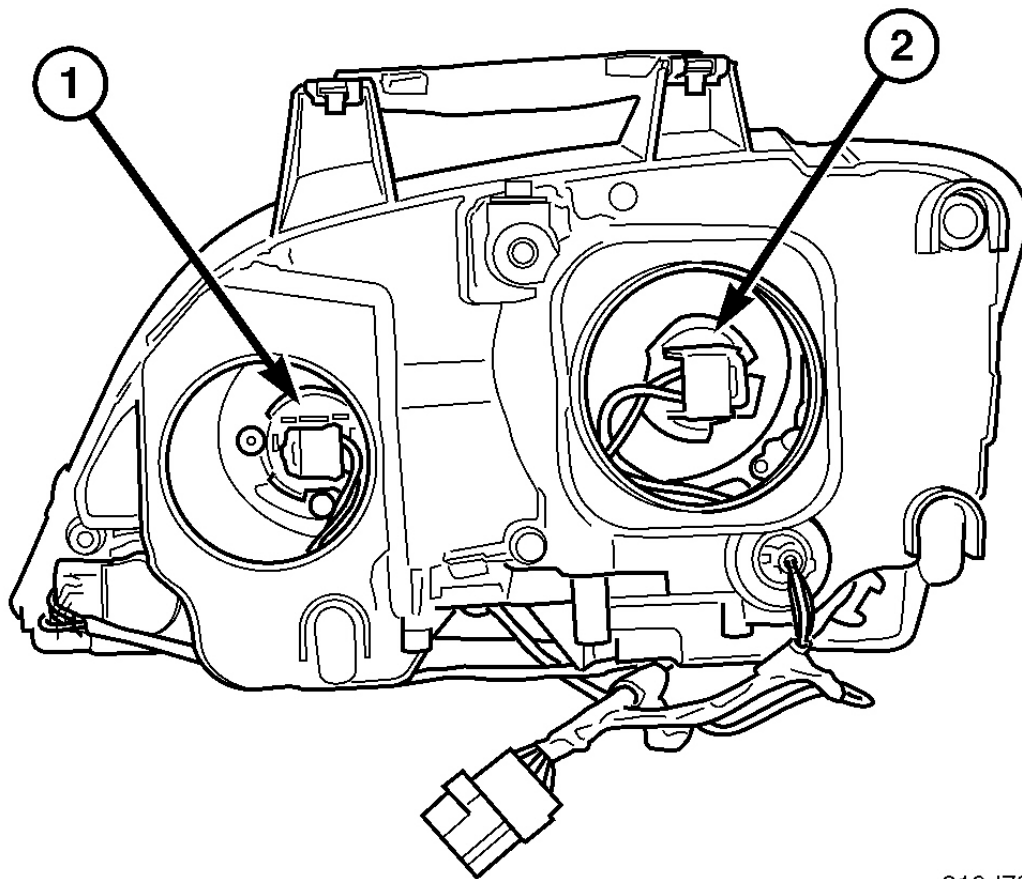


HALOGEN HEADLAMP

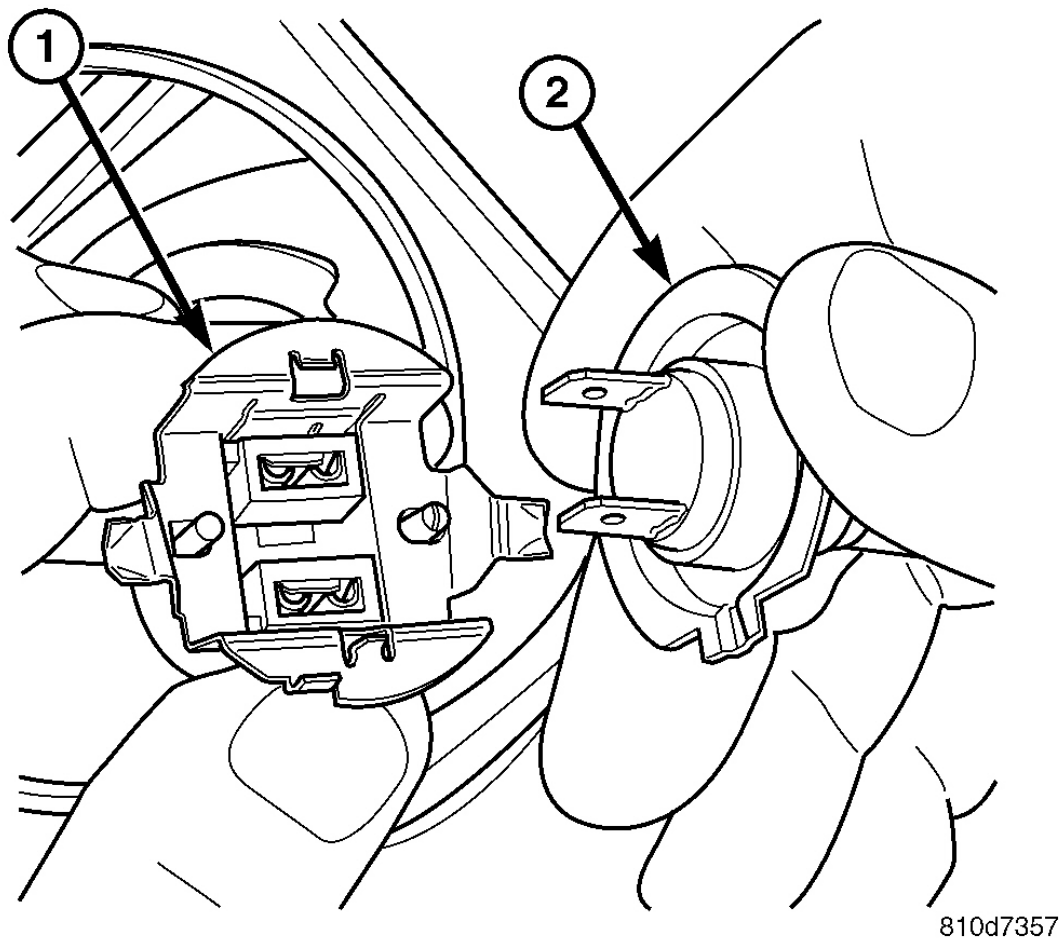


810d7326

**Fig. 15: Halogen Headlamp Unit**  
Courtesy of DAIMLERCHRYSLER CORP.

1 - HEADLAMP HIGH BEAM  
2 - HEADLAMP LOW BEAM

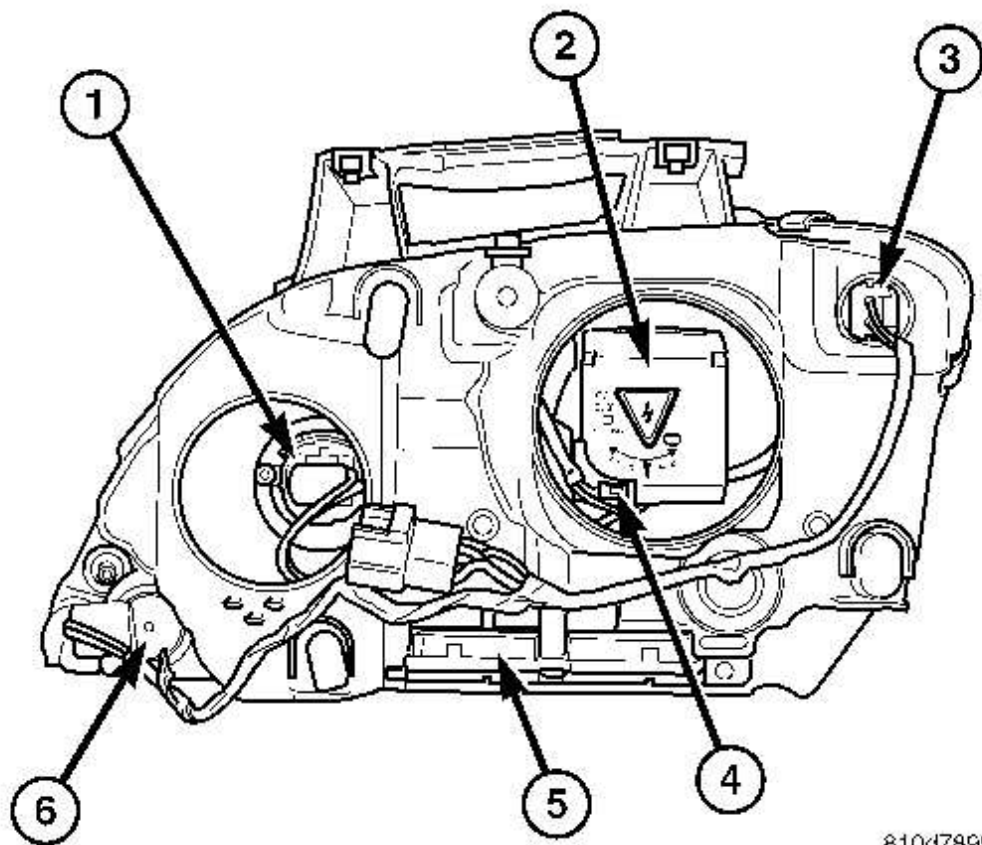
1. Remove the headlamp unit (**Refer to ELECTRICAL/LAMPS/LIGHTING - EXTERIOR/HEADLAMP UNIT - REMOVAL**).
2. Disconnect the lamp electrical connector. See **Fig. 16**.
3. Remove the rubber boots/seals protecting the lamp from the elements.
4. Twist lamp socket out of headlamp housing.



**Fig. 16: Halogen Lamp From Connector**  
Courtesy of DAIMLERCHRYSLER CORP.

- |   |
|---|
| 1 - HEADLAMP ELECTRICAL CONNECTOR (HALOGEN LAMPS) |
| 2 - HALOGEN LAMP                                  |

**HIGH INTENSITY DISCHARGE (HID) HEADLAMPS (IF EQUIPPED) - LOW BEAM**



810d7899

**Fig. 17: HID Headlamp Unit**  
Courtesy of DAIMLERCHRYSLER CORP.

- 1 - HEADLAMP HIGH BEAM
- 2 - HID HEADLAMP LOW BEAM
- 3 - SIDE MARKER LAMP
- 4 - HID IGNITER ELECTRICAL CONNECTOR
- 5 - HID BALLAST MODULE
- 6 - TURN SIGNAL LAMP

**HEADLAMP**

1. Remove the headlamp unit (**Refer to ELECTRICAL/LAMPS/LIGHTING - EXTERIOR/HEADLAMP UNIT - REMOVAL**).

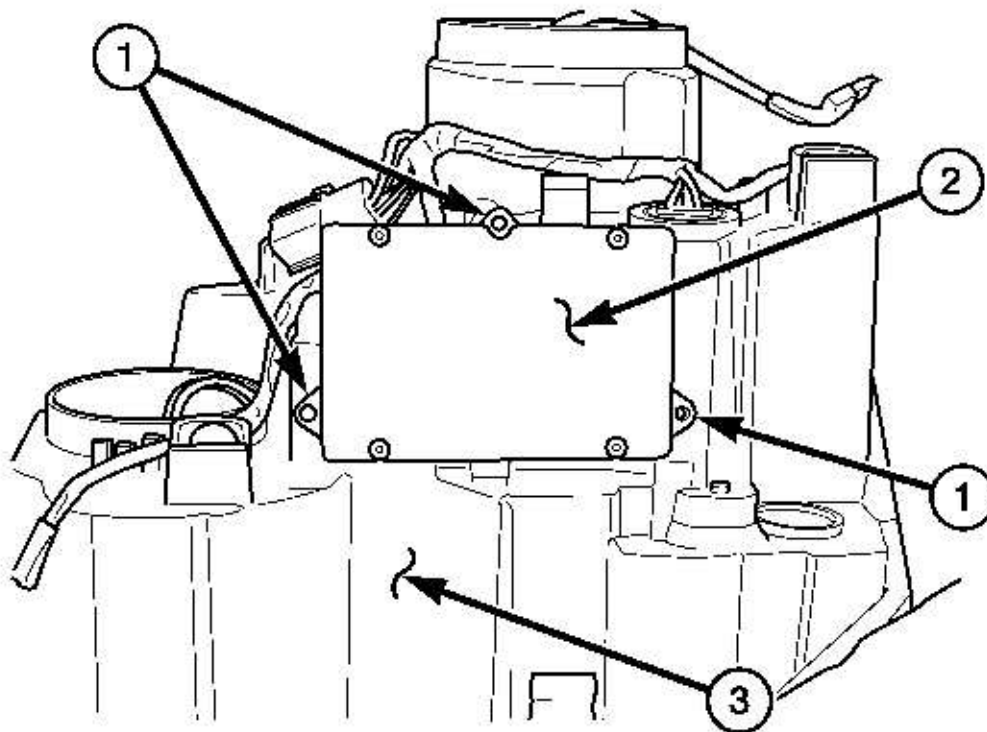
2. Remove the rubber boots/seals protecting the lamp/igniter from the elements.
3. Grab the igniter and twist counterclockwise approximately 1/4 turn. There is an arrow pointing which direction to turn. See **Fig. 17**. The igniter electrical connector will disengage when this happens, unlocking the igniter from the HID lamp.
4. Pull the igniter straight out of the headlamp unit.
5. Pull lamp straight out of igniter.

**IGNITER**

1. Remove the headlamp unit (**Refer to ELECTRICAL/LAMPS/LIGHTING - EXTERIOR/HEADLAMP UNIT - REMOVAL**).
2. Remove the rubber boots/seals protecting the lamp/igniter from the elements.
3. Grab the igniter and twist counterclockwise approximately 1/4 turn. There is an arrow pointing which direction to turn. See **Fig. 17**. The igniter electrical connector will disengage when this happens, unlocking the igniter from the HID lamp.
4. Pull the igniter straight out of the headlamp unit.

**BALLAST MODULE**

1. Remove the headlamp unit (**Refer to ELECTRICAL/LAMPS/LIGHTING - EXTERIOR/HEADLAMP UNIT - REMOVAL**).
2. Remove the three retaining screws. See **Fig. 18**.

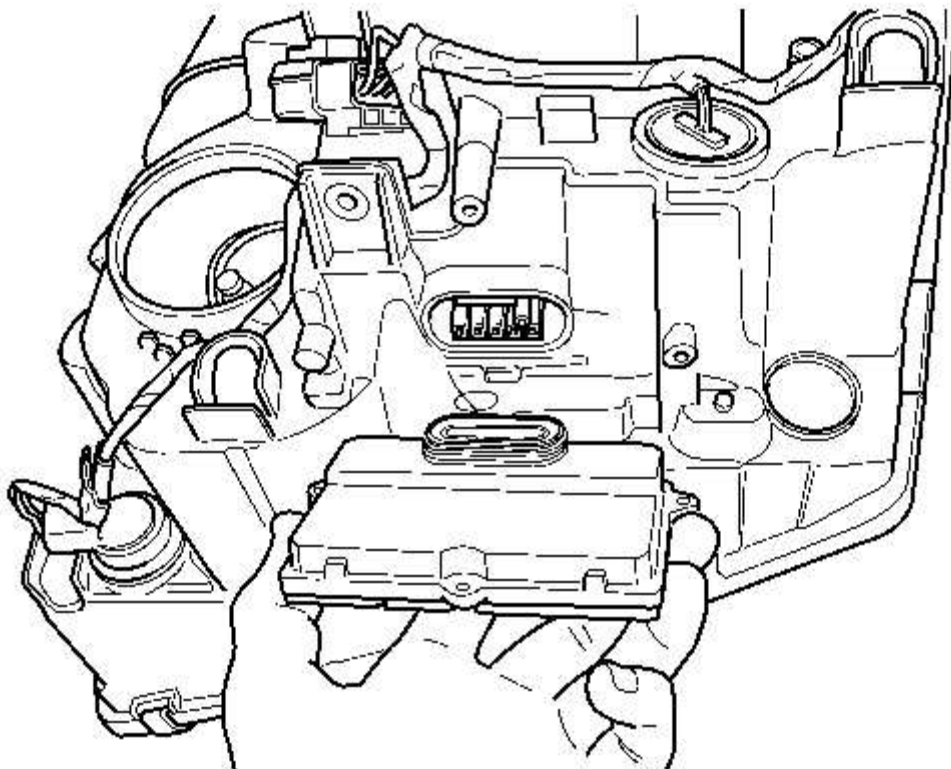


810dbdd9

**Fig. 18: Ballast Module Mounting**  
Courtesy of DAIMLERCHRYSLER CORP.

- |  |
|--|
| 1 - BALLAST MODULE RETAINING SCREWS<br>2 - BALLAST MODULE<br>3 - HID HEADLAMP UNIT |
|--|

3. Remove the ballast module from headlamp unit. See **Fig. 19**.



810dbddd

**Fig. 19: Ballast Module - Remove/Install**  
Courtesy of DAIMLERCHRYSLER CORP.

## INSTALLATION

**CAUTION:** Do not touch the glass of HID or halogen lamps with fingers or other possibly oily surface. Reduced lamp life will result.

## HALOGEN HEADLAMP

1. Place the headlamp in the lamp socket, being careful to align the lamp with the socket index.
2. Place lamp socket into the headlamp housing. See **Fig. 15**.
3. Connect the lamp electrical connector. See **Fig. 16**.
4. Install the rubber boots/seals protecting the lamp from the elements.

5. Install the headlamp unit ([Refer to ELECTRICAL/LAMPS/LIGHTING - EXTERIOR/HEADLAMP UNIT - INSTALLATION](#)).

**HIGH INTENSITY DISCHARGE (HID) HEADLAMPS (IF EQUIPPED) - LOW BEAM**

**HEADLAMP**

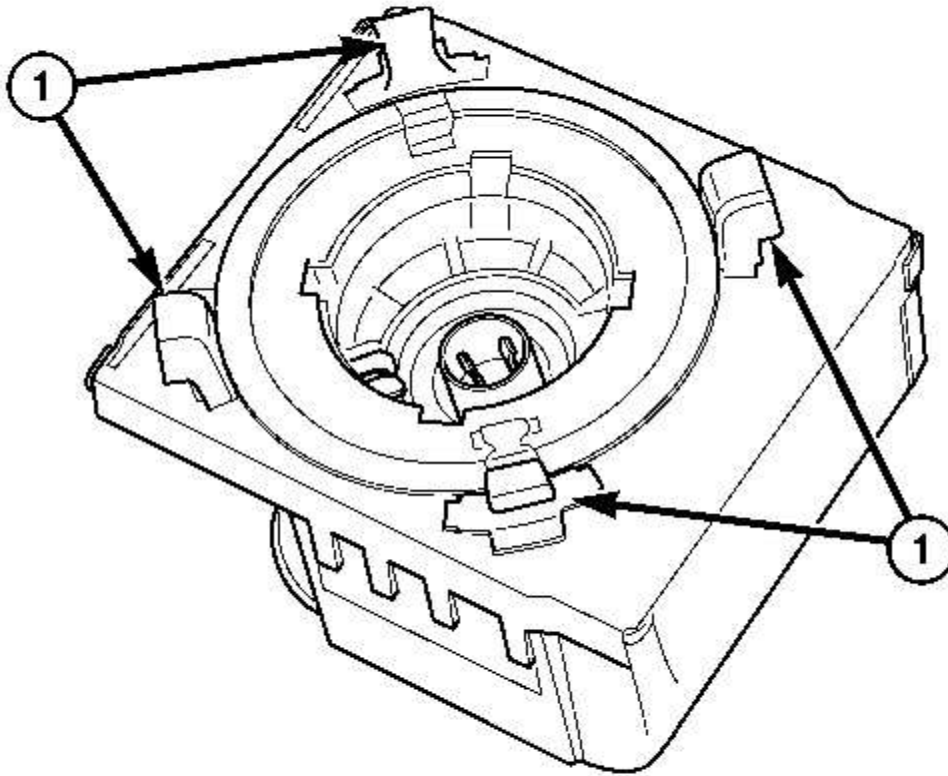
1. Place the headlamp into the lamp opening of headlamp unit, being careful to align the lamp to the indexes.

Make sure the slots on the igniter are lined up. If not, use a small screwdriver to align them. See [Fig. 20](#).

2. Place the igniter on the HID lamp. Do not at this time connect the igniter electrical connector. It will make it unable to twist the igniter to the closed position.
3. Twist the igniter clockwise to close/lock it into place.
4. Position the igniter electrical connector and firmly snap into place. See [Fig. 21](#).
5. Install the rubber boots/seals protecting the lamp/igniter from the elements.
6. Install the headlamp unit ([Refer to ELECTRICAL/LAMPS/LIGHTING - EXTERIOR/HEADLAMP UNIT - INSTALLATION](#)).

**IGNITER**

Make sure the slots on the igniter are lined up. If not, use a small screwdriver to align them. See [Fig. 20](#).



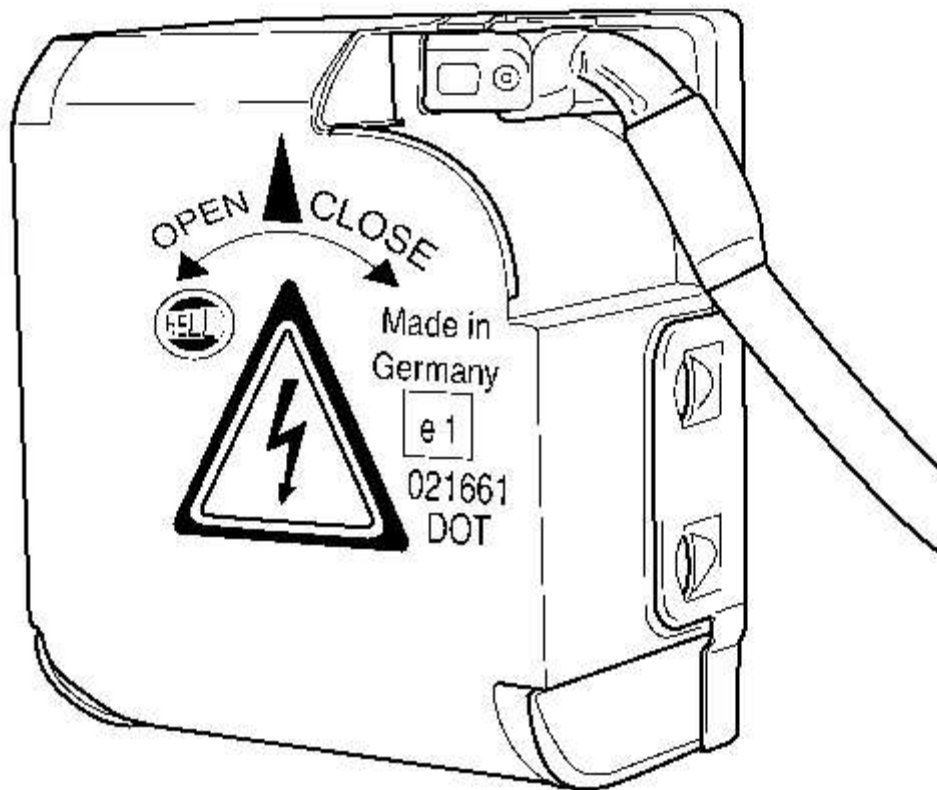
810dd21e

**Fig. 20: Igniter Underside**

Courtesy of DAIMLERCHRYSLER CORP.

**1 - IGNITER RETAINING HOOKS**

1. Place the igniter on the HID lamp. Do not at this time connect the igniter electrical connector. It will make it unable to twist the igniter to the closed position.
2. Twist the igniter clockwise to close/lock it into place.
3. Position the igniter electrical connector and firmly snap into place. See **Fig. 21**.



810dd226

**Fig. 21: Igniter Electrical Connection**  
 Courtesy of DAIMLERCHRYSLER CORP.

4. Install the rubber boots/seals protecting the lamp/igniter from the elements.
5. Install the headlamp unit (**Refer to ELECTRICAL/LAMPS/LIGHTING - EXTERIOR/HEADLAMP UNIT - INSTALLATION**).

#### BALLAST MODULE

1. Place the ballast module on the headlamp unit. See **Fig. 19**.
2. Install the three retaining screws. See **Fig. 18**
3. Install the headlamp unit (**Refer to ELECTRICAL/LAMPS/LIGHTING - EXTERIOR/HEADLAMP UNIT - INSTALLATION**).