

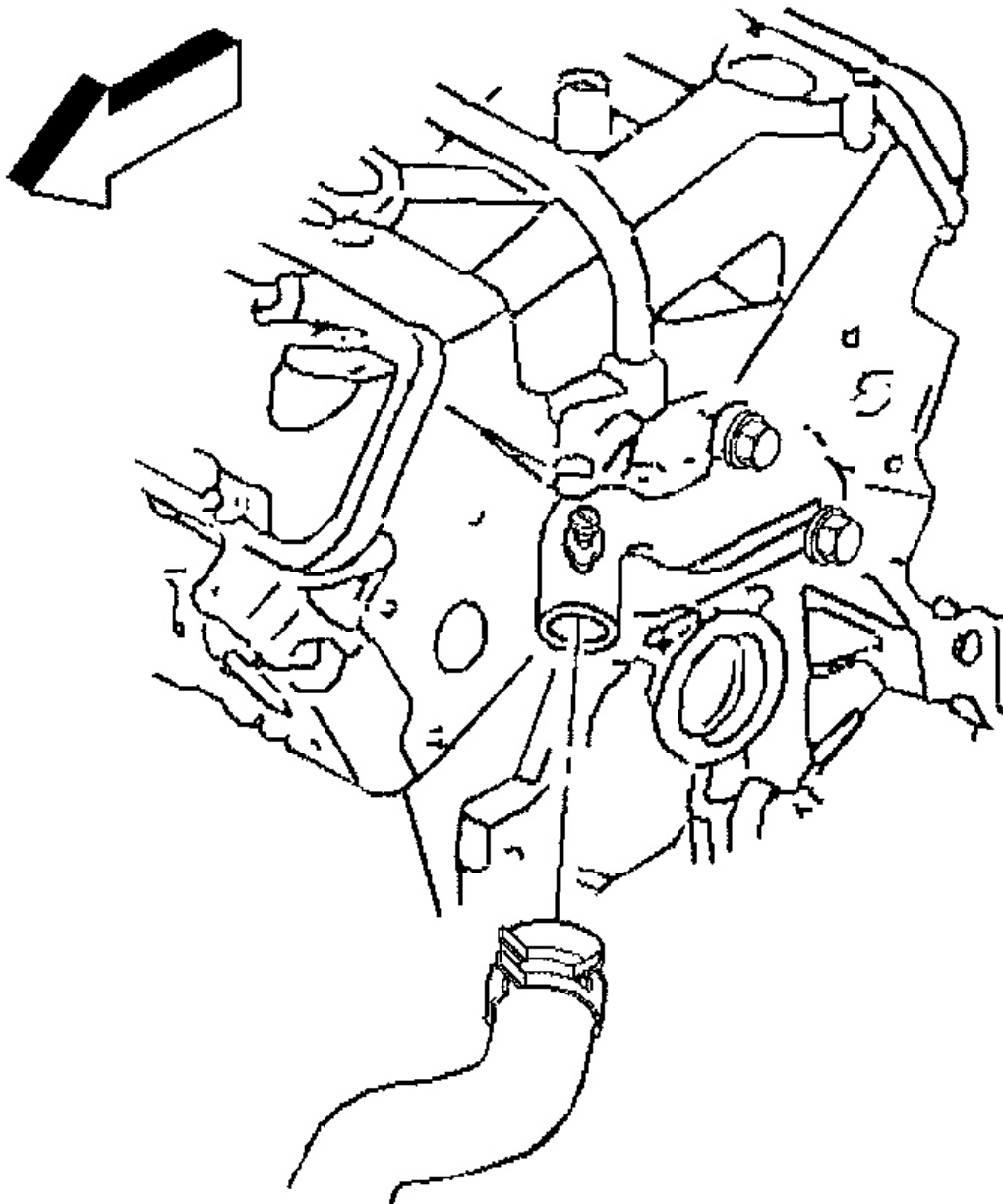
THERMOSTAT REPLACEMENT (3.1 L)

Tools Required

J 38185 Hose Clamp Pliers

Removal Procedure

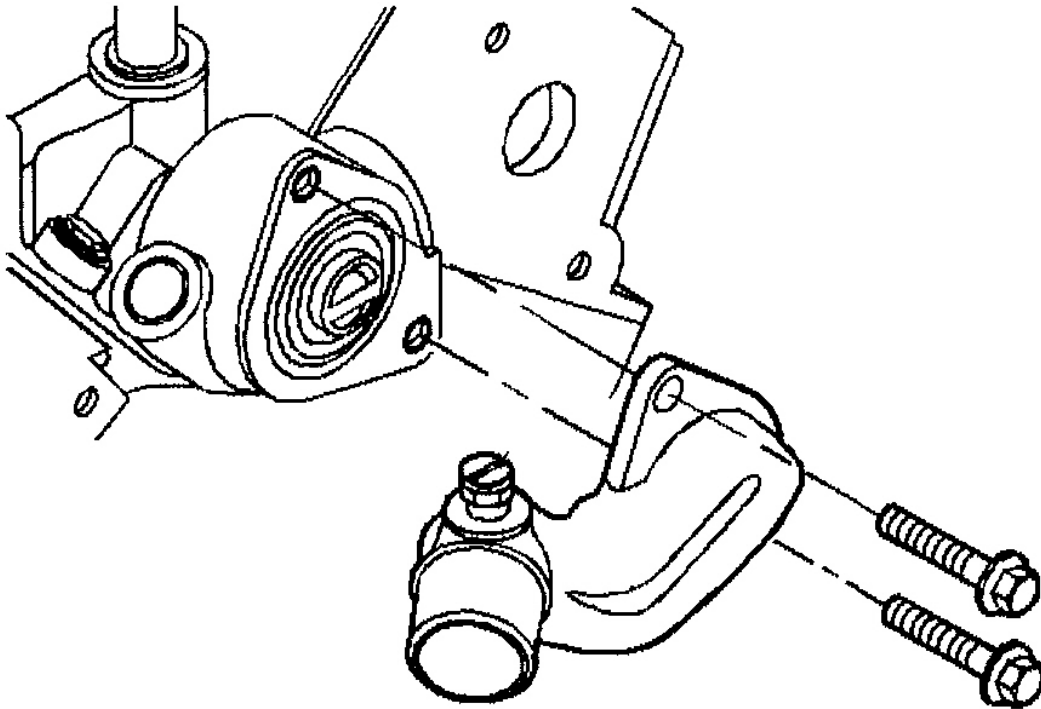
1. Remove the air cleaner intake duct. Refer to **AIR CLEANER INTAKE DUCT** .
2. Partially drain the cooling system. Refer to **Draining and Filling Cooling System** .
3. Use the *J 38185* in order reposition the hose clamp from the water outlet housing.
4. Remove the radiator inlet hose from the water outlet housing.
5. Remove the exhaust crossover pipe. Refer to **EXHAUST CROSSOVER PIPE REPLACEMENT (3.1L)** or **EXHAUST CROSSOVER PIPE REPLACEMENT (3.8L)** .



G01703859

Fig. 74: Radiator Inlet Hose & Water Outlet Housing
Courtesy of GENERAL MOTORS CORP.

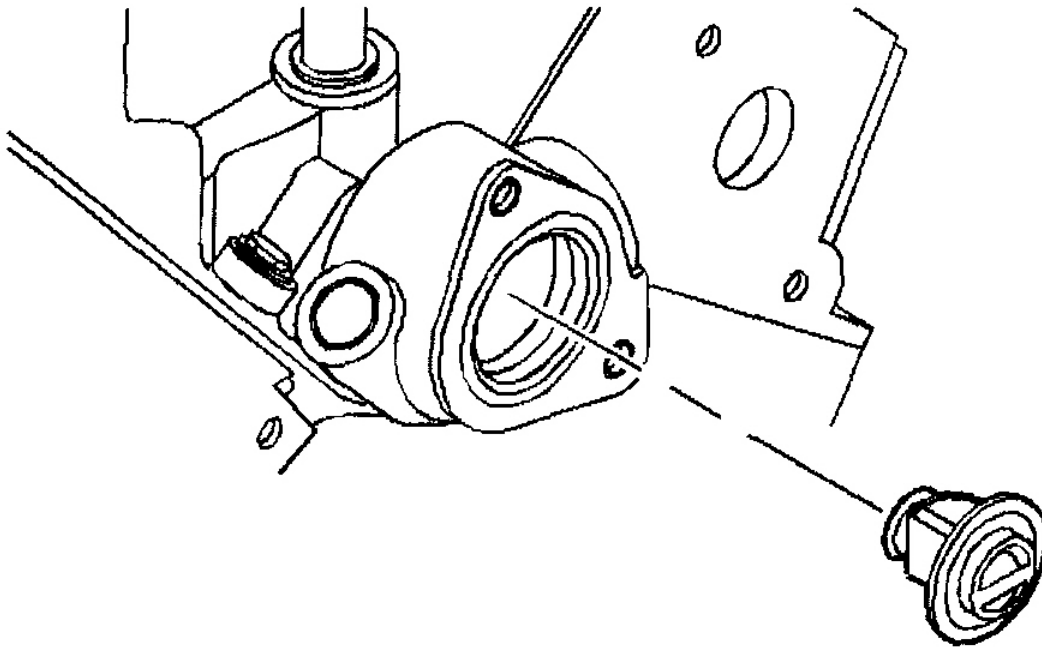
6. Remove the water outlet housing bolts.
7. Remove the water outlet housing and gasket.



G01703860

Fig. 75: Water Outlet Housing & Bolts
Courtesy of GENERAL MOTORS CORP.

8. Remove the thermostat.
9. Clean the water outlet housing mating surfaces.

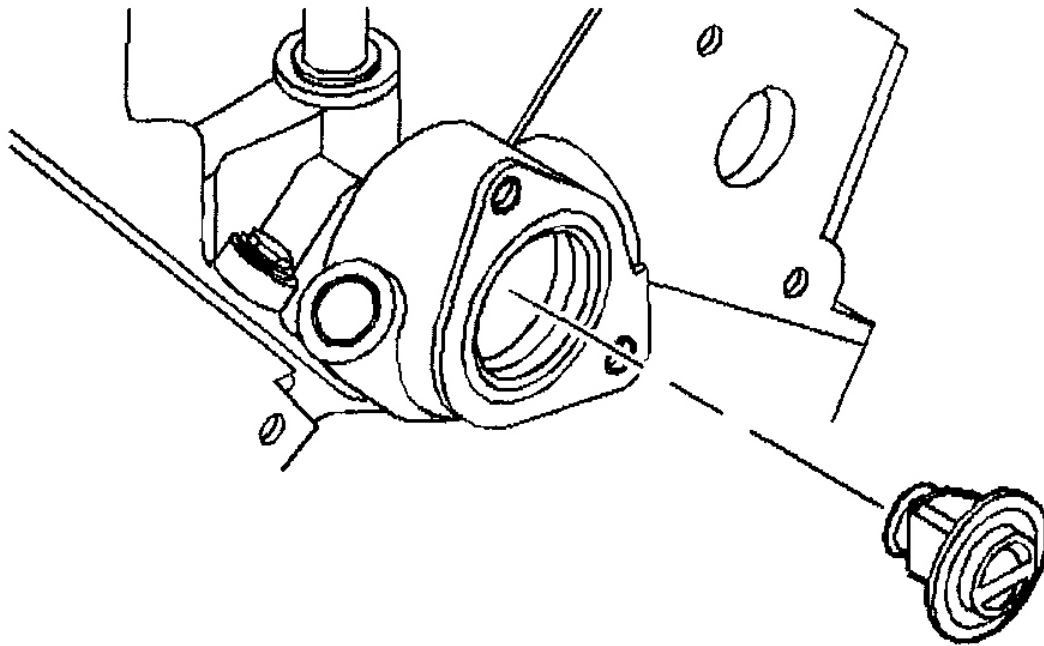


G01703861

Fig. 76: Thermostat & Water Outlet Housing
Courtesy of GENERAL MOTORS CORP.

Installation Procedure

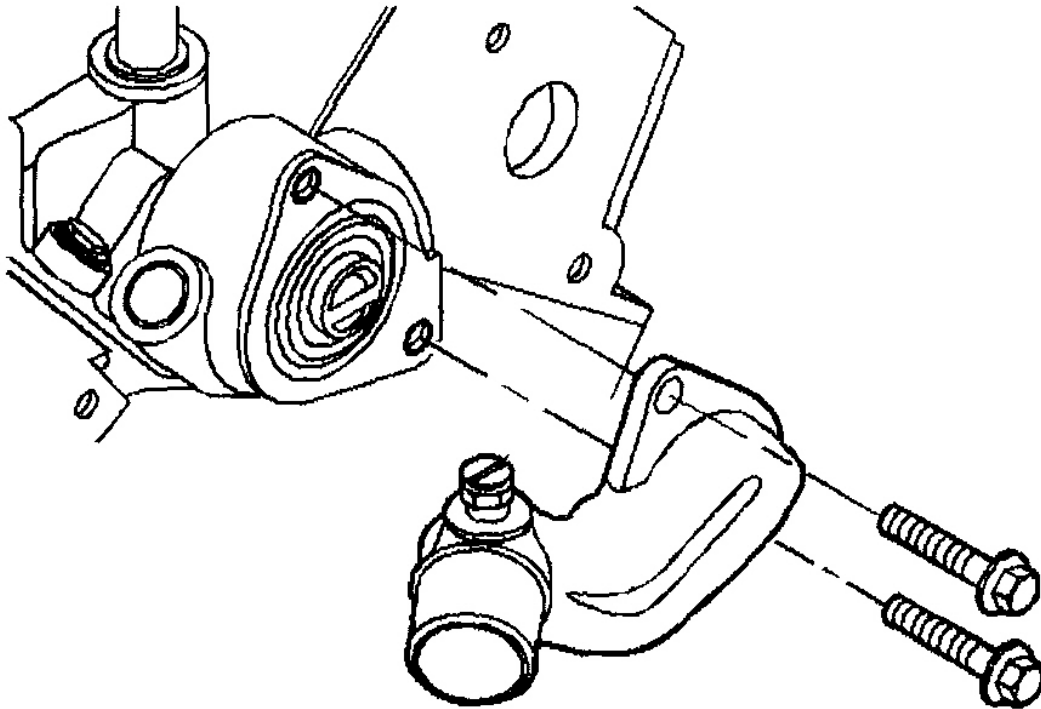
1. Install the thermostat.



G01703862

Fig. 77: Thermostat
Courtesy of GENERAL MOTORS CORP.

2. Install the water outlet gasket and the water outlet housing.



G01703863

Fig. 78: Water Outlet Housing
Courtesy of GENERAL MOTORS CORP.

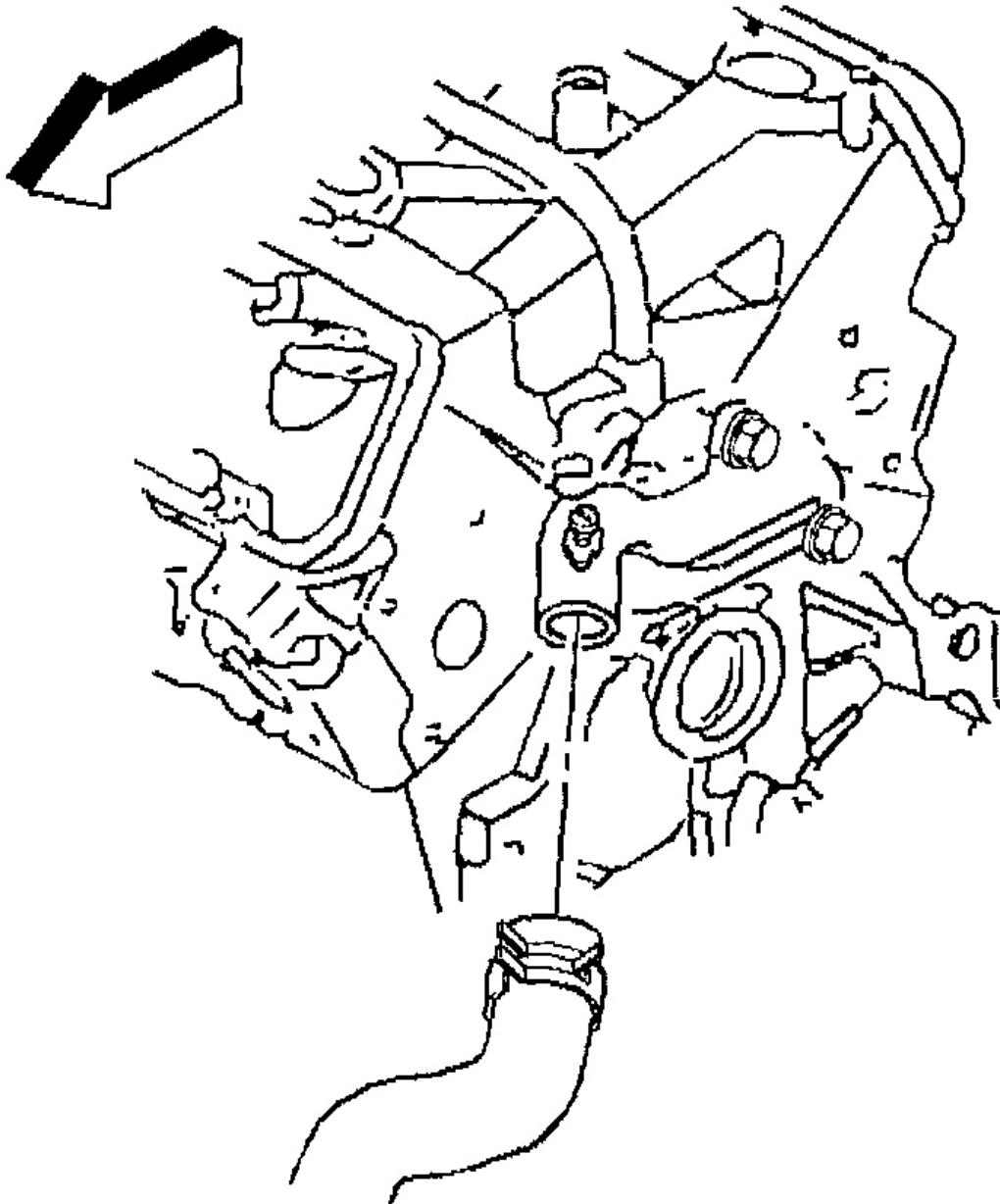
NOTE: Refer to [FASTENER NOTICE](#) .

3. Install the water outlet housing bolts.

Tighten

Tighten the water outlet housing bolts to 25 N.m (18 Ib ft).

4. Install the exhaust crossover pipe. Refer to [EXHAUST CROSSOVER PIPE REPLACEMENT \(3.1L\)](#) or [EXHAUST CROSSOVER PIPE REPLACEMENT \(3.8L\)](#) .
5. Install the radiator inlet hose to the water outlet housing.



G01703864

Fig. 79: Radiator Inlet Hose & Water Outlet Housing
Courtesy of GENERAL MOTORS CORP.

6. Use the *J 38185* in order reposition and install the hose clamp to the water outlet housing.

2002 Pontiac Grand Prix GT

2002 ENGINE Engine Cooling - Grand Prix

7. Install the air cleaner intake duct. Refer to [AIR CLEANER INTAKE DUCT](#) .
8. Fill the cooling system. Refer to [Draining and Filling Cooling System](#) .
9. Inspect for leaks.