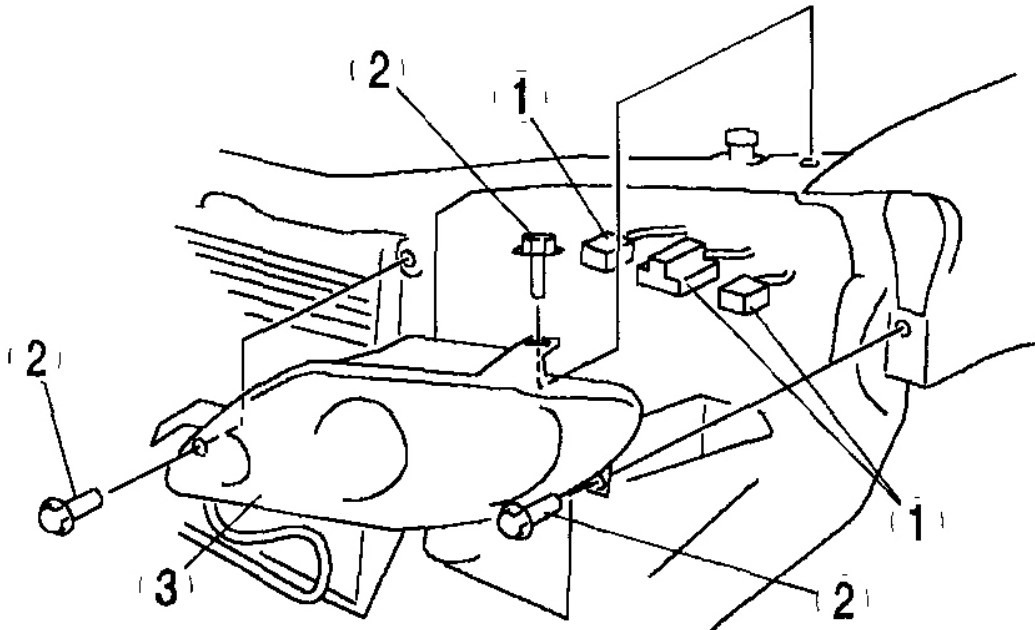


FRONT COMBINATION LIGHT REMOVAL/INSTALLATION

1. Disconnect the negative battery cable.
2. Remove the front bumper. (See [FRONT BUMPER REMOVAL/INSTALLATION](#).)
3. Remove in the order indicated in the figure(s).



G01915321

Fig. 4: Removing Front Combination Light

Courtesy of MAZDA MOTORS CORP.

1	Connector
2	Bolt
3	Front combination light

G01915320

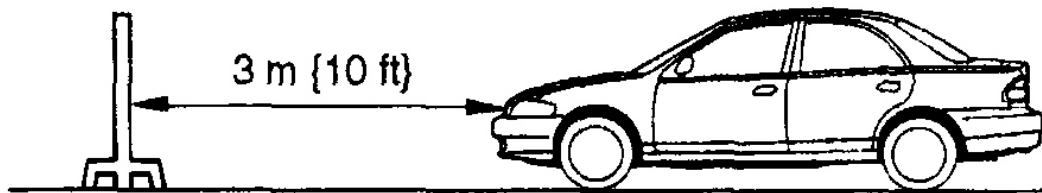
Fig. 5: Front Combination Light Removal Sequence

Courtesy of MAZDA MOTORS CORP.

4. Install in the reverse order of removal.
5. Adjust the headlight aiming. (See **HEADLIGHT ADJUSTMENT** .)

HEADLIGHT ADJUSTMENT

1. Adjust the tire air pressure to the specification.
2. Position the unloaded vehicle on a flat, level surface.
3. Seat one person in the driver's seat.
4. Position the vehicle straight ahead and perpendicular to a wall.
5. Set the headlights **3 m {10 ft}** from the wall.



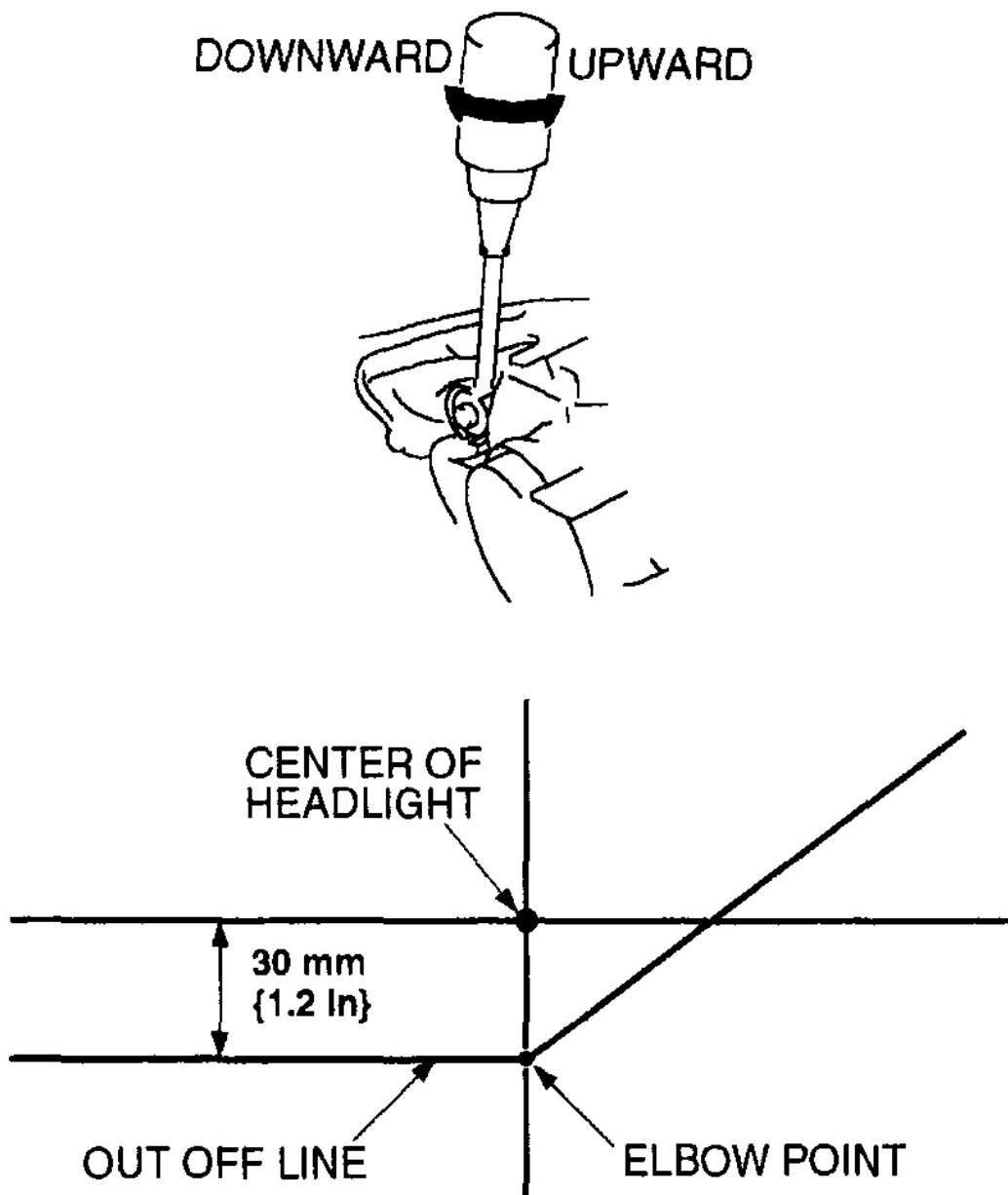
G01915322

Fig. 6: Positioning Vehicle In Front Of Vertical Wall
Courtesy of MAZDA MOTORS CORP.

6. While adjusting one headlight, disconnect the connector of the other.
7. Start the engine to charge the battery.
8. Turn on the low-beam headlight.
9. Adjust the headlights by turning the adjusting screws as shown in the figure. Loosen the screws first, then tighten them.

NOTE:

- If the adjusting screws are tightened first, then loosened, they will continue to loosen when the vehicle is in motion and may cause the headlights to become misaligned.



G01915323

Fig. 7: Adjusting Headlights By Turning Adjusting Screws
Courtesy of MAZDA MOTORS CORP.