

FRONT BUMPER REMOVAL/INSTALLATION

1. Disconnect the negative battery cable.
2. Disconnect the front fog light connector.
3. To remove the bumper reinforcement, remove the front bumper and washer tank, then remove the bumper reinforcement installation nuts.
4. Remove in the order indicated in the table.

1	Screw A
2	Fastener
3	Screw B
4	Bolt
5	Front bumper (See Front Bumper Removal Note.) (See Front Bumper Installation Note.)
6	Front bumper reinforcement

G01914973

[Fig. 13: Identifying Removing Sequence Of Front Bumper \(1 Of 2\)](#)
Courtesy of MAZDA MOTORS CORP.

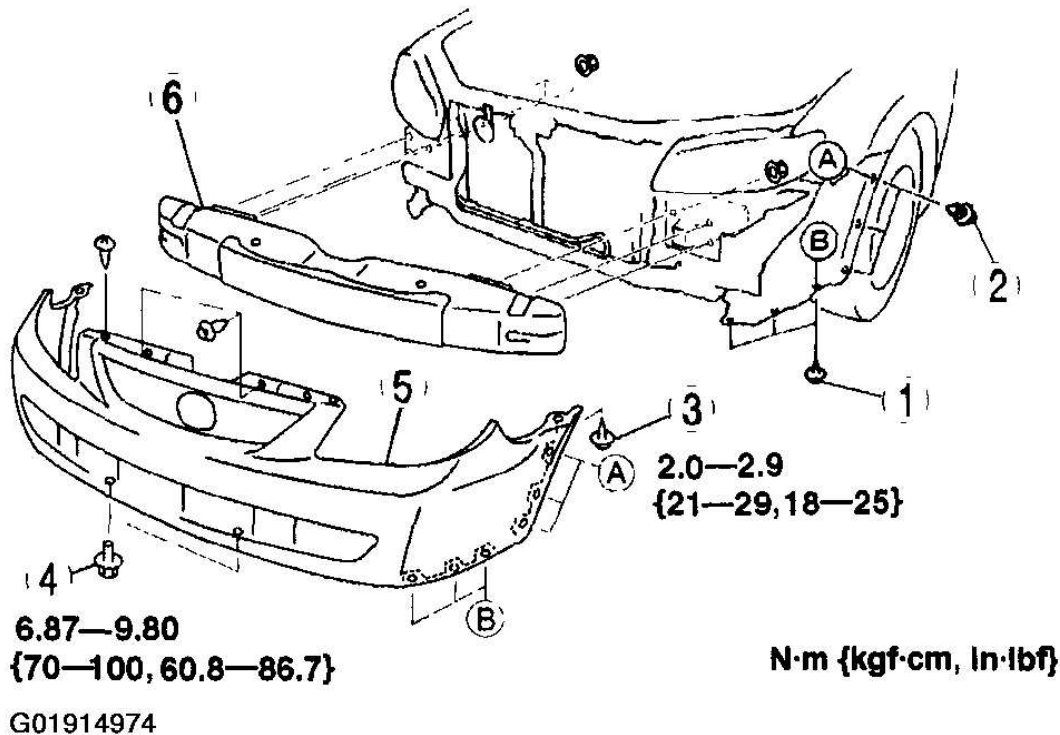


Fig. 14: Identifying Removing Sequence Of Front Bumper (2 Of 2)

Courtesy of MAZDA MOTORS CORP.

5. Install in the reverse order of removal.
6. Adjust the front fog light aiming. (See [FRONT FOG LIGHT ADJUSTMENT](#) .)

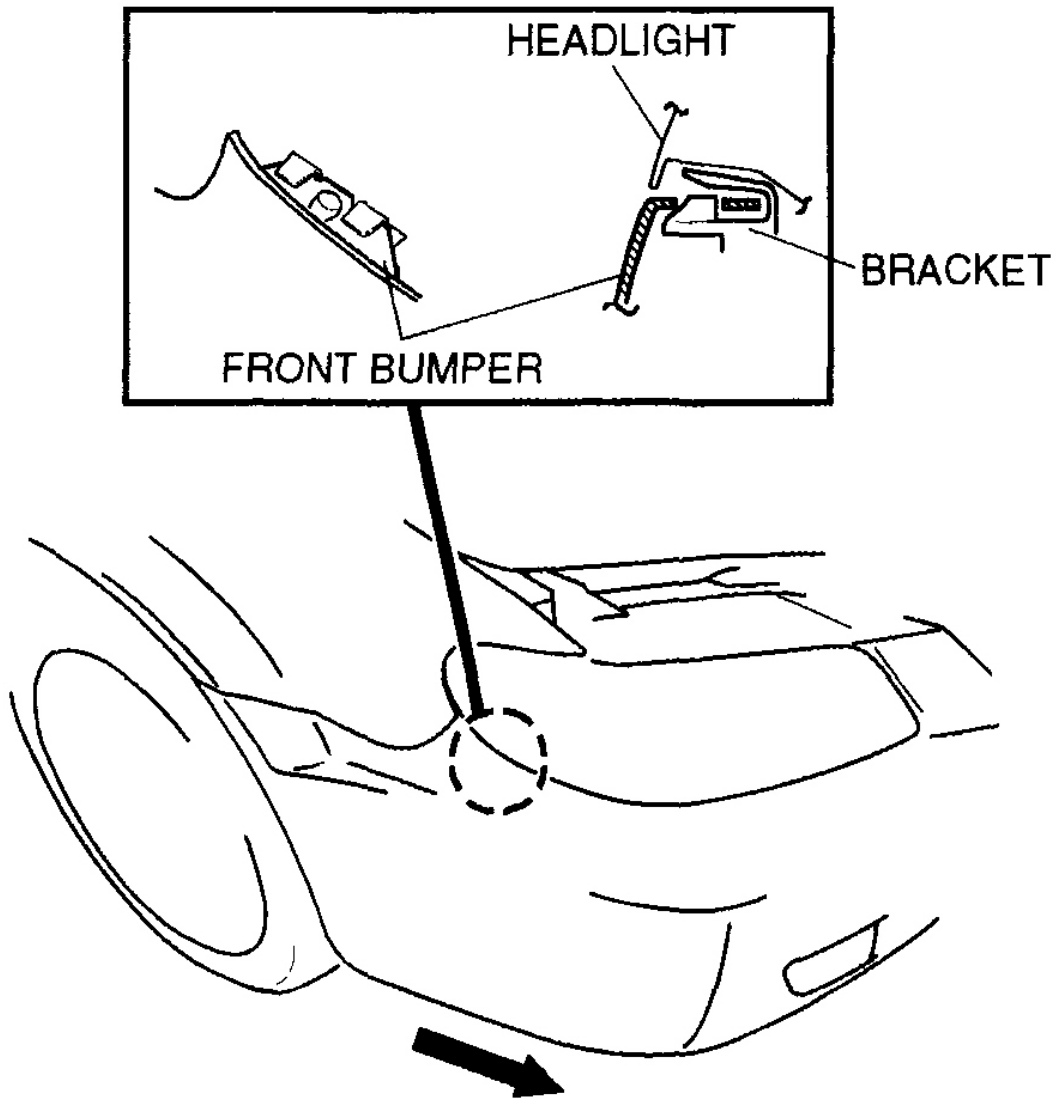
FRONT BUMPER REMOVAL NOTE

1. While supporting the connection between the front bumper and bracket, pull the front bumper forward to disengage the connection.

NOTE:

- The connection between the front bumper and bracket does not disengage until the front bumper is pulled forward. Be sure to pull the front bumper forward to disengage it from the bracket.

2. Remove the front bumper.



G01914975

Fig. 15: Removing Front Bumper
Courtesy of MAZDA MOTORS CORP.