

HYUNDAI

2.4L 4-Cylinder - DOHC

MANUFACTURER'S SUGGESTED SCHEDULED MAINTENANCE

The manufacturer recommends the belt be replaced every 60,000 miles, except in California. In California, inspect timing belt at 60,000 miles, and replace as necessary.

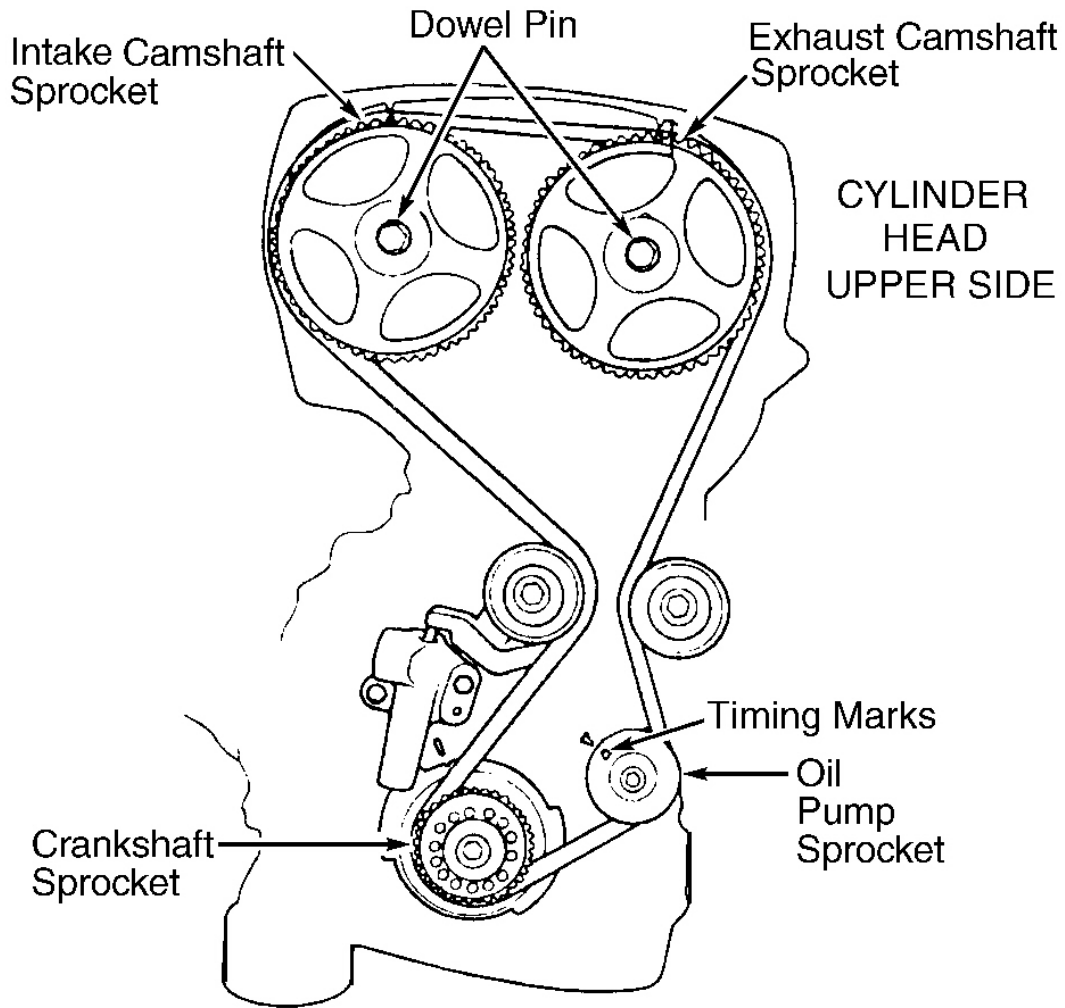
REMOVAL & INSTALLATION

CAUTION: This application is an interference engine. Do not rotate camshaft or crankshaft when timing belt is removed, or engine damage may occur.

TIMING & COUNTERBALANCE SHAFT BELTS**Removal**

CAUTION: DO NOT rotate engine counterclockwise (as viewed from timing belt end of engine). If reusing timing belt, place reference mark on timing belt to indicate direction of rotation before removing.

1. Remove drive belts and drive pulleys from crankshaft and water pump. Remove timing belt covers. To align timing marks, rotate engine clockwise so No. 1 cylinder is at TDC of compression stroke. Ensure camshaft sprocket timing marks align with upper surface of rocker cover. Dowel pin of camshaft sprocket should be pointing upward. See **Fig. 1** and **Fig. 2** .
2. Remove timing belt auto tensioner. If reusing timing belt, place mark on timing belt to indicate direction of belt rotation. Remove timing belt. Remove camshaft sprockets.
3. Remove plug at left side of block and insert a screwdriver to hold left counterbalance shaft in position. Screwdriver will have to be inserted at least 2.36" (60 mm). Remove oil pump sprocket nut and sprocket. See **Fig. 2** .
4. Loosen right counterbalance shaft sprocket mounting bolt. Remove tensioner "B" and timing belt "B". See **Fig. 2** . Remove crankshaft sprocket "B" from crankshaft.

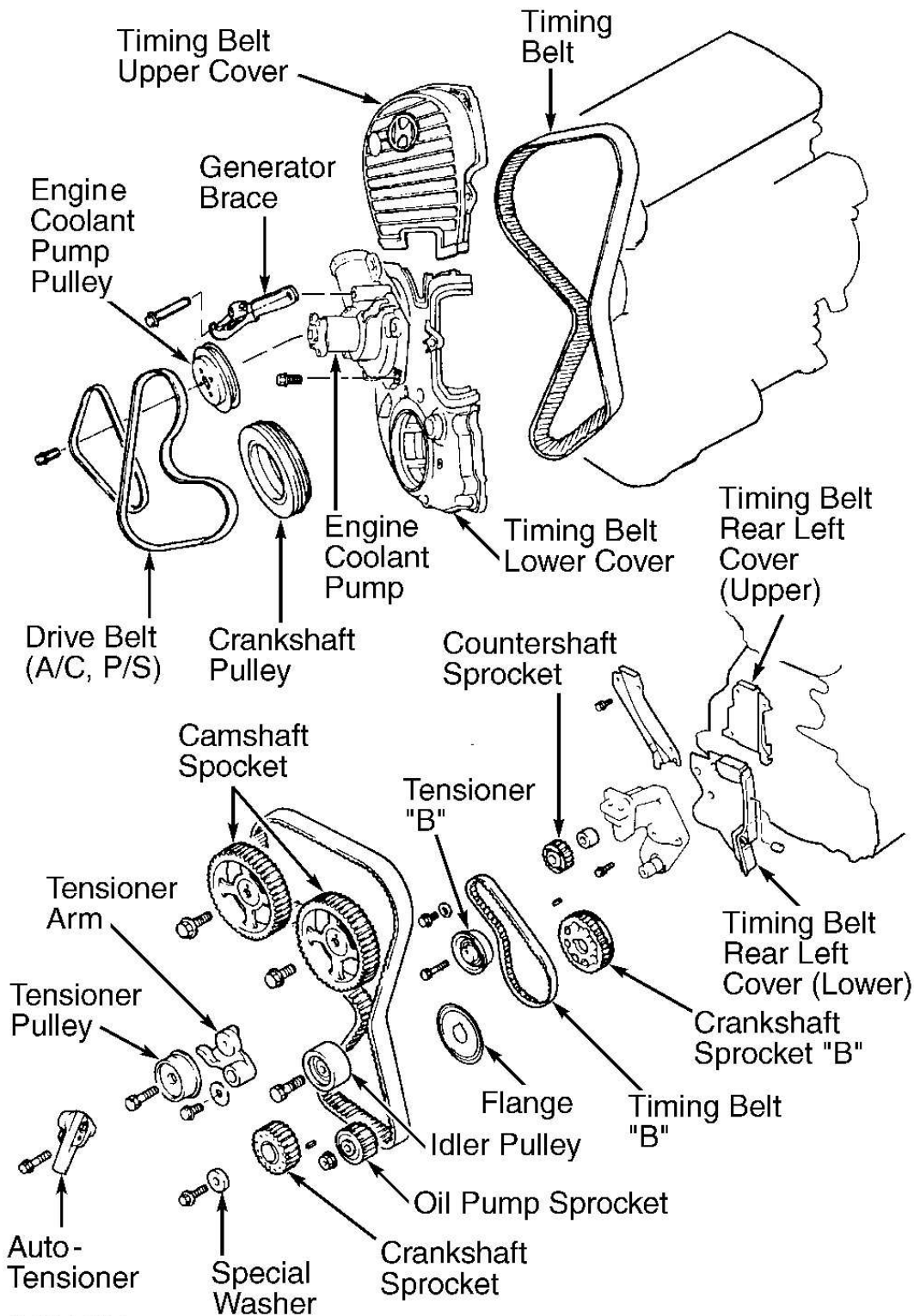


G00010607

Fig. 1: Identifying Timing Belt Alignment Marks
Courtesy of HYUNDAI MOTOR CO.

2002 Hyundai Sonata GLS

HYUNDAI 2.4L 4-Cylinder - DOHC



G00010608

Fig. 2: Exploded View Of Timing Belt & Components
 Courtesy of HYUNDAI MOTOR CO.

Inspection

1. Check belt teeth for cracks, damage and oil contamination. Inspect sprockets for damage. Check tensioner pulley and idler pulley for grease leakage and roughness in rotation. Check sprockets and pulleys for wear, cracks or damage. Replace components if necessary.
2. Measure protrusion of auto tensioner rod. From end of housing, auto tensioner rod should extend .55" (14 mm) on Sonata or .57" (15 mm) on Santa Fe. Replace auto tensioner rod, if not within specification. Place tensioner in a soft-jawed vise, and test resistance of rod. If rod can be easily pushed in with light vise pressure, replace auto tensioner.

Installation

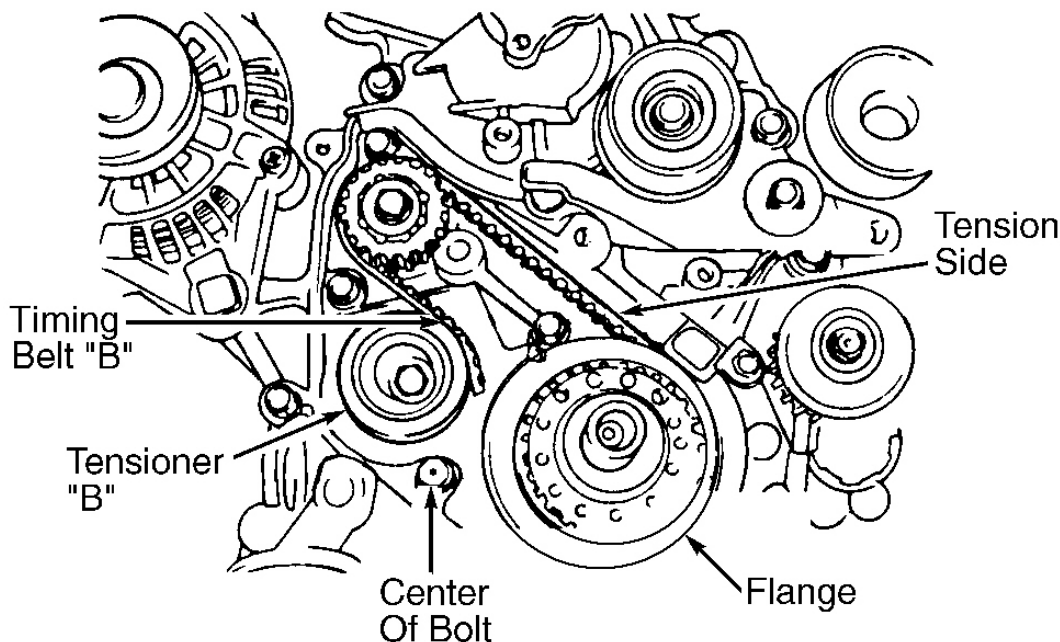
1. Install crankshaft sprocket "B" onto crankshaft. Ensure flange is properly positioned. Lightly oil outer surface of spacer, and then install spacer onto right counterbalance shaft, with rounded edge of spacer inward.
2. Install counterbalance shaft sprocket. Tighten flange bolt tightly by hand. Align timing marks on each sprocket and on front case.
3. When installing timing belt "B", ensure there is no slack in tension side. Install tensioner "B" in center of pulley of left side of mounting bolt, and in pulley flange toward front of engine. See **Fig. 3**. Align timing mark of right counterbalance shaft sprocket with timing mark on front case.
4. To tighten timing belt "B", lift tensioner "B" so tension side is pulled tight. Tighten bolt to secure tensioner "B". DO NOT turn shaft, or belt will be over-tightened.
5. Ensure timing marks are aligned. Ensure center of span on tension side of timing belt "B" can be depressed by hand. Ensure belt deflection is .20-.28" (5-7 mm).
6. Install crankshaft sprocket flange and sprocket. Ensure flange is mounted in proper direction, with chamfered side toward block. Install special washer and sprocket bolt to crankshaft. Tighten sprocket bolt to specification. See **TORQUE SPECIFICATIONS**.
7. Insert long screwdriver through plug hole in left side of cylinder block to hold counterbalance shaft in position. Install oil pump sprocket, and tighten nut to specification. See **TORQUE SPECIFICATIONS**. Install camshaft sprockets, and tighten bolts. See **TORQUE SPECIFICATIONS**.
8. If auto tensioner rod is fully extended, place it in soft-jawed vise, and compress rod slowly until hole in rod lines up with hole in auto tensioner housing. Insert stiff wire to hold rod in this position. Install auto tensioner, leaving wire in place.

CAUTION: If timing marks on camshaft sprockets do not line up properly, DO NOT rotate sprocket more than 2 teeth in either direction, or valve and piston will touch. If necessary to rotate camshaft sprocket more than 2 teeth, rotate crankshaft sprocket counterclockwise first based on the timing mark. After camshaft sprocket is properly timed, return crankshaft to TDC.

9. Install tensioner pulley onto tensioner arm (on 1999-01 models, pin holes should be in approximately 8

and 10 o'clock positions), and tighten bolt to specification. See **TORQUE SPECIFICATIONS** . Set timing marks of camshaft sprockets with notches on upper side of rocker cover and dowel pins straight up. Align crankshaft sprocket timing marks. Align oil pump sprocket timing marks.

10. On 1999-01 models, install timing belt around tensioner pulley and crankshaft sprocket. Secure belt onto tensioner pulley by hand. Pull other side of belt, and install it around oil pump sprocket. Install belt around idler pulley. Install belt around exhaust camshaft sprocket. Turn intake camshaft sprocket one tooth clockwise to align its timing mark with cylinder head top surface. Pull belt with both hands, and install around intake camshaft sprocket. Gently raise tensioner pulley so belt will not sag, and then temporarily tighten center bolt.
11. On 2002-05 models, align timing mark on each sprocket with the corresponding timing mark, and install the timing belt in the following order: crankshaft sprocket, oil pump sprocket, idler pulley, exhaust camshaft sprocket, intake camshaft sprocket, then tensioner pulley.
12. On all models, ensure timing mark of each sprocket is still aligned. When checking alignment of oil pump sprocket timing marks, remove plug from hole in left side of cylinder block and insert long screwdriver 2.36" (60 mm) or more to verify that counterbalance shaft is in position. After checking timing mark, reinstall plug using liquid gasket. Remove wire from auto tensioner.
13. Rotate crankshaft 2 complete turns clockwise. Leave in this position for about 15 minutes. Measure auto tensioner protrusion "A" (distance between tensioner arm and auto tensioner body). Ensure auto tensioner protrusion is .24-.31" (6-8 mm). See **Fig. 4** . Install timing belt lower cover and upper cover. Note proper location of each bolt. See **Fig. 5** or **Fig. 6** .



G00010610

Fig. 3: Installing Tensioner "B"

Courtesy of HYUNDAI MOTOR CO.

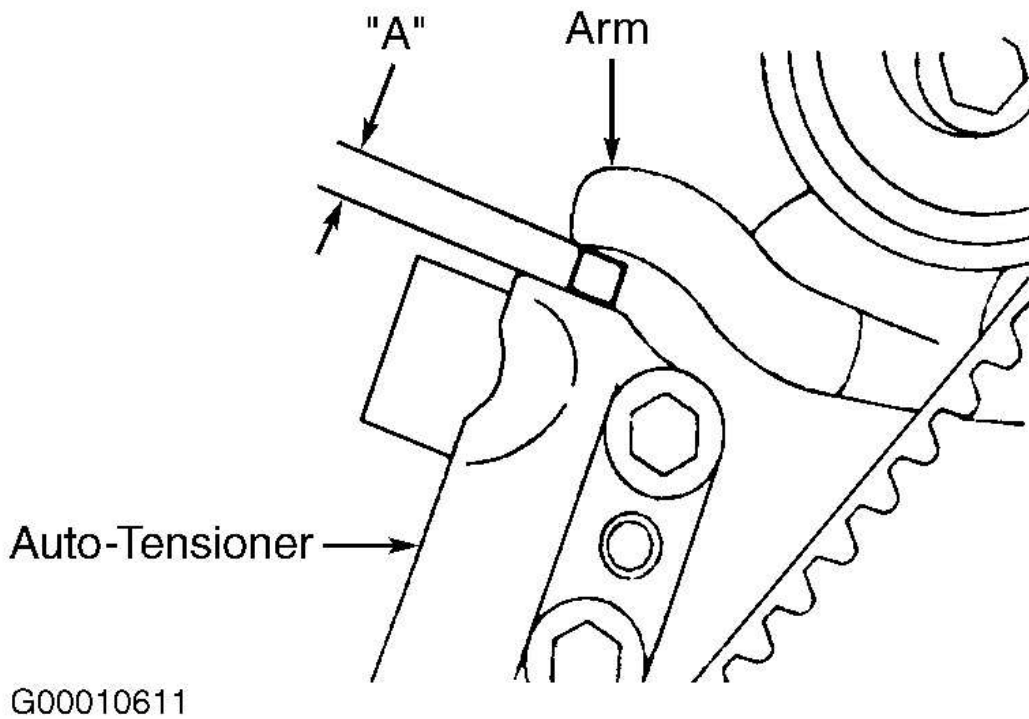
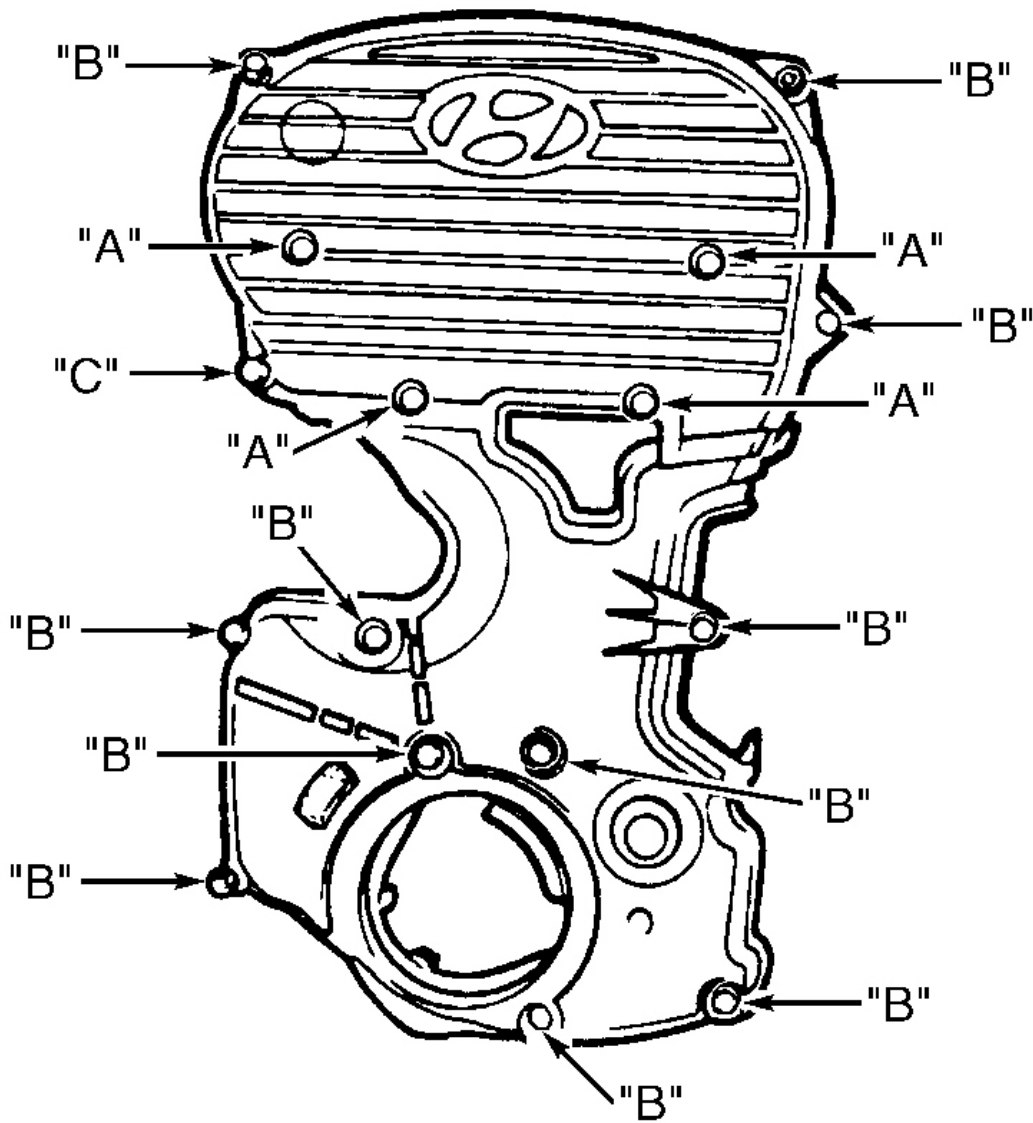


Fig. 4: Measuring Auto Tensioner Protrusion
Courtesy of HYUNDAI MOTOR CO.



NOTE: Tread diameter x thread length (mm).

A: 6x 10

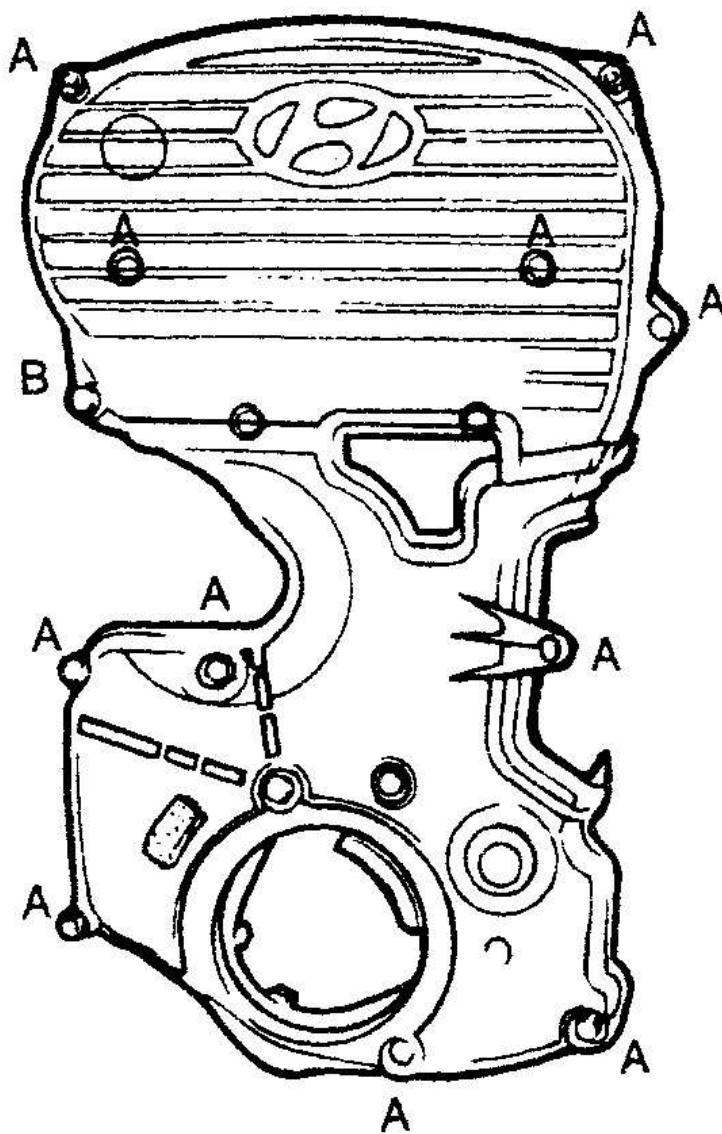
B: 6x 25

C: 6x 28

G00010612

Fig. 5: Identifying Timing Belt Cover Bolts (1999-01 Sonata)

Courtesy of HYUNDAI MOTOR CO.



A: 6-7 ft. lbs. (8-10 N.m)

B: 7-9 ft. lbs. (10-12 N.m)

G00040613

Fig. 6: Identifying Timing Belt Cover Bolts (Santa Fe & 2002-05 Sonata)
Courtesy of HYUNDAI MOTOR CO.

TORQUE SPECIFICATIONS

2002 Hyundai Sonata GLS

HYUNDAI 2.4L 4-Cylinder - DOHC

TORQUE SPECIFICATIONS

Application	Ft. Lbs. (N.m)
Auto Tensioner Bolt	14-20 (20-27)
Camshaft Sprocket Bolt	58-72 (80-100)
Crankshaft Sprocket Bolt	116-123 (157-167)
Crankshaft Pulley-To Crankshaft Sprocket Bolt	14-22 (20-30)
Front Case Bolt	14-20 (20-27)
Front Case Plug Cap	14-20 (20-27)
Oil Pump Sprocket Nut	36-43 (50-60)
Tensioner Arm Assembly	12-19 (17-26)
Tensioner Pulley Bolt	31-40 (42-54)
Tensioner Pulley Bracket Bolt	17-20 (23-27)
Timing Belt Cover Bolts	
Lower & Upper Cover	(1)
Rear Left Cover	
Lower	22-30 (30-42)
Upper	(2)
Right Rear Cover	(2)
Timing Belt Idler Pulley Bolt	
1999-01 Sonata	33-40 (45-55)
Except 1999-01 Sonata	22-30 (30-42)
Water Pump Mounting Bolt	
1999-01 Sonata	11-15 (15-22)
Except 1999-01 Sonata	14-20 (20-27)
INCH Lbs. (N.m)	
Valve Cover Bolts	71-89 (8-10)
Water Pump Pulley Bolt	71-89 (8-10)
(1) Tighten to 71-89 INCH lbs. (8-10 N.m).	
(2) Tighten to 89-106 INCH lbs. (10-12 N.m).	