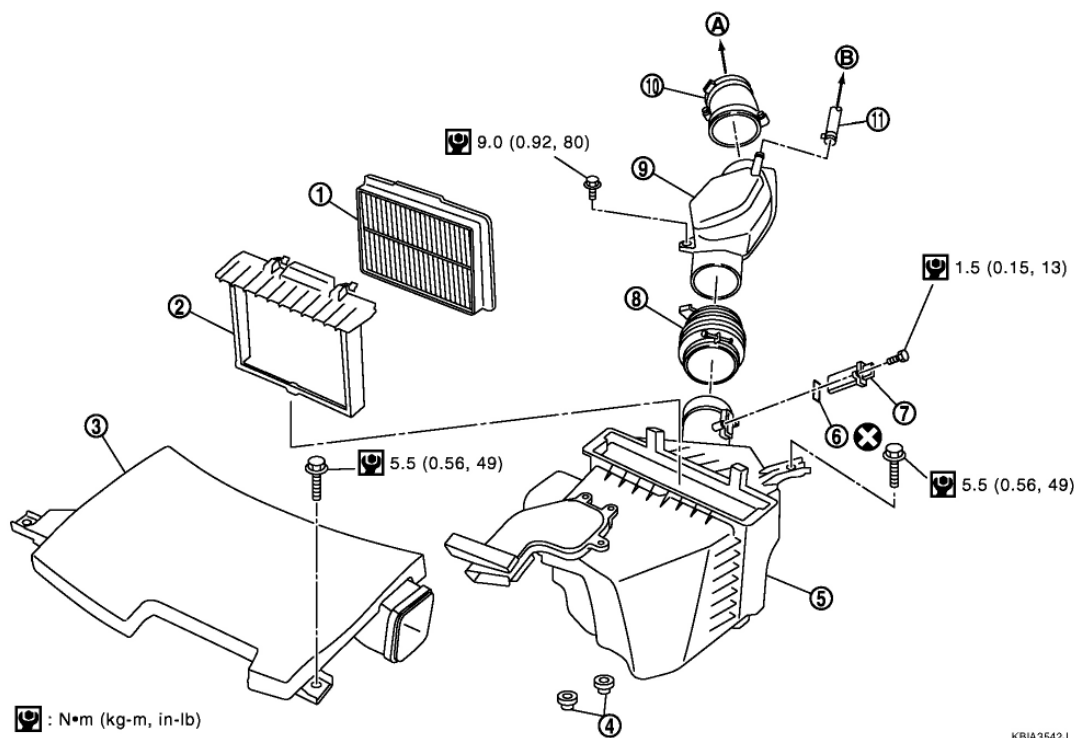


## AIR CLEANER AND AIR DUCT

### COMPONENTS



KBIA3542J

- |  |                                |                     |
|--|--------------------------------|---------------------|
| 1. Air cleaner filter                    | 2. Holder                      | 3. Air duct (inlet) |
| 4. Grommet                               | 5. Air cleaner case            | 6. O-ring           |
| 7. Mass air flow sensor                  | 8. Air hose                    | 9. Air duct         |
| 10. Air hose                             | 11. PCV hose                   |                     |
| A. To electric throttle control actuator | B. To rocker cover (left bank) |                     |

**Fig. 10: Identifying Air Cleaner And Air Duct Components With Torque Specifications**  
 Courtesy of NISSAN MOTOR CO., U.S.A.

- Refer to "**COMPONENTS**" for symbol marks in the figure.

### REMOVAL AND INSTALLATION

#### REMOVAL

- Remove engine room cover (RH and LH). Refer to , "**ENGINE ROOM COVER**".
- Remove air duct (inlet).
- Disconnect mass air flow sensor harness connector.
- Disconnect PCV hose.
- Remove air cleaner case/mass air flow sensor assembly and air duct/air hose disconnecting their joints.

- Add marks as necessary for easier installation.
6. Remove mass air flow sensor from air cleaner case, as necessary.

**CAUTION: Handle mass air flow sensor with the following cares.**

- Do not shock it.
- Do not disassemble it.
- Do not touch its sensor.

#### **INSTALLATION**

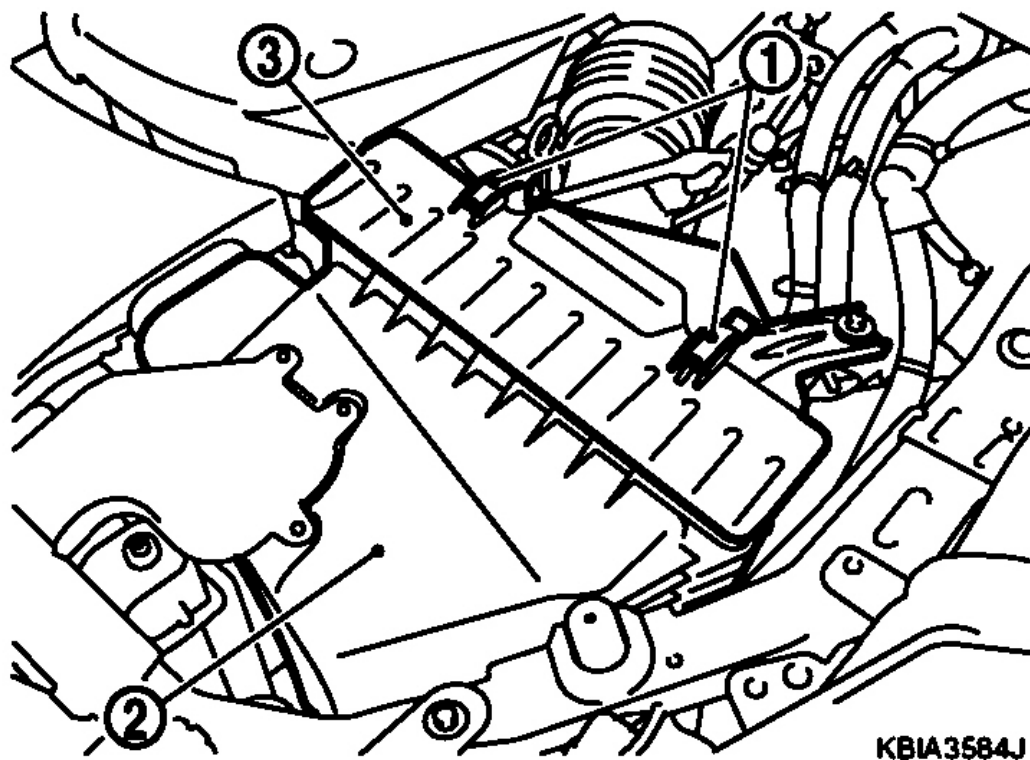
Note the following, and install in the reverse order of removal.

- Align marks. Attach each joint. Screw clamps firmly.

#### **CHANGING AIR CLEANER FILTER**

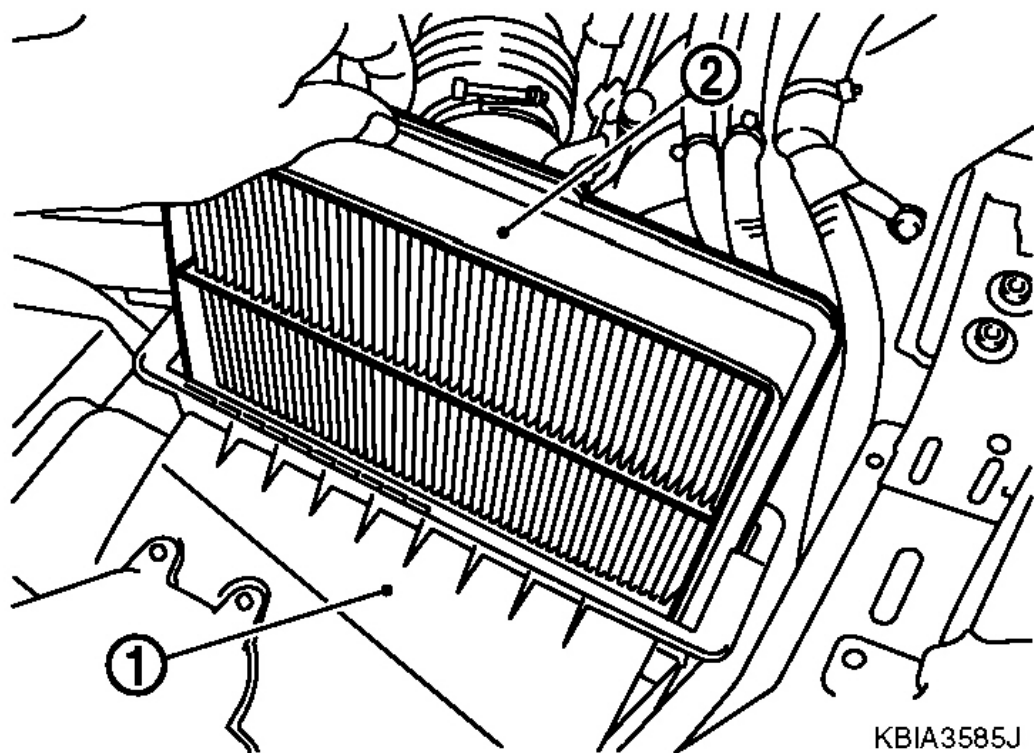
#### **REMOVAL**

1. Remove engine room cover (LH). Refer to , "[ENGINE ROOM COVER](#)".
2. Unhook clips (1) and remove holder (3) from air cleaner case (2).



**Fig. 11: Removing Holder From Air Cleaner Case**  
Courtesy of NISSAN MOTOR CO., U.S.A.

3. Remove air cleaner filter (2) from air cleaner case (1).



**Fig. 12: Removing Air Cleaner Filter From Air Cleaner Case**  
Courtesy of NISSAN MOTOR CO., U.S.A.

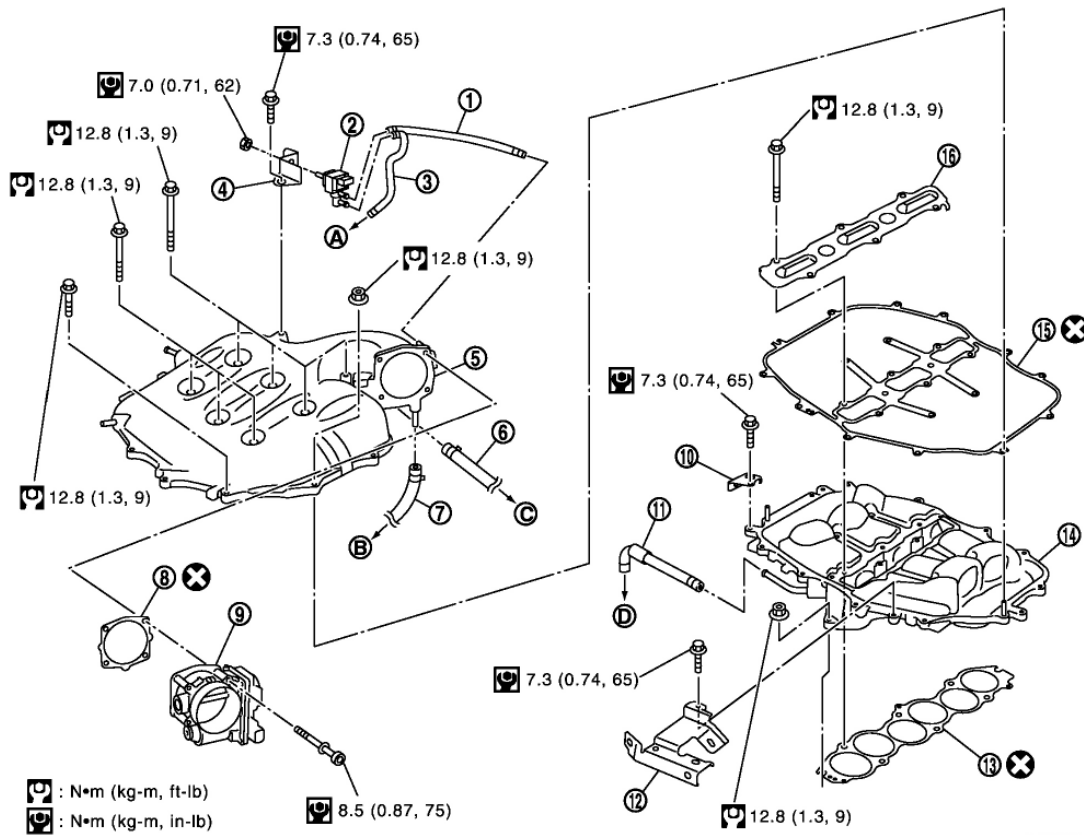
## INSTALLATION

Note the following, and install in the reverse order of removal.

- Install the air cleaner filter by aligning the seal with the notch of air cleaner case.

## INTAKE MANIFOLD COLLECTOR

### COMPONENTS



KBIA3590J

- |                                     |  |                                       |
|-------------------------------------|--|---------------------------------------|
| 1. Vacuum hose                      | 2. EVAP canister purge volume control solenoid valve | 3. Vacuum hose                        |
| 4. Bracket                          | 5. Intake manifold collector (upper)                 | 6. Water hose                         |
| 7. Water hose                       | 8. Gasket  | 9. Electric throttle control actuator |
| 10. Bracket                         | 11. PCV hose   | 12. Bracket                           |
| 13. Gasket                          | 14. Intake manifold collector (lower)                | 15. Gasket                            |
| 16. Intake manifold collector cover |  |                                       |
- A. To vacuum pipe      B. To water outlet      C. To heater pipe  
D. To PCV valve

**Fig. 13: Identifying Intake Manifold Collector Components With Torque Specifications**  
 Courtesy of NISSAN MOTOR CO., U.S.A.

- Refer to "**COMPONENTS**" for symbol marks in the figure.

## REMOVAL AND INSTALLATION

### REMOVAL

**WARNING:**

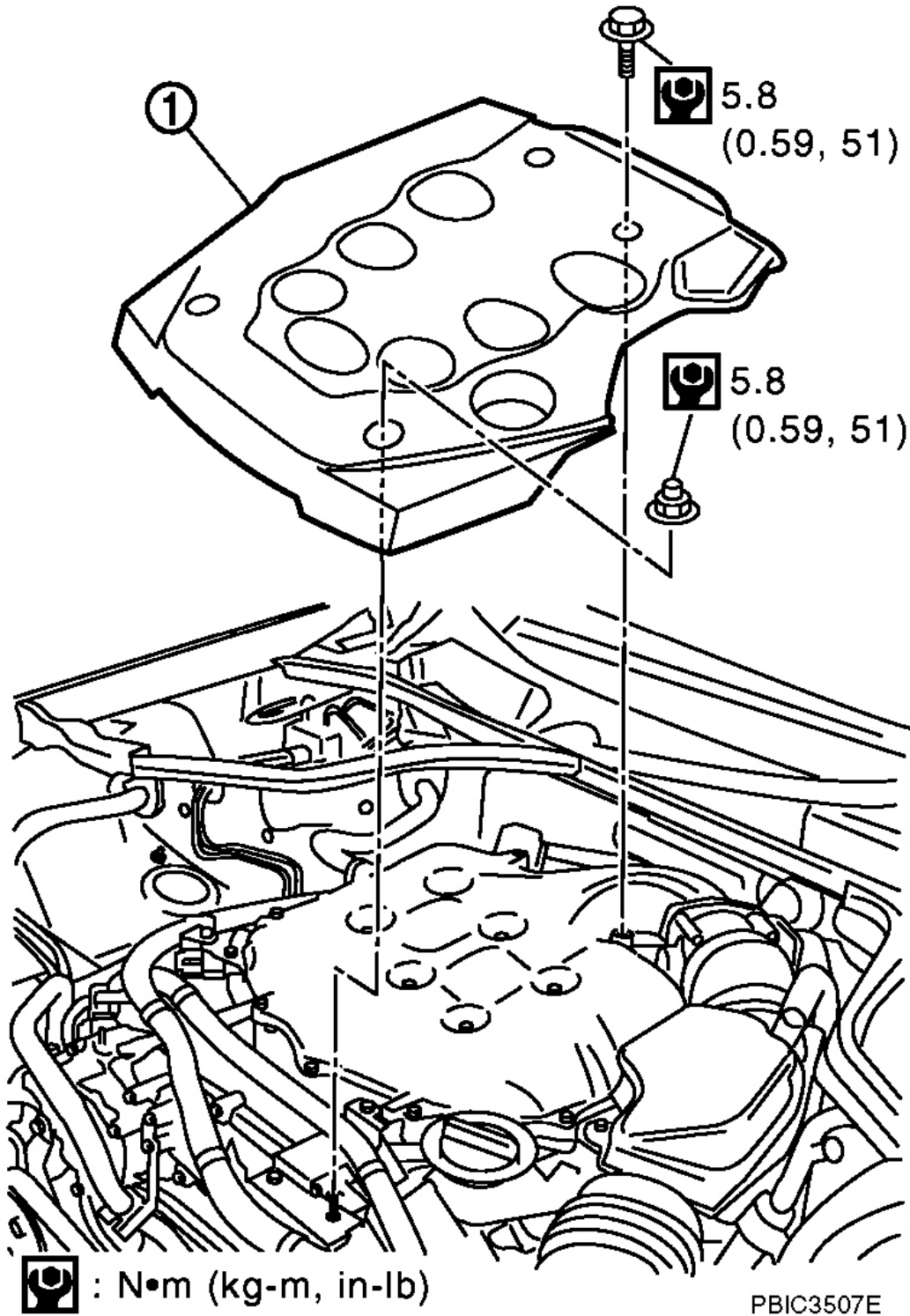
- To avoid the danger of being scalded, never drain engine coolant when the engine is hot.
- Gasket for intake manifold collector (upper) is secured together with mounting bolt for intake manifold collector (lower). Thus, even when

**only gasket for upper side is replaced, gasket for lower side must be also replaced.**

1. Remove engine cover (1) with power tool.

2006 Infiniti M35

2006 ENGINE Engine Mechanical - VQ35DE - M35-M45



**Fig. 14: Removing Engine Cover Using Power Tool With Torque Specifications**

Courtesy of NISSAN MOTOR CO., U.S.A.

2. Disconnect water hoses from intake manifold collector (upper), attach blind plug to prevent engine coolant leakage.

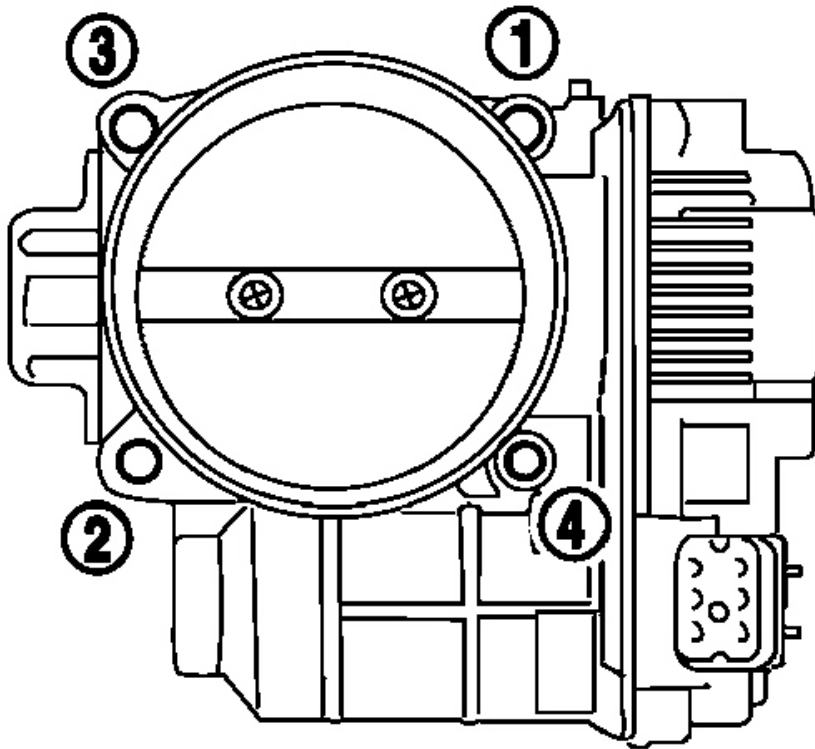
**CAUTION:**

- Perform this step when the engine is cold.
- Do not spill engine coolant on drive belts.

3. Remove air cleaner case and air duct. Refer to , "[AIR CLEANER AND AIR DUCT](#)".
4. Remove electric throttle control actuator as follows:
  - a. Disconnect harness connector.
  - b. Loosen mounting bolts in reverse order as shown in the figure.

**CAUTION:**

- Handle carefully to avoid any shock to electric throttle control actuator.
- Do not disassemble.

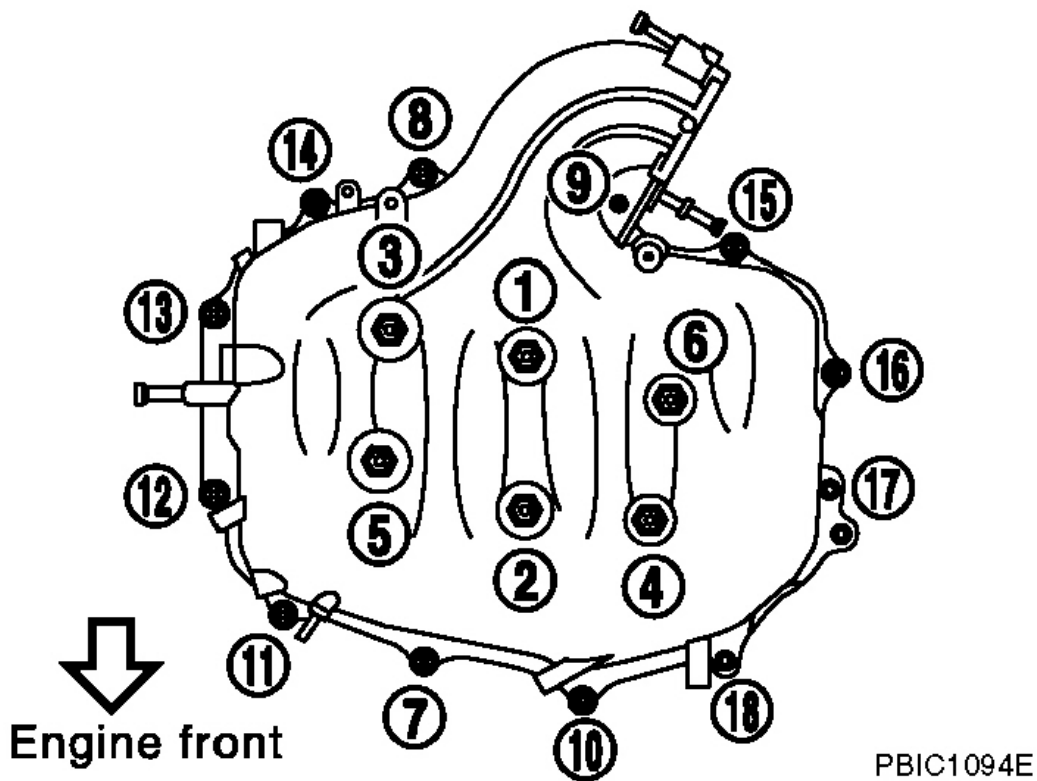


KBIA0957E

**Fig. 15: Identifying Mounting Bolts**

Courtesy of NISSAN MOTOR CO., U.S.A.

5. Remove fuel sub-tube mounting bolt to disconnect from rear of intake manifold collector (lower). Refer to , "**FUEL INJECTOR AND FUEL TUBE**".
6. Disconnect vacuum hose from intake manifold collector (upper).
7. Remove EVAP canister purge volume control solenoid valve and bracket mounting bolt from intake manifold collector (upper).
8. Loosen mounting bolts in reverse order of illustration to remove intake manifold collector (upper) with power tool.

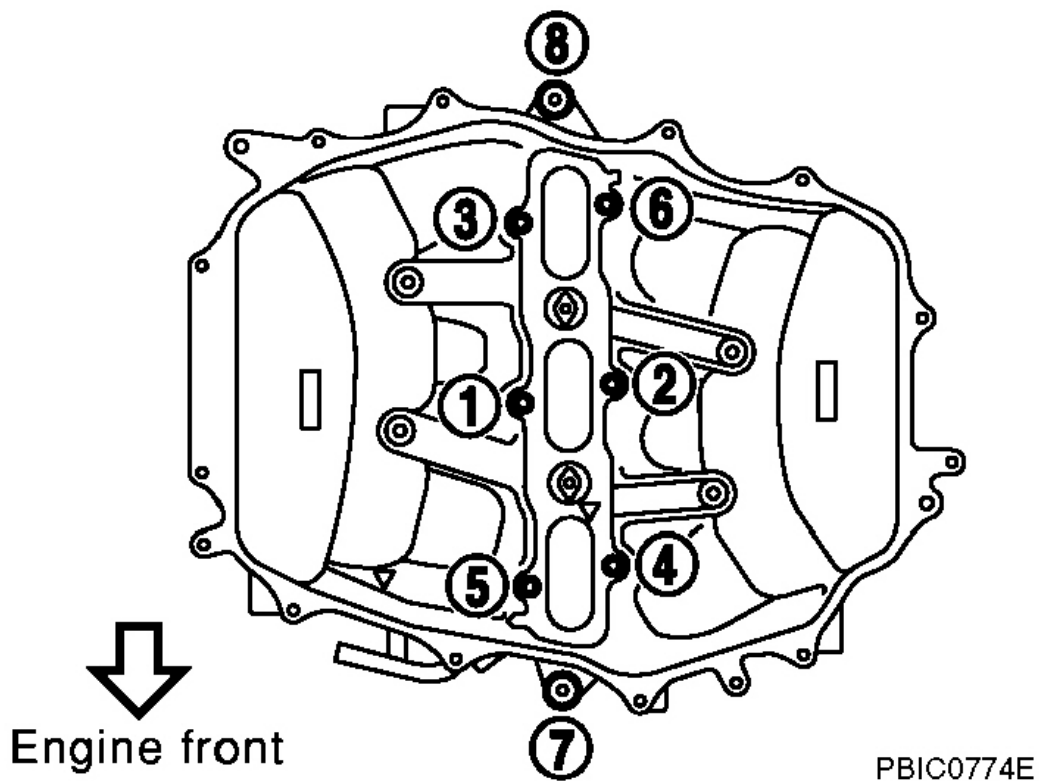


**Fig. 16: Identifying Intake Manifold Collector (Upper)**

Courtesy of NISSAN MOTOR CO., U.S.A.

9. Remove PCV hose [between intake manifold collector (lower) and rocker cover (right bank)].
10. Loosen mounting bolts in reverse order as shown in the figure, and remove intake manifold collector cover, gasket, intake manifold collector (lower) and gasket with power tool.

**CAUTION: Cover engine openings to avoid entry of foreign materials.**



**Fig. 17: Identifying Intake Manifold Collector (Lower)**

Courtesy of NISSAN MOTOR CO., U.S.A.