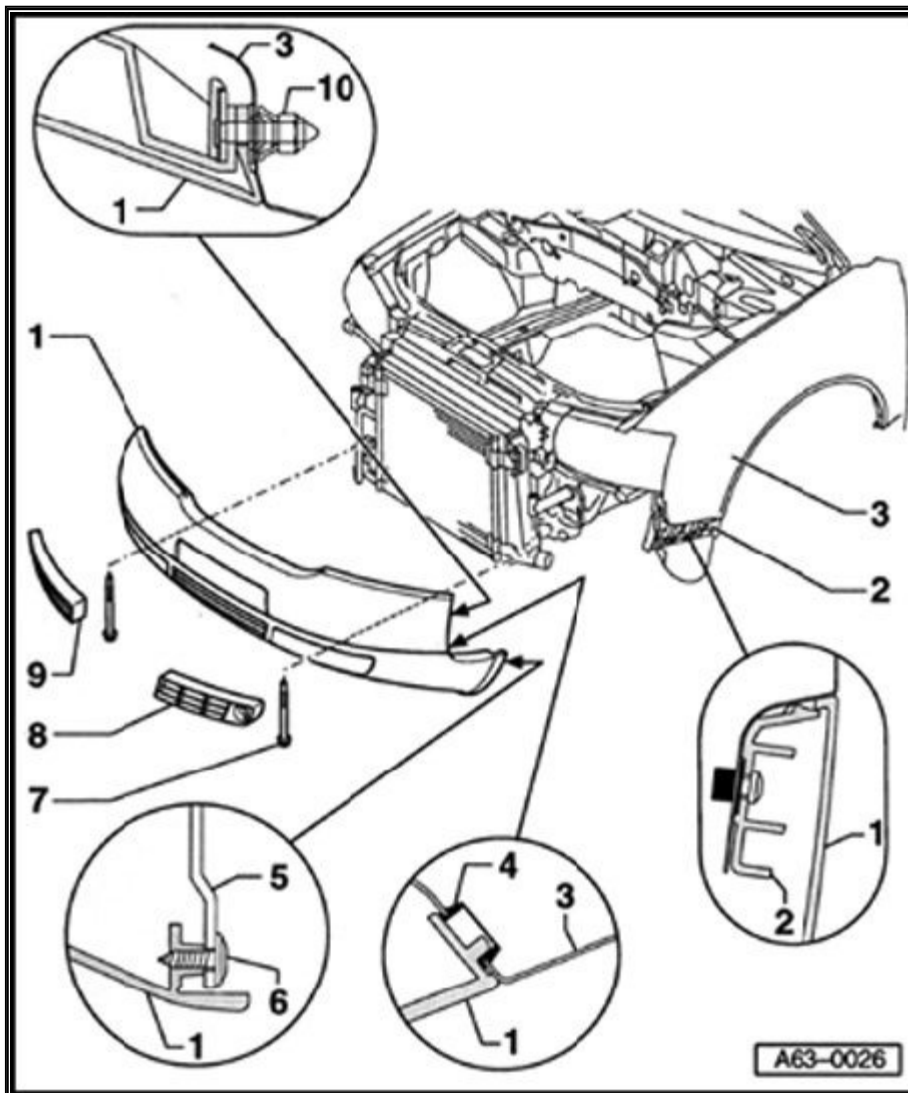


## Front [Bumper](#)

### Front [Bumper](#), Removing, Installing And Assembly Overview



Zoom

Sized for Print

1 - Bumper cover

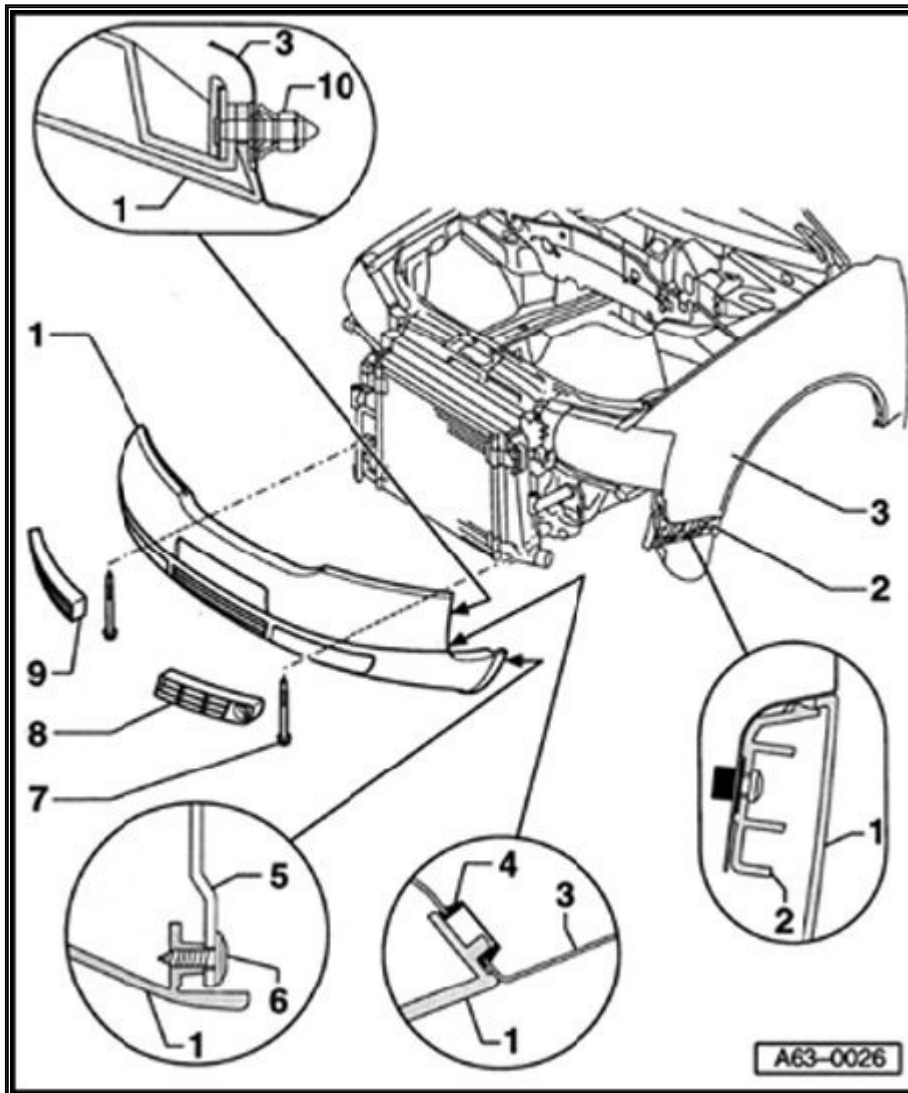
#### Removing:

- Front tires removed
- Front half of wheelhousing loosened.
- Unscrew flanged nuts - 10 - on both sides.
- Unscrew screw w/washer assembly - 6 - from wheelhousing liner - 5 -.
- Remove socket-head bolts - 7 - and remove bumper cover together with impact absorber toward front.

Installing:

**NOTE:**

- Before installing the [bumper](#), the expanding clips must be pressed in to the [fender](#).
- When installing the tabs, the bumper cover must latch into clip - 4 -.



Zoom

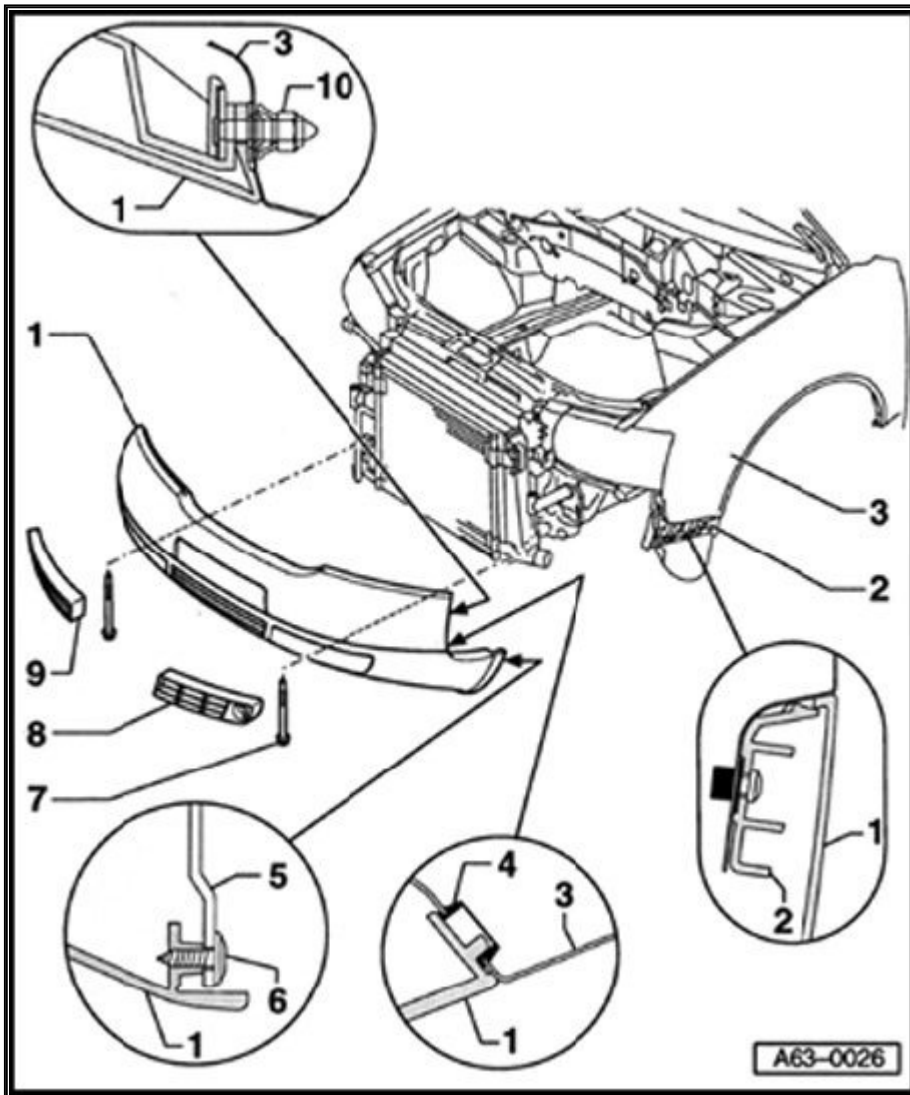
Sized for Print

- Latch bumper cover - 1 - into guide - 2 -.
- Tighten flanged nuts - 10 - to **6 Nm (53 in.lb)** .
- Screw in socket-head bolt - 7 - and tighten to **23 Nm (17 ft lb)** .

**NOTE :** The impact absorber is installed vertical to the cross member and has height compensating elements.

- 2 - Guide
- 3 - Fender
- 4 - Clip

- When installing bumper cover - 1 -, tab must latch into clip - 4 -



Zoom

Sized for Print

- 5 - Wheelhousing liner
- 6 - Screw w/washer assembly

- **1 Nm (9 in.lb)**

7 - Socket-head bolt

- Install after [bumper](#) installation
- Height adjustment to cross member is selfcompensating.

8 - Air inlet grill

9 - Air inlet grill

10 - Flanged nut

- **6 Nm (53 in.lb)**