

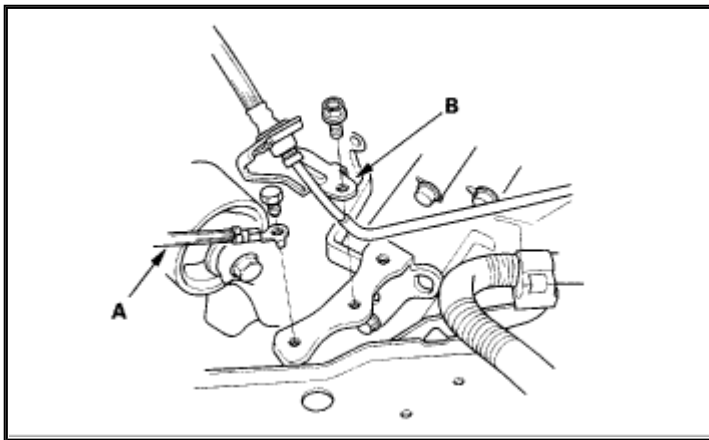
## Transmission Removal

### Special Tools Required

- Engine hanger support bar 07AAK-S5AA000
- Engine hanger, A and Reds AART 1256
- Subframe adapter, EQS-0ZACVC0 \*
- Available through the Honda Tool and Equipment Program, 888-424-6857

**NOTE:** Use fender covers to avoid damaging painted surfaces.

1. Write down the frequencies for the radio's preset buttons. Disconnect the negative (-) cable first, then the positive (+) cable from the battery. Remove the battery.
2. Remove the intake air duct.
3. Remove the air cleaner housing.

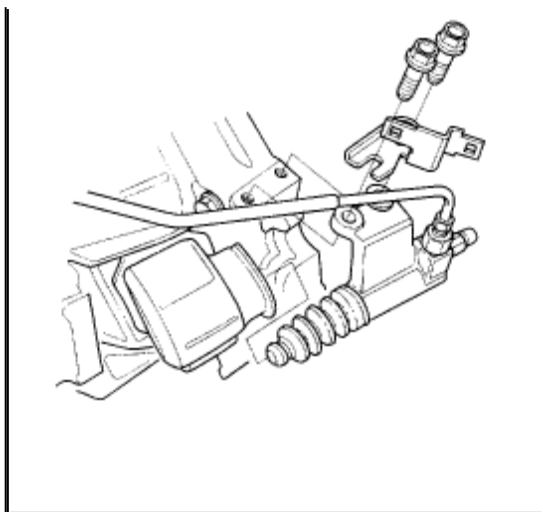


Zoom

Sized for Print

4. Disconnect the transmission ground cable(A), then remove the clutch line bracket (B).

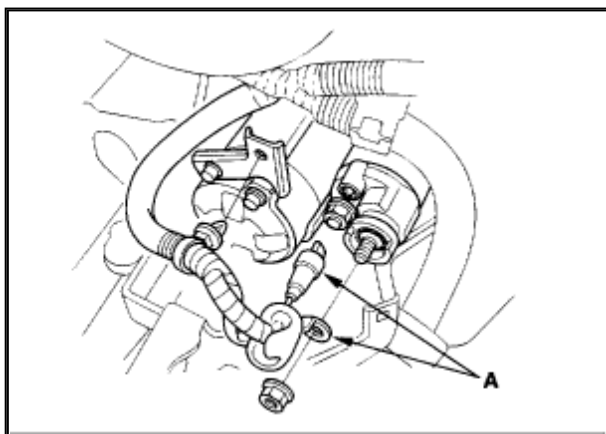




Zoom

Sized for Print

5. Carefully remove the slave cylinder so as not to bend the clutch line. Do not operate the clutch pedal once the slave cylinder has been removed.

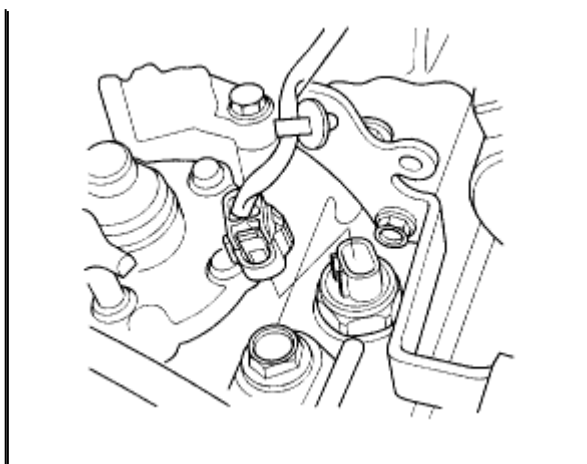


Zoom

Sized for Print

6. Disconnect the starter motor cables (A).

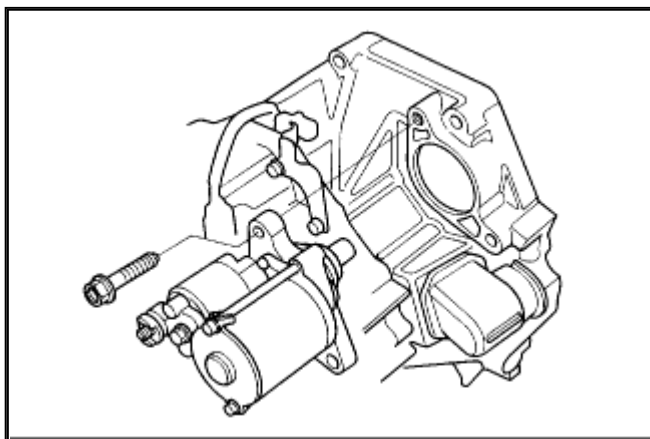




Zoom

Sized for Print

7. Disconnect the back-up light switch connector.

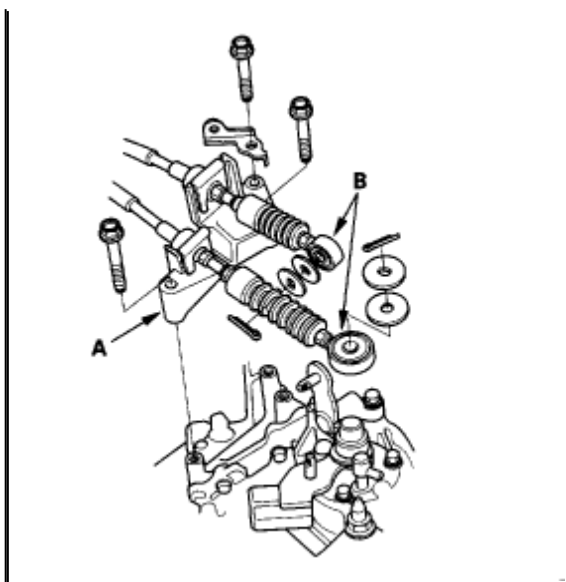


Zoom

Sized for Print

8. Remove the starter motor.

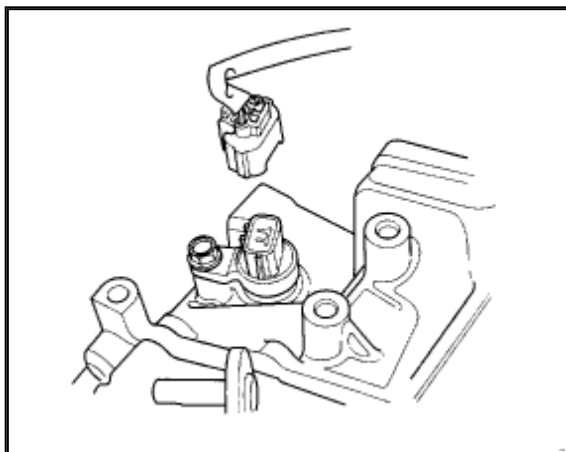




Zoom

Sized for Print

9. Remove the cable bracket (A), then disconnect the cables (B) from the top of the transmission housing. Carefully remove both cables and the bracket together so as not to bend the cables.

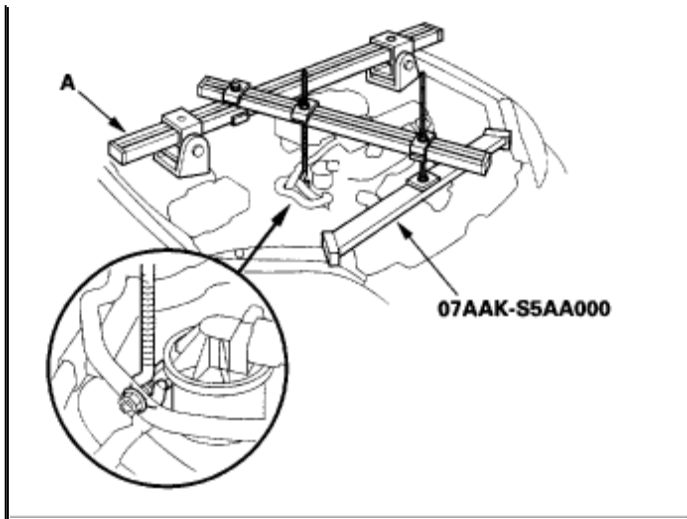


Zoom

Sized for Print

10. Disconnect the vehicle speed sensor (**VSS**) connector.





Zoom

Sized for Print

11. Lift and support the engine with an hanger (A), and special tool.