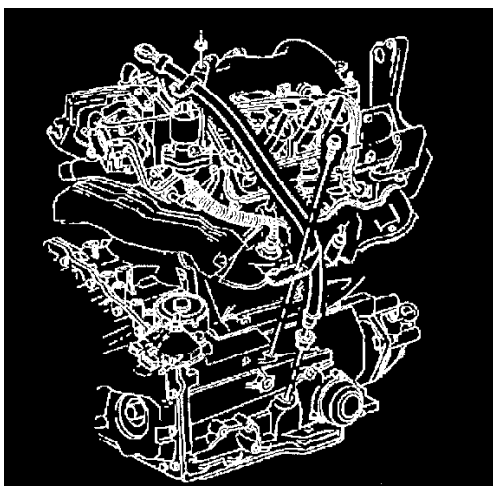


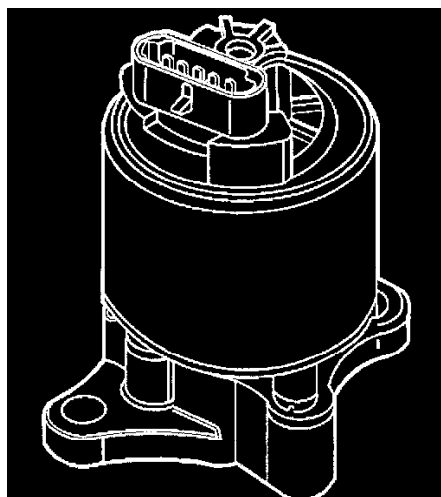
EGR Valve: Service and Repair

REMOVAL PROCEDURE



1. Disconnect the electrical connector at EGR valve.
2. Remove the 2 EGR Valve retaining nuts.
3. Remove the Linear EGR valve assembly.
4. Remove the gasket.

INSTALLATION PROCEDURE



1. Clean the intake surface and install the gasket.

NOTE: Refer to Fastener Notice in Service Precautions.

2. Install the linear EGR valve assembly and two bolts.

Tighten

Tighten the nuts to **30 N.m (22 lb. ft.)**.

3. Connect the electrical connector.