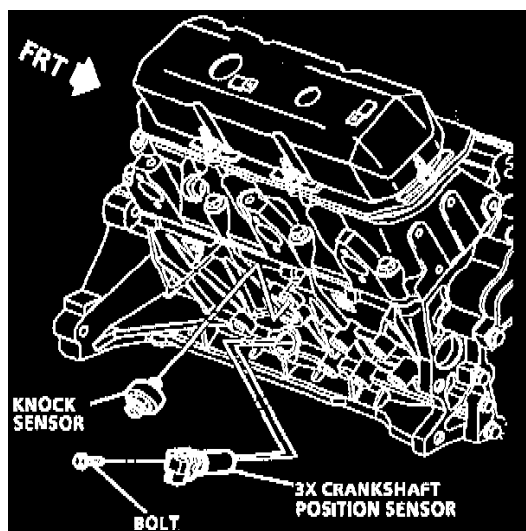


Crankshaft Position Sensor: Service and Repair

Crankshaft Position Sensor Replacement (3X)



3X Crankshaft Position Sensor

REMOVE OR DISCONNECT

1. Disconnect negative battery cable.
2. Remove starter motor.
3. Disconnect sensor harness connector at module.
4. Remove sensor to block bolt.
5. Remove sensor from engine.

Inspect

Inspect sensor O-ring for wear, cracks or leakage. Replace as needed. Lube new O-ring with clean engine oil before installing.

INSTALL OR CONNECT

1. Sensor into block.
2. Install bolt.

Tighten

Bolt to **8 Nm (71 lb. in.)**

3. Connect sensor harness connector at module.
4. Install starter motor.
5. Connect negative battery cable.