

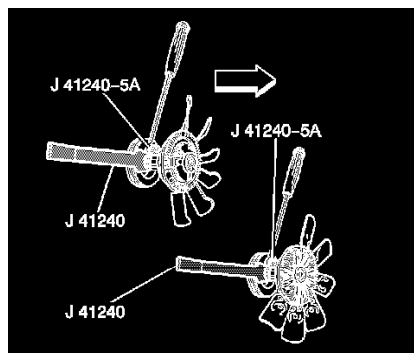
Fan Clutch: Service and Repair

Fan Clutch Replacement

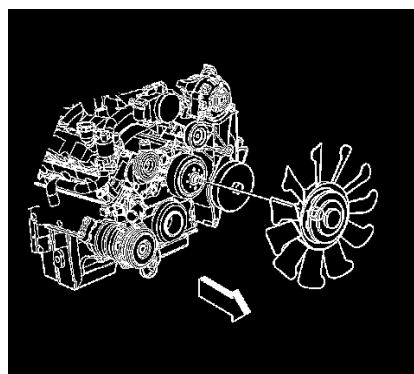
^ Tools Required

- J 46406 Fan Clutch Remover and Installer
- J 41240-5A Fan Clutch Wrench

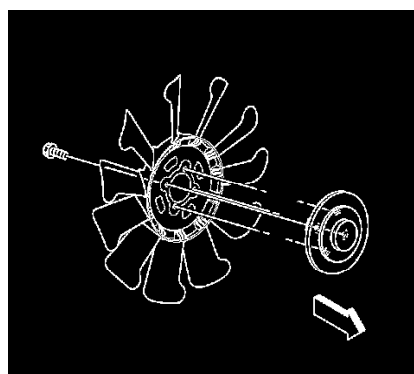
Removal Procedure



1. Remove the upper fan shroud.
2. Install the J 46406 and the J 41240-5A to the fan clutch.

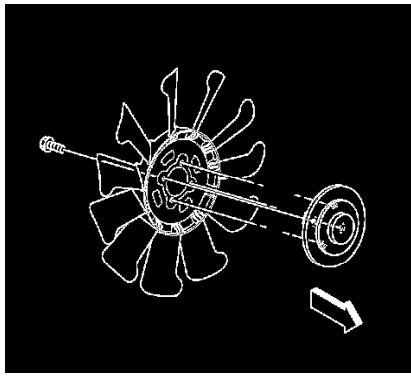


3. Remove the fan hub nut from the water pump in a counterclockwise rotation.
4. Lay the fan blade face down on a workbench.



5. Remove the fan clutch bolts from the rear of the fan blade.
6. Separate the fan clutch from the fan blade.

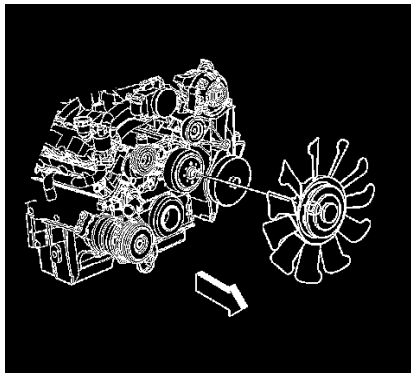
Installation Procedure



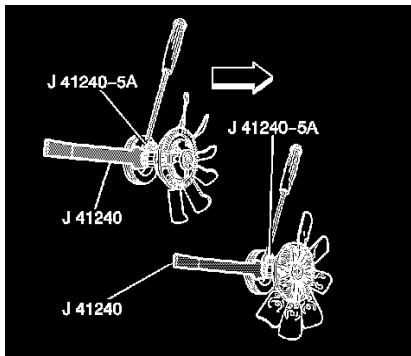
1. Install the fan clutch bolts.
2. Install the fan clutch onto the fan blade.

Notice: Refer to Fastener Notice in Service Precautions.

3. Install the fan clutch bolts.
^ Tighten the bolts to **23 Nm (17 ft. lbs.)**.



4. Install the fan blade.



5. Install the J 46406 and the J 41240-5A to the fan clutch.
^ Tighten the fan clutch nut clockwise to **56 Nm (41 ft. lbs.)**.
6. Install the upper fan shroud.